

Am27S18/19

256-Bit (32 x 8) Bipolar PROM

Am27S18/19

DISTINCTIVE CHARACTERISTICS

- Ultra high speed
- Highly reliable, ultra-fast programming Platinum-Silicide fuses
- High-programming yield
- Low-current PNP inputs
- High-current open collector and three-state outputs
- Fast chip select

GENERAL DESCRIPTION

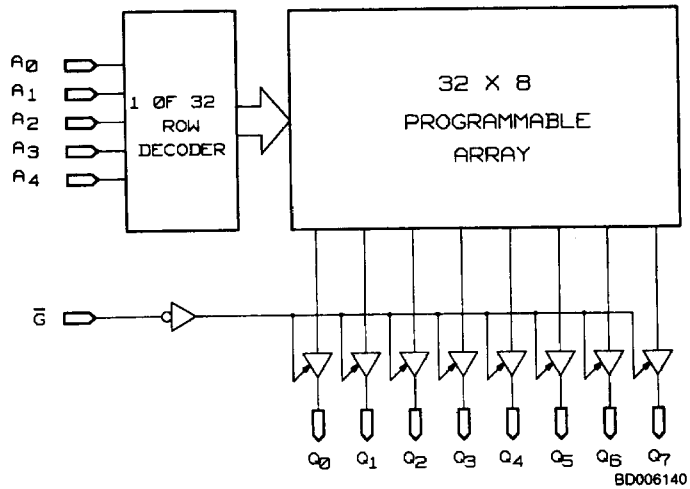
The Am27S18/19 (32-words by 8-bits) is a Schottky TTL Programmable Read-Only Memory (PROM).

This device is available in both open-collector (Am27S18) and three-state (Am27S19) output versions. These outputs are compatible with low-power Schottky bus standards capable of satisfying the requirements of a variety of

microprogrammable controls, mapping functions, code conversions, or logic replacements. Easy word depth expansion is facilitated by an active LOW output enable (\bar{G}).

This device is also available in a low-power version Am27LS18/19.

BLOCK DIAGRAM



PRODUCT SELECTOR GUIDE

Open-Collector Part Number	27S19SA		27S18A		27S18		27LS18	
Three-State Part Number	27S19SA		27S19A		27S19		27LS19	
Address Access Time	15 ns	20 ns	25 ns	35 ns	40 ns	50 ns	55 ns	70 ns
Operating Range	C	M	C	M	C	M	C	M

Publication # 03209 Rev. D Amendment /0
Issue Date: May 1986