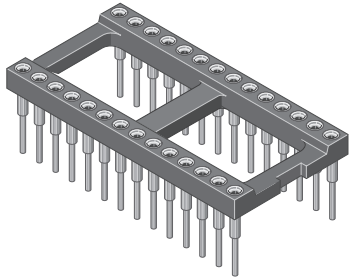


**DIL SOCKETS „THROUGH HOLE“**  
**ID: 025** MP AH-spacer

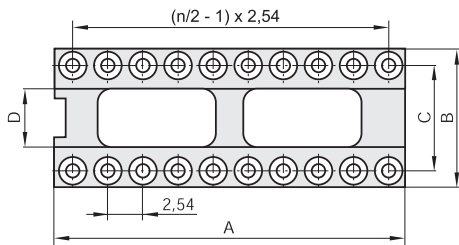
1 | 2,54 mm

Series I25

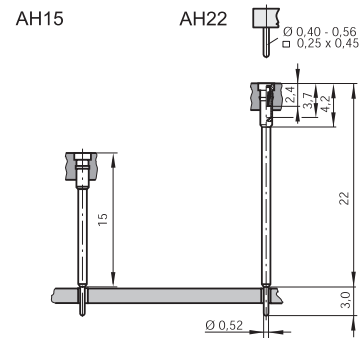
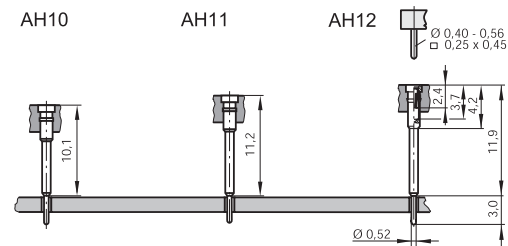
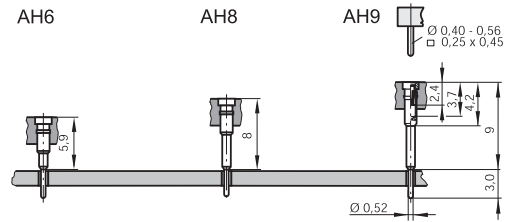


**TECHNICAL DATA**

Pitch	2,54 mm
Insulating Material	high temp. thermoplast UL94V-0
Contact Material	Brass/BeCu
Rated Current	1 Amp.
Rated Voltage	100 V <sub>RMS</sub> /150 V <sub>DC</sub>
Breakdown Voltage	min. 1000 V <sub>RMS</sub>
Operating Temperature	-55°C bis +125°C
Maximum Soldering Temperature	260°C for 10 seconds



Code	Poles	A	B	C	D
10.2	10	12,62	7,54	5,08	2,60
04.3	4	5,00	10,08	7,62	4,00
06.3	6	7,54	10,08	7,62	4,00
08.3	8	10,08	10,08	7,62	4,00
10.3	10	12,62	10,08	7,62	4,00
14.3	14	17,70	10,08	7,62	4,00
16.3	16	20,24	10,08	7,62	4,00
18.3	18	22,78	10,08	7,62	4,00
20.3	20	25,32	10,08	7,62	4,00
22.3	22	27,86	10,08	7,62	4,00
24.3	24	30,40	10,08	7,62	4,00
28.3	28	35,48	10,08	7,62	4,00
22.4	22	27,86	12,12	10,16	7,40
24.4	24	30,40	12,12	10,16	7,40
24.6	24	30,40	17,70	15,24	11,10
28.6	28	35,48	17,70	15,24	11,10
32.6	32	40,56	17,70	15,24	11,10
36.6	36	45,64	17,70	15,24	11,10
40.6	40	50,72	17,70	15,24	11,10
48.6	48	60,88	17,70	15,24	11,10
50.9	50	63,42	25,32	22,86	19,30
64.9	64	81,20	25,32	22,86	19,30



All dimensions in mm.  
 Other dimensions upon request.

MP XX.Y XXX AH XX U

Code: see table

XXX: STG = sleeve: Sn / clip: Au  
 STG 8 = sleeve: Sn / clip: 0,75µm Au

XX: please fill in length

U: RoHS-compliant with high temp. plastic