

NETWORK ICs

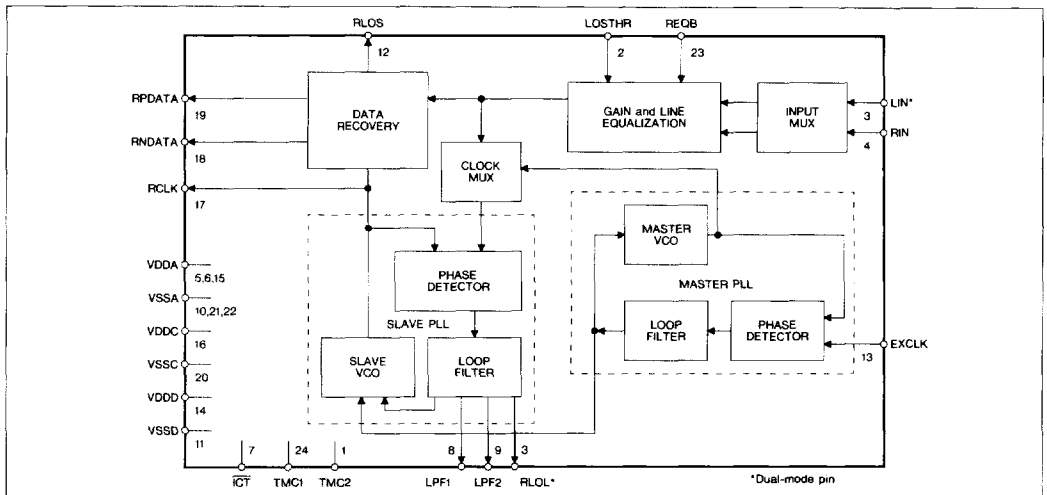
AK2500

DS3/STS-1 Analog Line Receiver



24pin SOP (8.4×15.8×2.5mm)

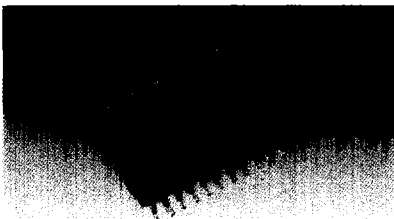
- ① Complete Analog Line Receiver for DS3 and STS-1 Applications
- ② Provides Line Equalization, and Clock and Data Recovery Functions
- ③ The Signal Conditioning Circuit can be bypassed for OC-1 optical applications
- ④ Includes local loopback multiplexor
- ⑤ 3.3V operation
- ⑥ Package: 24 pin SOP
 - Interfacing network transmission equipment such as SONET multiplexor and M13 to a DSX-3 cross connect.
 - Interfacing customer premises equipment to a line.



AK2500 BLOCK DIAGRAM

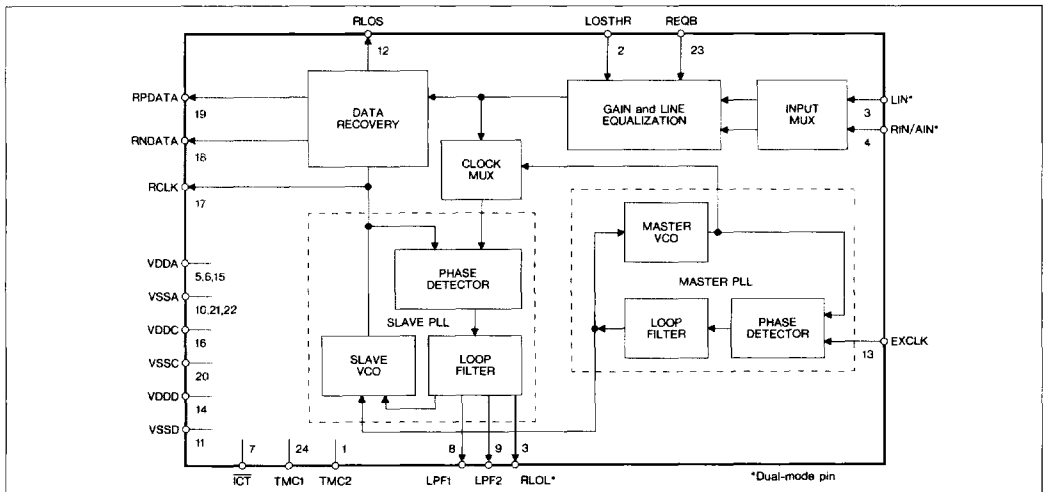
AK2501

E3 Analog Line Receiver



24pin SOP (8.4×15.8×2.5mm)

- ① Complete Analog Line Receiver E3 G.703/G.823 Applications
- ② Provides Line Equalization, and Clock and Data Recovery Functions
- ③ Includes local loopback multiplexor
- ④ 3.3V operation
- ⑤ Package: 24 pin SOP
 - Interfacing network transmission equipment.
 - Interfacing customer premises equipment to a line.



AK2501 BLOCK DIAGRAM