



Sprint - ST24K3 - 030614 - No
 (Family) (Model) (Part #) (In Stock)

Electrical Specifications

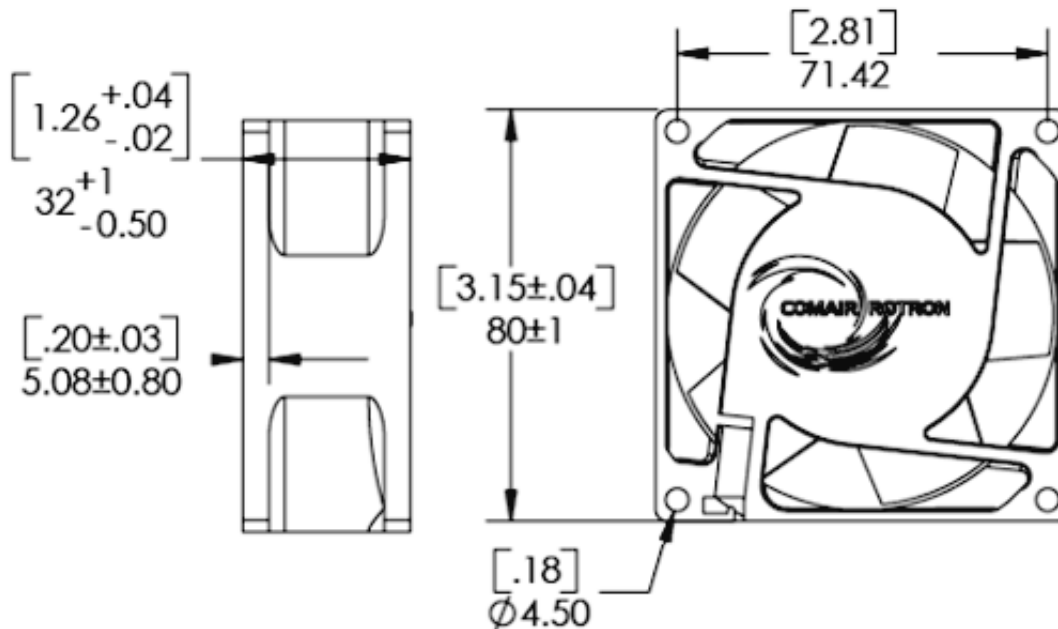
Operating Voltage: 24 Volts
 Voltage Range: 12 - 28 Volts
 Power Supply: 4.5 Watts
 Line Current: 0.19 Amps
 Locked Rotor Current: 0.65 Amps
 Nominal Speed: 4200 RPM

Mechanical Specifications

Dimensions: 3.1 x 3.1 x 1.3 in
 Weight: 6.35 oz
 Max Airflow @ 0 in H₂O: 40.0 CFM
 Max Pressure @ 0 CFM: 0.325 in H₂O
 Noise: 44.2 dBA



Mechanical Drawing



Comair Rotron, Inc.
 Phone: 619.651.2000
 sales@comairrotron.com

Comair Rotron Europe, Ltd.
 Phone: +44.1527.520525
 saleseurope@comairrotron.com

Comair Rotron Fan Company Ltd.
 Phone: +86.21.52260581
 salesasia@comairrotron.com

Print Date: Thursday, March 22, 2012 at 23:42:03 - DC Fan Datasheet - Web Version 1.0 Rev. B



Fan Performance Curve

Fan Configuration Options

Sprint **ST24K3** / **030614** **No** **305 mm [12 inch] Leads**
 (Family) (Model) (Part #) (In Stock) (Features)

Fan Speed:	4200 RPM	Fan Bearings:	Ball Bearings
Fan Airflow Direction:	Flow R (CCW Rotation)	Fan Termination:	Leads

Fan Monitoring Options: **No Fan Monitoring Options Selected**

Fan Speed Control Option: **No ThermaPro-V Fan Speed Control Options Selected**

Environmental Protection Options: **No Enviroshield Options Selected**

Comair Rotron, Inc.
 Phone: 619.651.2000
 sales@comairrotron.com

Comair Rotron Europe, Ltd.
 Phone: +44.1527.520525
 saleseurope@comairrotron.com

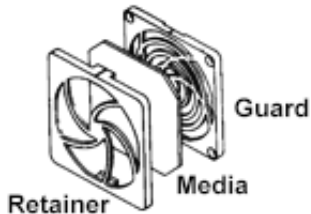
Comair Rotron Fan Company Ltd.
 Phone: +86.21.52260581
 salesasia@comairrotron.com

Print Date: Thursday, March 22, 2012 at 23:42:03 - DC Fan Datasheet - Web Version 1.0 Rev. B

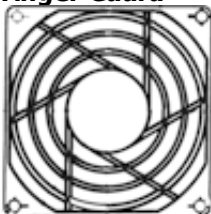


Accessories [\(Click on part number for detailed drawing.\)](#)

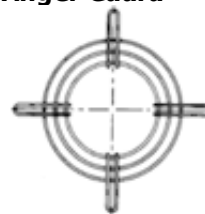
554141
Filter Guard Assembly



550648
Finger Guard



476143
Finger Guard



Comair Rotron, Inc.
Phone: 619.651.2000
sales@comairrotron.com

Comair Rotron Europe, Ltd.
Phone: +44.1527.520525
saleseurope@comairrotron.com

Comair Rotron Fan Company Ltd.
Phone: +86.21.52260581
salesasia@comairrotron.com

Print Date: Thursday, March 22, 2012 at 23:42:03 - DC Fan Datasheet - Web Version 1.0 Rev. B