

Rotette-Series



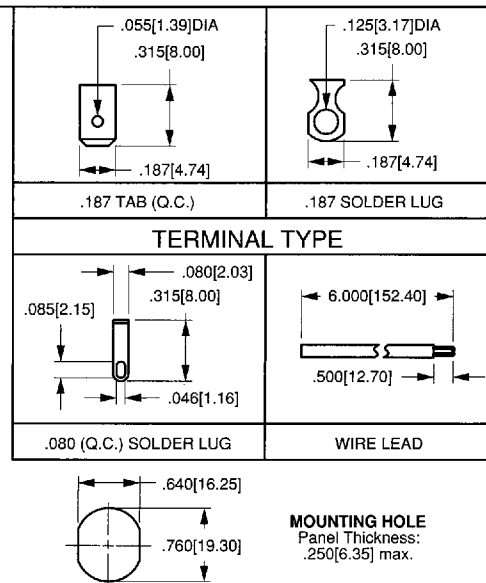
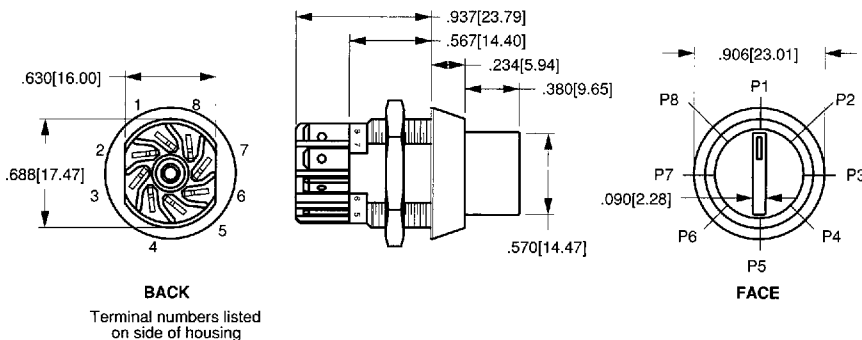
The Rotette-Series rotary switches are available with one to eight continuous rotation positions with detent positions every 45 degrees. These switches are available in single and double pole construction with ratings up to 10 amps, 20 KV anti-static discharge protection, and a variety of mountings, terminations and actuator styles.

Specifications

- Certifications*: UL, CSA
- Dielectric Strength: 1,000 V (minimum)
- Insulation Resistance: 100 Megohms (minimum)
- Anti-Static Protection: 20,000 VDC at sea level
- Base Material: Polyester
- Bezel Material: Thermoplastic

* Due to ongoing technological advances, consult factory for certification specifics.

Dimensional Specifications: in. [mm]



R	5	A	A	A	-	5	B	B	1
SERIES		ROTATION		CONTACT DETENT POSITIONS¹		RATING		BEZEL²	
R ROTARY		MAXIMUM TOTAL DEGREES OF ROTATION FOR 2 POLE CIRCUITS IS 135°.		"ON" POSITIONS		1 0.4VA MAX @ 20V		MATTE FINISH THERMOPLASTIC	
POLES/ACTUATOR POSITION				A		3 3A 250VAC 6A 125VAC 6A 28VDC		B BLACK W WHITE	
5 1 POLE "ON" AT 0° POSITION (CLOSED CIRCUIT BETWEEN TERMINALS 1 & 2)	A 45°			TERMINATION		5 5A 250VAC 10A 125VAC 10A 28VDC		ACTUATOR²	
6 2 POLE "ON" AT 0° POSITION (CLOSED CIRCUIT BETWEEN TERMINALS 1 & 2 AND TERMINALS 5 & 6)	B 90°			A .187 QUICK CONNECTS W/ TERMINAL BARRIERS		6 1ST POLE: 3A 250VAC 6A 125VAC 6A 28VDC		MATTE FINISH THERMOPLASTIC	
	C 135°			B SOLDER LUGS W/ TERMINAL BARRIERS		2ND POLE: 0.4VA MAX @ 20V		B BLACK W WHITE	
	D 180°			C .080 QUICK CONNECTS/ SOLDER LUG W/ TERMINAL BARRIERS		9 1ST POLE: 5A 250VAC 10A 125VAC 10A 28VDC		MOUNTING	
	E 225°			F WIRE LEADS		2ND POLE: 0.4VA MAX @ 20V		1 3/4" HOLE MOUNTING WITH HEX NUT	
	F 270°								
	G 315°								
	Z 360°								

NOTES:
1 Numbers refer to terminals connected. In a 2 pole switch, terminals directly opposing will also be connected.
2 Custom colors are available. Consult factory.