

## Universal Telephone IC – All Functions Integrated

### Description

TEMIC's low-voltage telephone circuit U3762MB performs all the speech and line interface functions required in an electronic telephone set, the tone ringer, the

pulse and DTMF dialing with redial. Operation below 15 mA is possible with reduced performance (no dialing).

### Features

#### Speech Circuit

- Adjustable DC characteristic
- Symmetrical input of microphone amplifier
- Receiving amplifier for dynamic or piezo-electric earpieces
- Automatic line-loss compensation
- Anti-clipping in transmit direction

#### Tone Ringer

- 2-tone ringer
- Adjustable volume
- RC oscillator
- Adjustable threshold

#### Dialer

- DTMF / pulse switchable
- Pulse dialing 66/33 or 60/40 or DTMF dialing selectable by pin
- Flashing time duration 98 ms
- Pause function
- Last number redial up to 32 digits
- Standard low-cost crystal 3.57 MHz or ceramic resonator
- Key tone

#### Benefits

- Low number of external components
- High quality through one IC solution

### Ordering Information

Type	Package	Remarks
U3762MB-MFN	SSO44	
U3762MB-MFNG3	SSO44	Taped and reeled

## Block Diagram / Applications

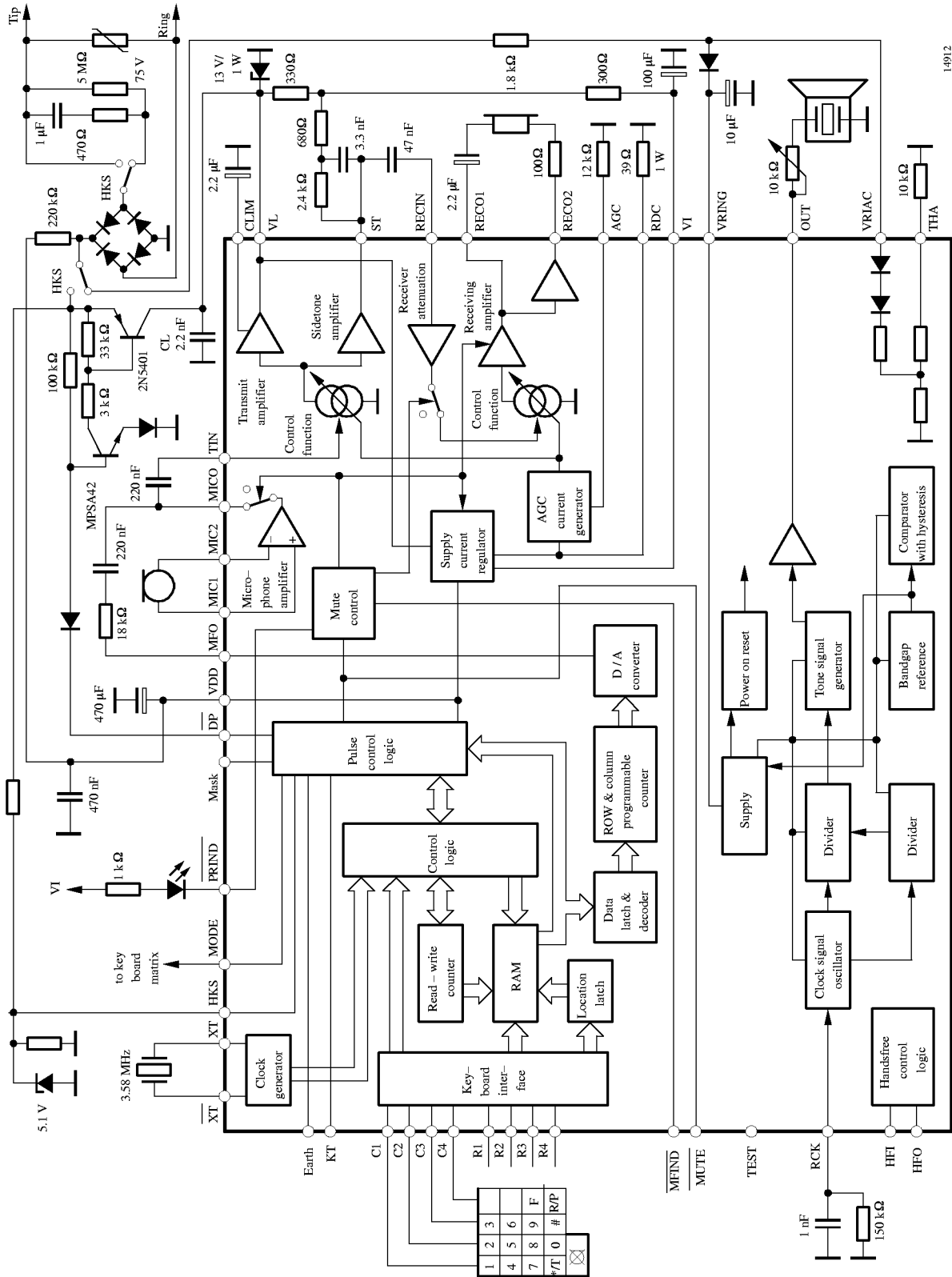
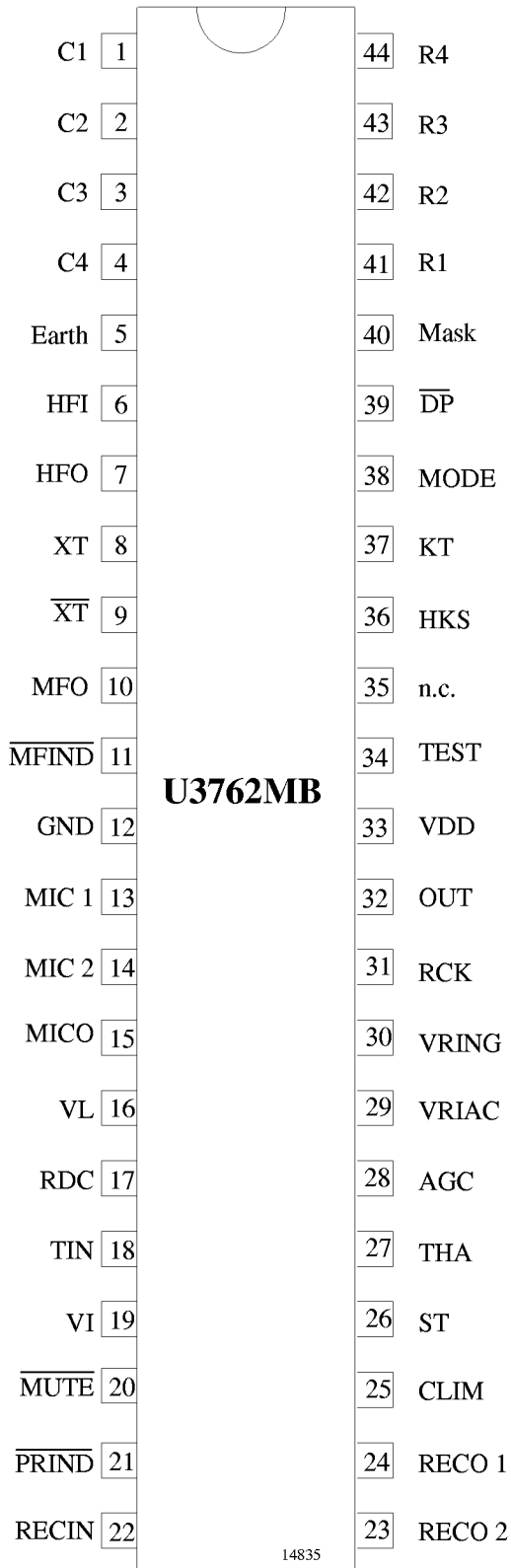


Figure 1.

**Pin Description**



Pin	Symbol	Function	Configuration
1	C1	Keyboard input	
2	C2		
3	C3		
4	C4		
5	Earth	Earth key ( 604 ms high pulse, 1 s pause)	
6	HFI	Input with 200 kΩ pull-down resistor. HFI triggers HFO with each LH edge.	
7	HFO	Output will be toggled by each LH edge at HFI.	
8	XT	A built-in inverter provides oscillation with an inexpensive 3.579545-MHz crystal or ceramic resonator	
9	$\overline{XT}$		
10	MFO	Output of DTMF DTMF output frequency	
		Specified    Actual    Error	
		(Hz)      (Hz)      (%)	
	R <sub>1</sub>	697      699      +0.28	
	R <sub>2</sub>	770      766      -0.52	
	R <sub>3</sub>	852      848      -0.47	
	R <sub>4</sub>	941      940      -0.10	
	C <sub>1</sub>	1209     1216     +0.57	
	C <sub>2</sub>	1336     1332     -0.30	
	C <sub>3</sub>	1477     1472     -0.34	

Pin	Symbol	Function	Configuration
11	$\overline{\text{MFIND}}$	Output switches to low being in temporary DTMF mode. Reset by on hook condition.	
12	GND	Ground	
13	MIC 1	Inverting input of microphone amplifier	
14	MIC 2	Non-inverting input of microphone amplifier	
15	MICO	Transmit pre-amp output which is normally capacitively coupled to Pin TIN	
16	VL	Positive supply voltage input to the device. The current through this pin is modulated by the transmit signal.	
17	RDC	An external resistor (1 W) is required from this pin to GND to control the DC input impedance of the circuit. It has a nominal value of 39 $\Omega$ for low-voltage operation. Values up to 100 $\Omega$ may be used to increase the available transmit output voltage swing at the expense of low-voltage operation.	
18	TIN	Input to the line output driver amplifier. Transmit AGC applied to this stage.	

Pin	Symbol	Function	Configuration
19	V <sub>I</sub>	This internal voltage bias line must be connected to VL via an external resistor which dominates the AC input impedance of the circuit and should be 680 Ω for an 600-Ω input impedance or 1.2 kΩ for a 900-Ω input impedance.	
20	MUTE	Pin for testing	
21	PRIND	PRIVACY indication pin Open collector with minimum 1 mA drive current to GND when PRIVACY = active	
22	RECIN	Receive amplifier input. The receiving amplification is regulated by an AGC.	
23	RECO2	Output of the receive amplifier. Dynamic transducers with a minimum impedance of 100 Ω can be directly driven by these outputs.	
24	RECO1		
25	CLIM	Time constant of anticlipping in transmit path. CLIM ≥ 2.2 μF CLIM = GND: anticlipping inactive	
26	ST	The output of the sidetone cancellation signal, which requires a balanced impedance of 8 to 10 times the subscribers line impedance to be connected to Pin VL.	
27	THA	Ringer threshold adjustment	
28	AGC	The range of transmit and receive gain variations between short and long loops may be adjusted by connecting a resistor R <sub>AGC</sub> from this pin to (GND). This pin can be left open to set AGC out of action.	
29	VRIAC	Ringing supply	

Pin	Symbol	Function	Configuration
30	VRING	DC supply voltage for the tone ringer is limited to 30 V with integrated Z-diode.	
31	RCK	RC clock oscillator for ringer	
32	OUT	Buzzer output	
33	VDD	Supply output for dialer part	
34	TEST	TEST input with 6.25 kΩ pull-up resistor	
35	n.c.	Not connected	
36	HKS	Hook switch input. HKS = 0: On-hook state. Chip in sleep mode, no operation (with a pull-down resistor of about 400 kΩ). HKS = 1: Off-hook state. Chip enable for normal operation.	
37	KT	Keytone output only sent out in pulse mode	

Pin	Symbol	Function	Configuration
38	MODE	Pulling MODE pin to: C3 tone mode with 87 ms burst time and 140 ms pause C4 tone mode with 87 ms DTMF burst and 87 ms pause R1 pulse mode with 20 pps, Make/Break = 40/60 R2 pulse mode with 20 pps, Make/Break = 33/66 R3 pulse mode with 10 pps, Make/Break = 40/60 R4 pulse mode with 10 pps, Make/Break = 33/66 C1 pulse mode with 10 pps, Make/Break = 33/66 and temp. DTMF with 87 ms DTMF burst, 140 ms pause MODE pin pulled to R4: with temporary DTMF, 87 ms DTMF burst and 87 ms pause	
39	$\overline{DP}$	Pulse dialing output. Flash key will cause $\overline{DP}$ to be active in either DTMF mode or pulse mode. In On-hook state is $\overline{DP} = VDD$ .	
40	Mask	Short mute during pulse dialing, active high	
41	R1	Keyboard input	
42	R2		
43	R3		
44	R4		

## Keyboard Operation

C1	C2	C3	C4	
1	2	3		R1
4	5	6		R2
7	8	9	F	R3
*/T	0	#	R/P	R4
⊗				

- R/P: Redial and pause function key
- F: Flash key
- \*/T: \* function;  
pulse-to-tone function
- ⊗ : hand set, MIC mute

## Normal Dialing

OFF HOOK , D1 , D2 , ..., Dn

1. D1, D2, ..., Dn will be dialed out.
2. Dialing length is unlimited, but redial is inhibited if length oversteps 32 digits.
3. If redialing length oversteps 32 digits, the redialing function will be inhibited.

## Redialing

OFF HOOK , D1 , D2 , ..., Dn BUSY, Come ON HOOK , OFF HOOK , R/P

The R/P key can execute the redial function only as the first key-in after off-hook; otherwise, it executes the pause function (3.6 s).

Keys stored in redial memory: 0 to 9, \*, #, R/P, F

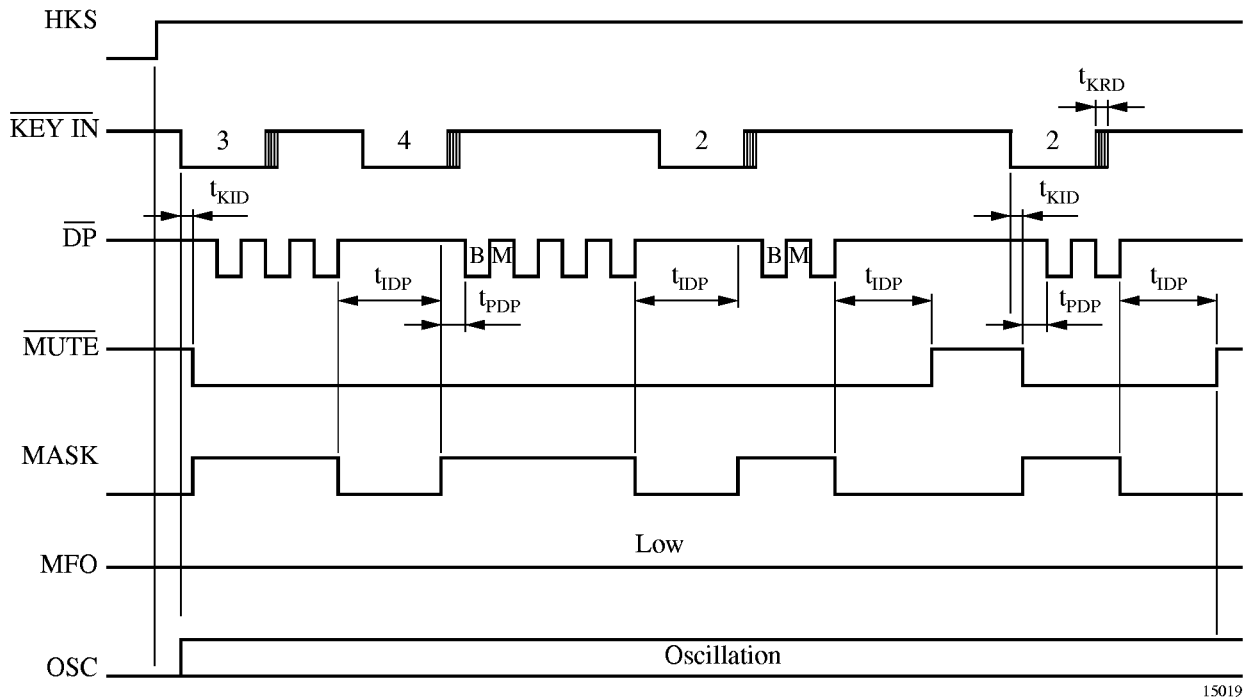


Figure 2. Pulse mode normal dialing

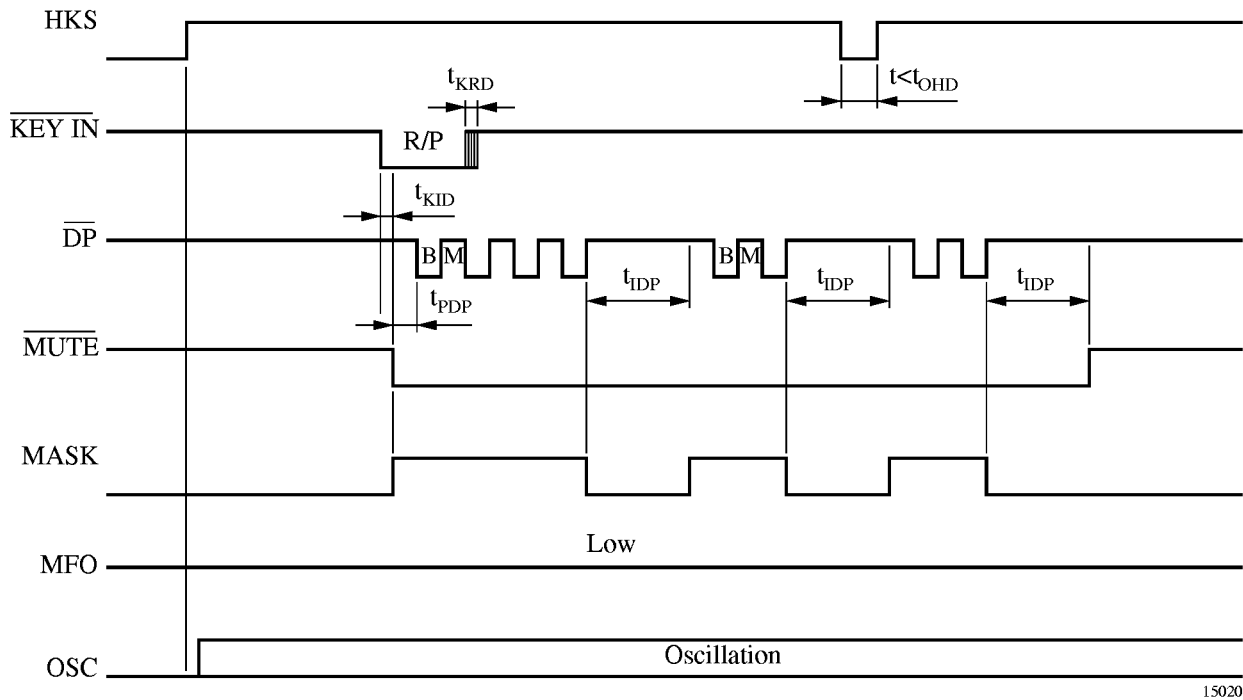


Figure 3. Pulse mode auto dialing

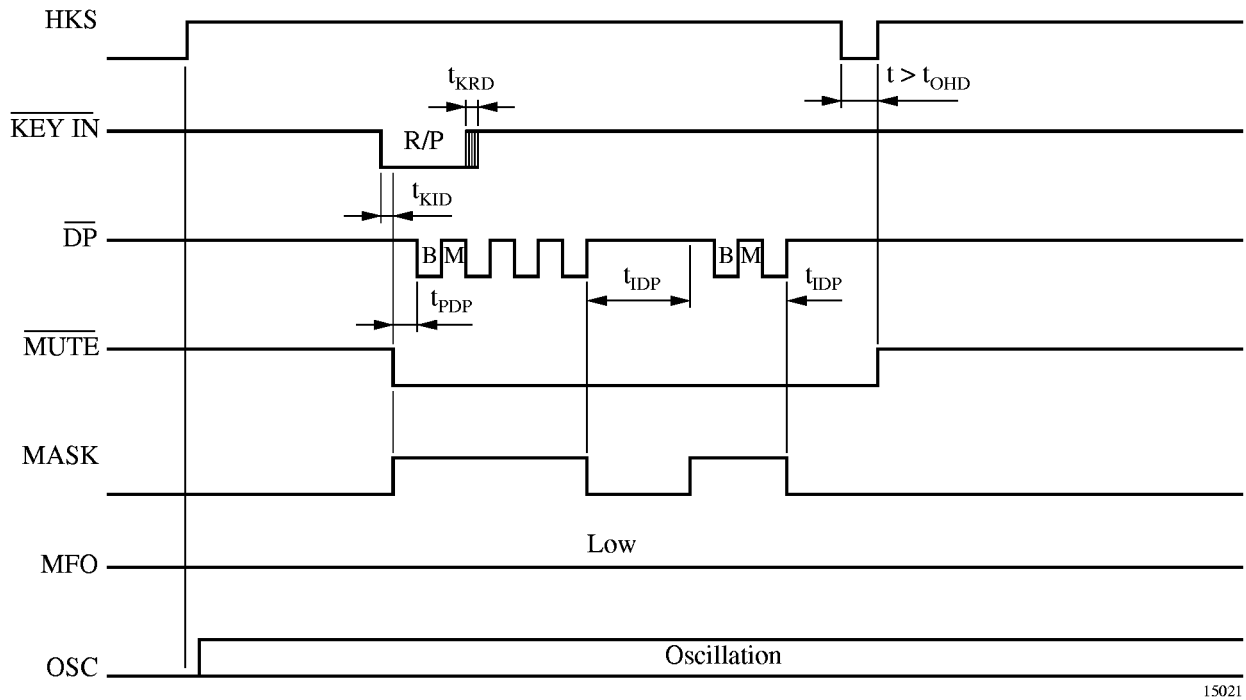


Figure 4. Pulse mode auto dialing

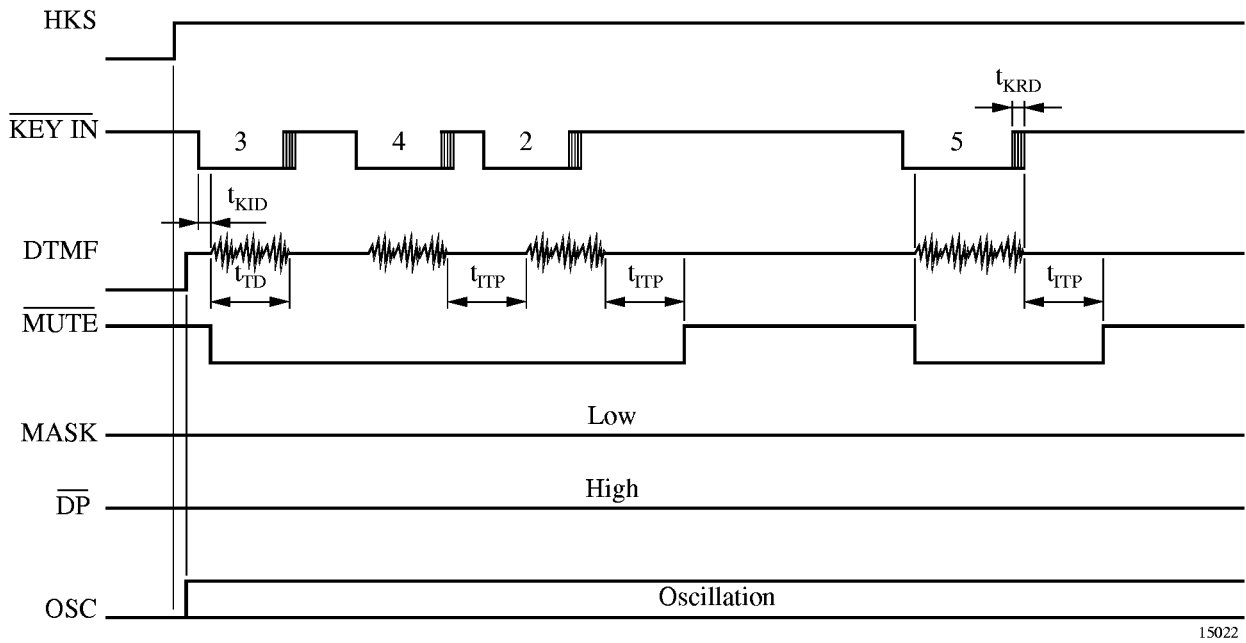


Figure 5. DTMF mode normal dialing

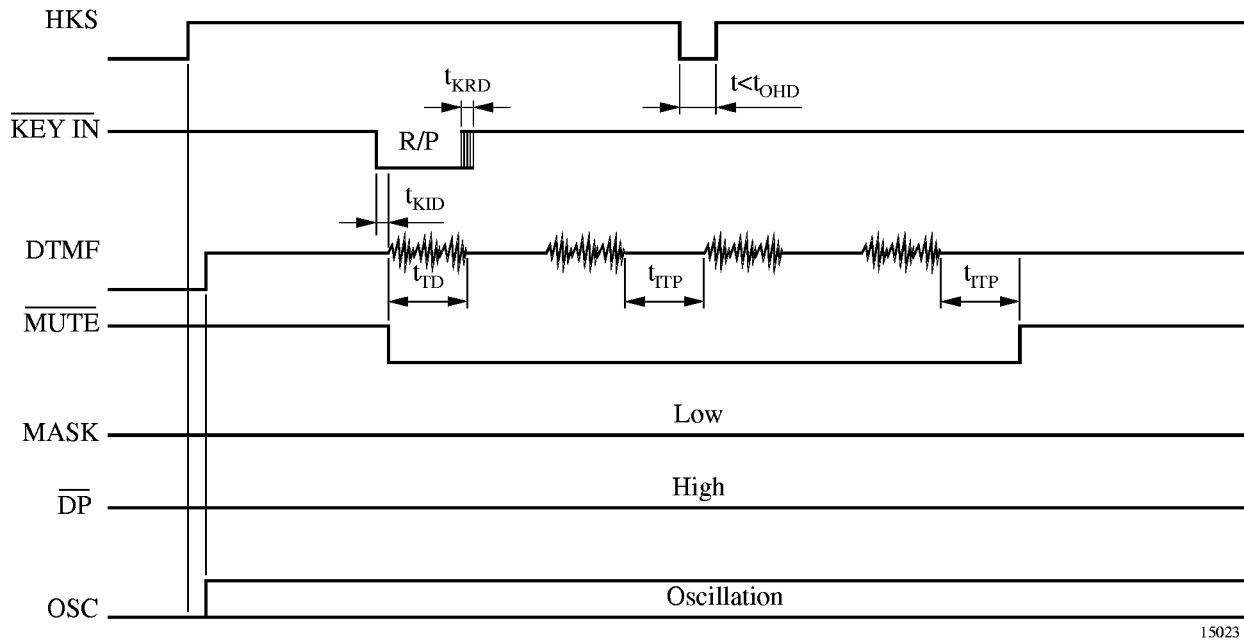


Figure 6. DTMF mode auto dialing ( $t < t_{OHD}$ )

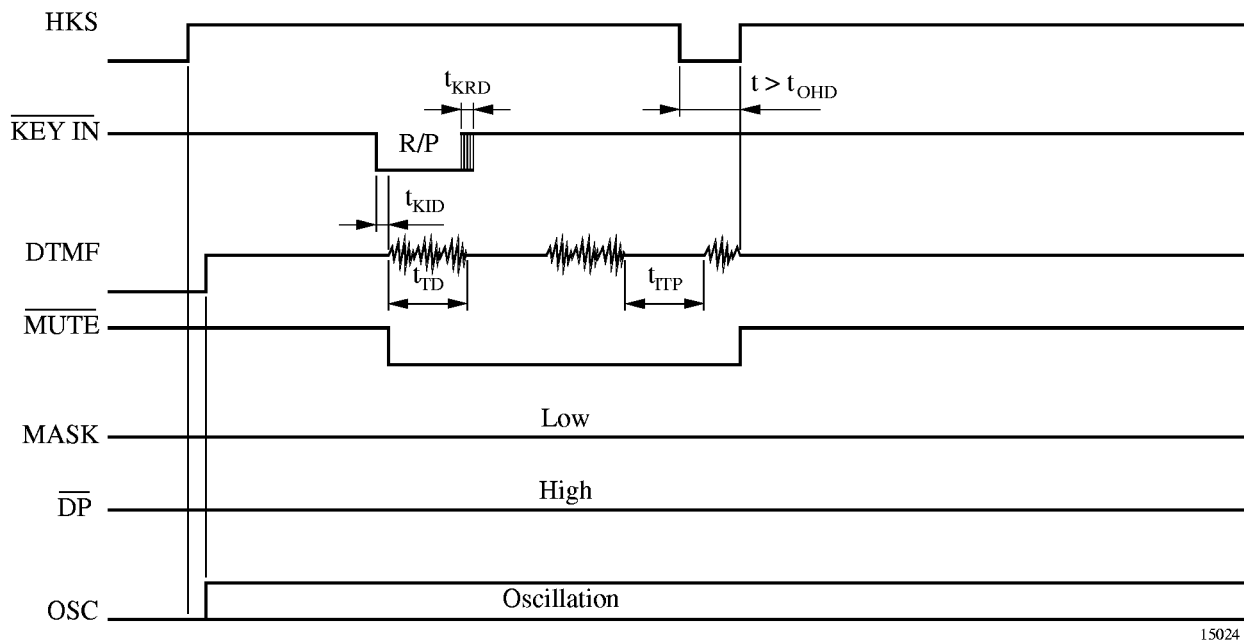
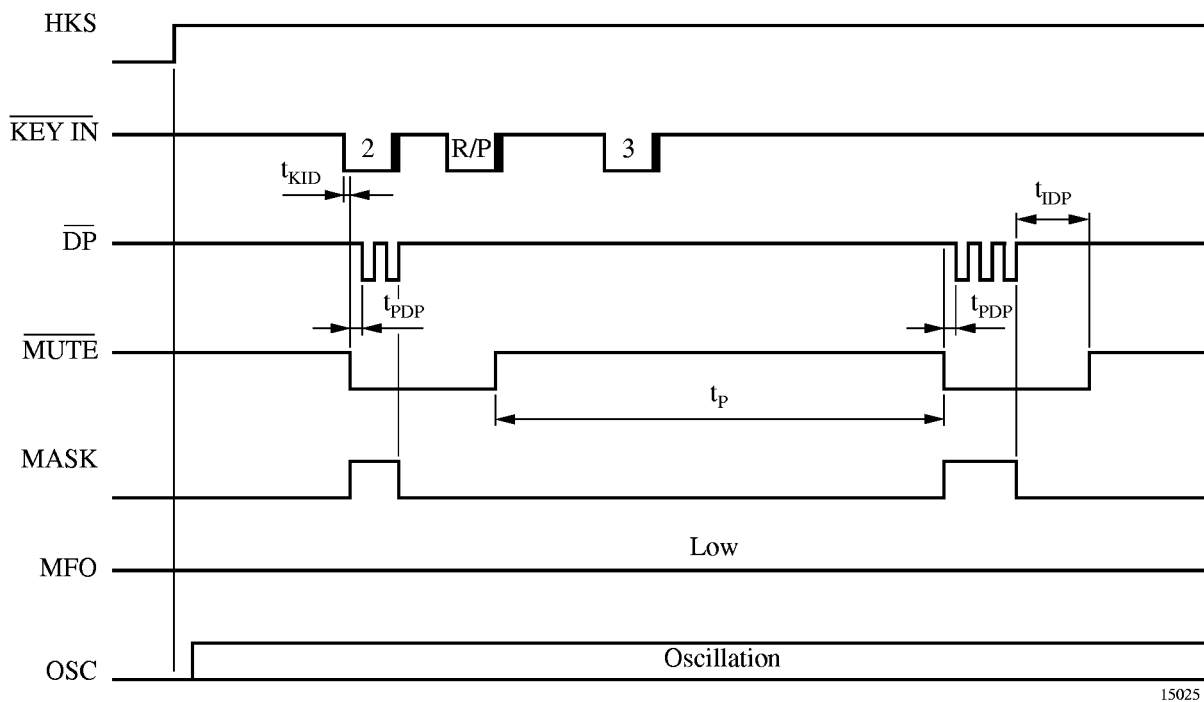


Figure 7. DTMF mode auto dialing ( $t > t_{OHD}$ )

**Access Pause**

OFF HOOK , D1 , D2 , R/P , D3 , ..., Dn'

1. The pause function can be stored in the memory.
2. The pause function is executed in normal dialing and redialing.



15025

Figure 8. Pause function

## Pulse-to-Tone (\* / T)

OFF HOOK , D1 , D2 , ..., Dn , \* / T , D1' , D2' , ..., Dn'

1. a) If the mode switch is set to pulse mode, then the output signal will be:

D1, D2, ..., Dn, Pause (3.6 s), D1', D2', ..., Dn'

(Pulse) (Tone)

1. b) (Pulse), (Tone), (Tone) if MODE pin = C2, \* is sent out as DTMF tone

2. If the mode switch is set to tone mode, then the output signal will be:

D1, D2, ..., Dn, \* , D1', D2', ..., Dn'

(Tone) (Tone) (Tone)

3. The dialer remains in tone mode when the digits have been dialed out and can be reset to pulse mode by going on-hook only.

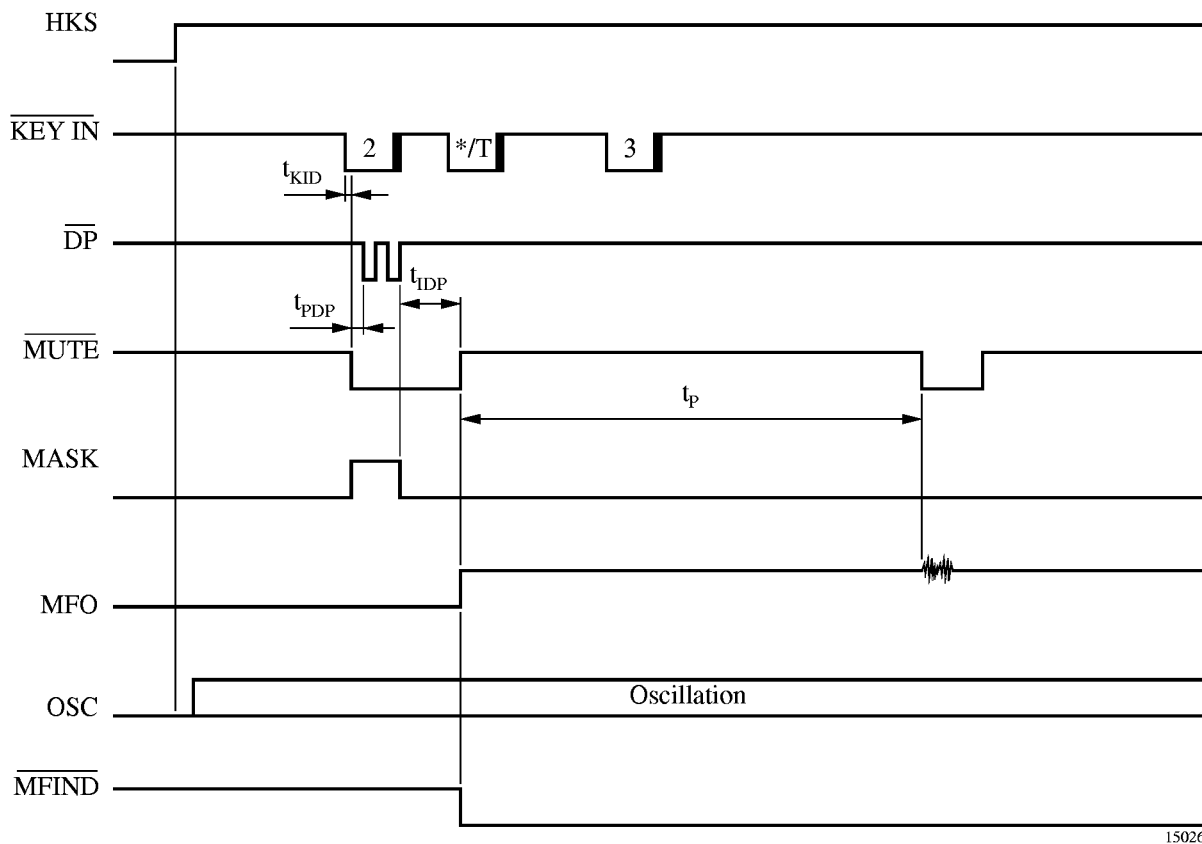


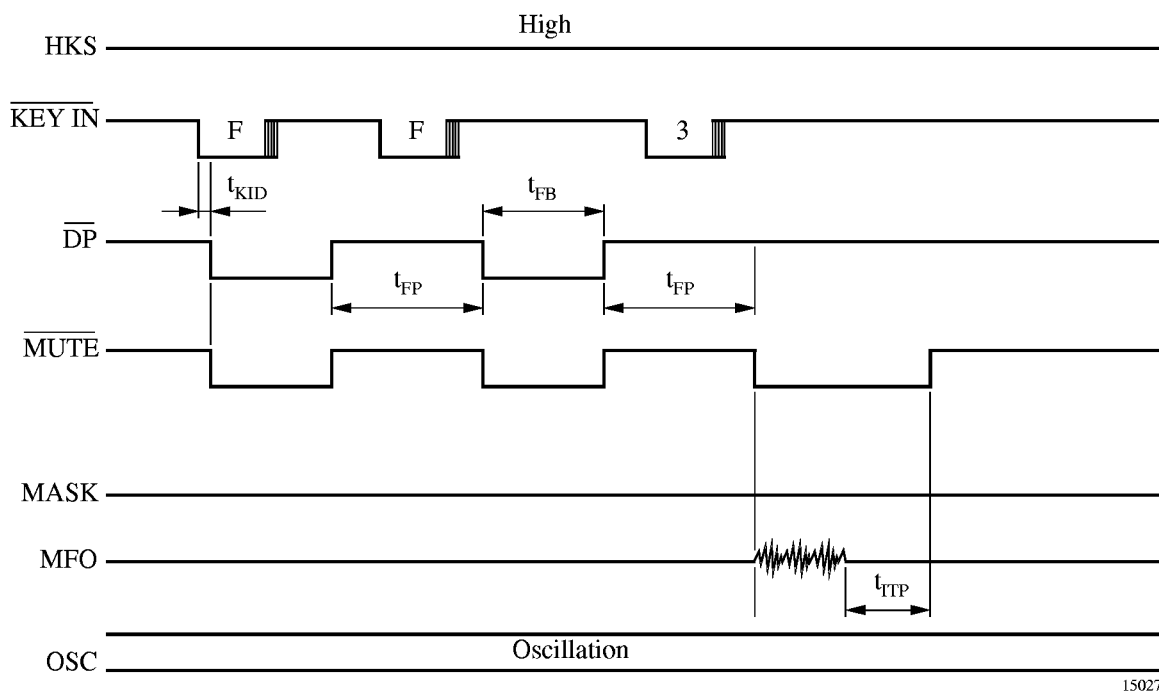
Figure 9. Pulse-to-tone operation

15026

## Flash (F)

OFF HOOK ,  $F_n$

1. The dialer will execute flash break and the entire flash pause time will elapse before the next digits are dialed out.
2. The flash key can be stored as a digit in the memory. Only one flash, however, will be released to the users.
3. The system will return to the initial state after the flash pause time has elapsed.

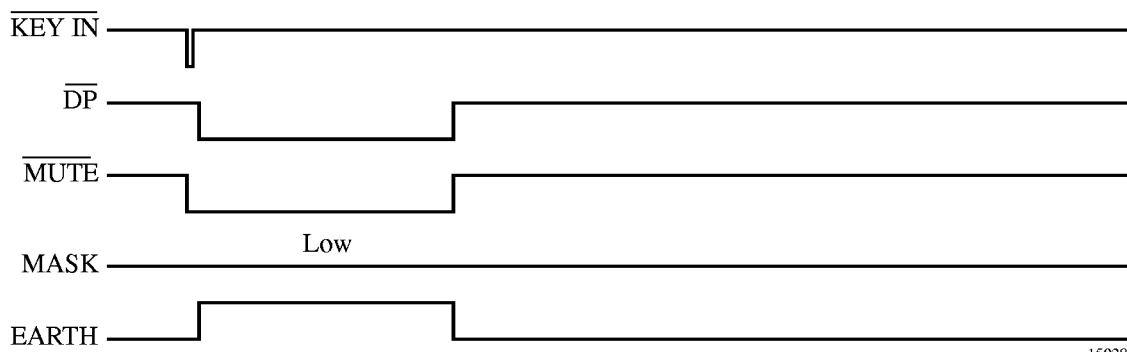


15027

Figure 10. Flash operation

$t_{KID}$  = key active in debounce  
 $t_{KRD}$  = key release debounce  
 $t_{PDP}$  = pre-digit pause  
 $t_{IDP}$  = inter-digit pause  
 $t_{TD}$  = DTMF output duration

$t_{TTP}$  = intertone pause  
 $t_{FB}$  = flash break time  
 $t_{FP}$  = flash pause time  
 $t_p$  = pause time



15028

Figure 11. Symbolic timing diagram: Earth function

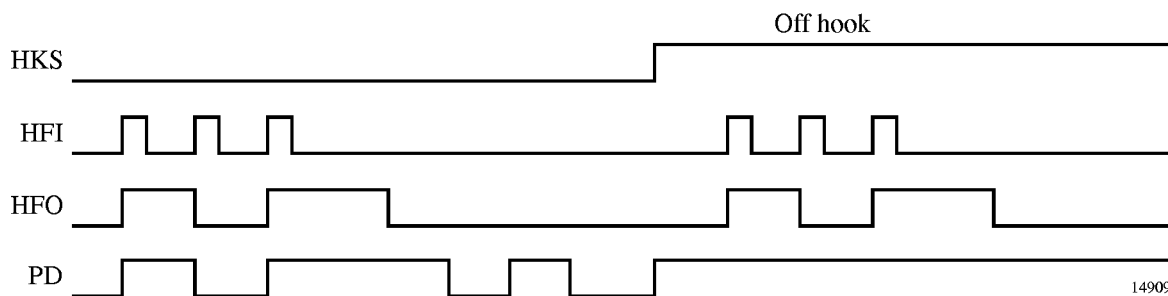


Figure 12. Symbolic timing diagram: HFI, HFO function

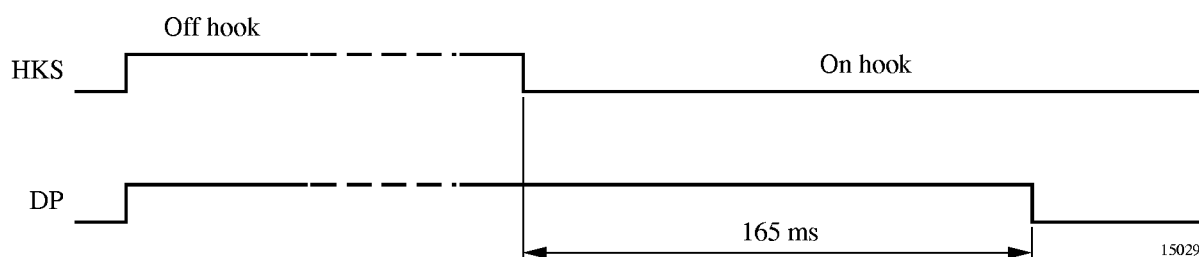


Figure 13. Symbolic timing diagram: on hook debounce time

## Absolute Maximum Ratings

Parameters	Symbol	Value	Unit
Line current	$I_L$	140	mA
DC line voltage	$V_L$	14	V
Junction temperature	$T_j$	125	°C
Ambient temperature	$T_{amb}$	-25 to +75	°C
Storage temperature	$T_{stg}$	-55 to +150	°C
Total power dissipation, $T_{amb} = 60^\circ\text{C}$	SSO44 $P_{tot}$	0.9	W
Junction ambient	SSO44 $R_{thJA}$	70	K/W

ESD withstand voltage 1 kV according to MIL standard 883d method 3015.7 (HBM)

## Electrical Characteristics Speech Circuit

Reference point Pin GND,  $f = 1000 \text{ Hz}$ ,  $0 \text{ dBm} = 775 \text{ mV}_{\text{rms}}$ ,  $R_{\text{DC}} = 39 \Omega / 1 \text{ W}$ ,  $T_{\text{amb}} = 25^\circ\text{C}$ , unless otherwise specified, refer to "Basic Test Circuit".

Parameters	Test Conditions / Pin	Symbol	Min.	Typ.	Max.	Unit
Line voltage	$I_L = 8 \text{ mA}$	$V_L$		1.4		V
	$I_L = 20 \text{ mA}$		3.6	3.85	4.1	V
	$I_L = 73 \text{ mA}$		5.9	6.55	7.2	V
	$I_L = 100 \text{ mA}$		6.9		8.2	V
<b>Transmit and sidetone</b>						
Input resistance	$R_i$	$R_i$	45	80	120	k $\Omega$
Gain	$I_L = 20 \text{ mA}$ , S5 = open	$G_S$	46.8	47.8	48.8	dB
Gain change with current	$I_L = 20$ to $60 \text{ mA}$ $R_{\text{AGC}} = \text{infinite}$	$\Delta G_S$	-0.5		0.5	dB
Gain deviation	$T_{\text{amb}} = -10$ to $+60^\circ\text{C}$ $I_L = 20 \text{ mA}$	$\Delta G_S$	-0.5		0.5	dB
Line-loss compensation	$R_{\text{AGC}} = 12 \text{ k}\Omega$ , $I_L = 73 \text{ mA}$	$\Delta G_S$	-4.8	-6	-7	dB
Max. output voltage at line	$I_L = 20 \text{ mA}$ , $V_{\text{mic}} = 10 \text{ mV}$ , $\text{CLIM} = 2.2 \mu\text{F}$ , S1 = open	$V_{L\text{max}}$		1.2		dBm
Noise at line weighted psophometrically	$I_L > 20 \text{ mA}$ , $G_S = 48\text{dB}$	$n_o$			-72	dBmp
Sidetone reduction	$I_L \geq 20 \text{ mA}$	$G_{\text{STA}}$	10	15	20	dB
<b>DTMF amplifier</b>						
Volume range $d < 5\%$	Single tone, $I_L \geq 20 \text{ mA}$	$V_L$	1.3			dBm
DTMF output level low frequency group	$I_L = 20 \text{ mA}$ , S5 = closed	$V_L$	-8		-4	dBm
Pre-emphasis between high- and low-level frequency group	$P_{\text{PRE}} = P_{\text{HLG}} - P_{\text{LLG}}$ , S5 = closed	$P_{\text{PRE}}$	1		3	dB
<b>Receiving amplifier</b>						
Gain	$I_L \geq 20 \text{ mA}$	$G_R$	3		5	dB
Gain change with current	$I_L = 20$ to $60 \text{ mA}$ $R_{\text{AGC}} = \text{infinite}$	$\Delta G_R$	-0.5		0.5	dB
Gain deviation	$T_{\text{amb}} = -10$ to $+60^\circ\text{C}$ $I_L = 20 \text{ mA}$	$\Delta G_R$	-0.3		0.7	dB
Line-loss compensation	$I_L = 73 \text{ mA}$	$\Delta G_R$	-4.7	-6	-7	dB
Receiving noise at earphone weighted psophometrically	$I_L = 73 \text{ mA}$	$n_i$		-77.5	-71	dBm
Gain change when muted	$I_L \geq 20 \text{ mA}$	$G_{\text{RM}}$	24	29	34	dB
Output voltage push-pull	$I_L \geq 20 \text{ mA}$ , $Z_{\text{ear}} = 68 \text{ nF}$ , $100 \Omega$ in series, $d \leq 2\%$	$V_{\text{RECO}}$	0.8	0.9		$V_{\text{rms}}$
Ear protection differential	$I_L = 40 \text{ mA}$ , $V_{\text{gen}} = 4 V_{\text{rms}}$ , $Z_{\text{ear}} = 68 \text{ nF} + 100 \Omega$	$V_{\text{ear}}$	1.3	1.6	2.5	$V_{\text{rms}}$
<b>Supply voltage (for internal use only)</b>						
Output voltage *	$I_L \geq 20 \text{ mA}$ dialing mode	$V_{\text{DD}}$	2.0		6.3	V
Available current for peripherals	$I_L \geq 20 \text{ mA}$ dialing mode	$I_{\text{DD}}$	150			$\mu\text{A}$
Distortion at line $V_L = 0.775 V_{\text{rms}}$	$I_L = 20 \text{ mA}$ , S5 = open	$d_t$			2	%
Maximum output voltage swing at line	$I_L = 20 \text{ mA}$ , $V_{\text{MIC}} = 50 \text{ mV}_{\text{rms}}$	$V_{L\text{max}}$		3.4	4	Vpp
Mute suppression transmit with privacy function	$I_L = 20 \text{ mA}$	$G_{\text{SPRIV}}$	60			dB

\* Output must be limited externally to max. 5.5 V

## DC Characteristics Dialer

$V_{DD} = 2.7$  V,  $f_{OSC} = 3.58$  MHz, all outputs unloaded, S9 closed; HKS = 0

Parameters	Test Conditions / Pins	Symbol	Min.	Typ.	Max.	Unit
Memory retention current	HKS = 1, $V_{DD} = 1.0$ V	$I_{MR}$			0.1	$\mu$ A
Pre-emphasis	Column/Row		1	2	3	dB
DTMF distortion	$R_L = 5$ k $\Omega$	d		-30	-23	dB
DP output sink current	$V_{PO} = 0.5$ V	$I_{PL}$	0.5			mA
Keyboard input drive current	$V_I = 0$ V	$I_{KD}$		20		$\mu$ A
Keyboard input sink current	$V_I = 2.7$ V	$I_{KS}$		500		$\mu$ A
Key on resistance all other keys		$R_{KON}$			5	k $\Omega$
Key off resistance		$R_{KOFF}$		100		k $\Omega$
Mask sink / drive current		$I_M$ H/L	0.5			mA
Earth sink / drive current		$I_e$ H/L	0.5			mA

## AC Characteristics Dialer

Parameters	Test Conditions / Pins	Symbol	Min.	Typ.	Max.	Unit
Keypad active in debounce mode		$t_{KID}$	15	20	25	ms
Key release debounce		$t_{KRD}$	15	20	25	ms
Pre-digit pause	MODE pin = R3 (10 pps)	$t_{PDP}$	37	40	41	ms
	MODE pin = C1, C2, C4 (10 pps)	$t_{PDP}$	31	33.3	33.5	ms
	MODE pin = R1 (20 pps)	$t_{PDP}$		20		ms
	MODE pin = R2	$t_{PDP}$		16.65		ms
Inter-digit pause (auto dialing)	10 pps, $t_{IP} = t_{IDP} + t_{PDP}$	$t_{IP}$	810	836	860	ms
	20 pps	$t_{IP}$		512		ms
Make/break ratio	MODE pin = R1 (20 pps), R3 (10 pps)	M/B	40.8:60.2	40:60	39.2:60.8	%
	MODE pin = C1, C2, R4 (10 pps)		35.6:64.4	33:67	31.2:68.8	%
	R2 (20 pps)					
DTMF output duration	Auto dialing, MODE = C4	$t_{TD}$	84	87	90	ms
	MODE = C3		84	87	90	ms
Inter-tone pause	Auto dialing, MODE = C4	$t_{TTP}$	84	87	90	ms
	MODE = C3		135	140	147	ms
Flash break time, F	C4 connected to R3	$t_{FB}$	95	98	101	ms
Flash pause time	F	$t_{FP}$	0.9	1	1.1	s
Pause time		$t_p$	3.5	3.6	3.7	s
On-hook debounce time		$t_{ohd}$		220		ms

Parameters	Test Conditions / Pins	Symbol	Min.	Typ.	Max.	Unit
Break duration	MODE pin = R3	$t_B$	57.6	60	62.4	ms
	MODE pin = C1, C2, R4		63	66.7	69	ms
	MODE pin = R1 (20 pps)	$t_B$		30		ms
	MODE pin = R2			33.35		ms
Make duration	MODE pin = R3	$t_M$	38	40	41	ms
	MODE pin = C1, C2, R4		31	33.3	35	ms
	MODE pin = R1 (20 pps)	$t_M$		20		ms
	MODE pin = R2			16.65		ms
Break + make duration	MODE pin = C1, C2, R3, R4	$t_P$	95	100	105	ms
	MODE pin = R1, R2 (20 pps)	$t_P$		50		ms

### Electrical Characteristics Tone Ringer

$f_{RCK} = 4 \text{ kHz}$ ,  $V_{RING} = 20 \text{ V}$ ,  $T_{amb} = 25^\circ\text{C}$ , reference point GND, unless otherwise specified

Parameters	Test Conditions / Pins	Symbol	Min.	Typ.	Max.	Unit
Supply current, outputs open	$V_{RIAC} = 20 \text{ V}$	$I_{RING}$	2.1		3.8	mA
Switch-on threshold	$V_{RIAC}$ , THA = open	$V_{RON}$	8	9	10	V
Switch-off threshold	$V_{RIAC}$	$V_{ROFF}$	5.0	5.6	6.5	V
Ringing frequency	R = 150 k $\Omega$ , C = 1 nF $V_{RIAC} > V_{RON}$	$f_{1H}$	937	1010	1083	Hz
		$f_{1L}$	752	808	868	Hz
Audio sequence frequency		$f_2$	11.5	12.5	14.0	Hz
Output voltage swing	$V_{Ring} = 25 \text{ V}$ , $C_{out} = 68 \text{ nF}$	$V_{out}$	21	23		$V_{pp}$
Turn-off delay	See figure 11	$t_{off}$		65	100	ms

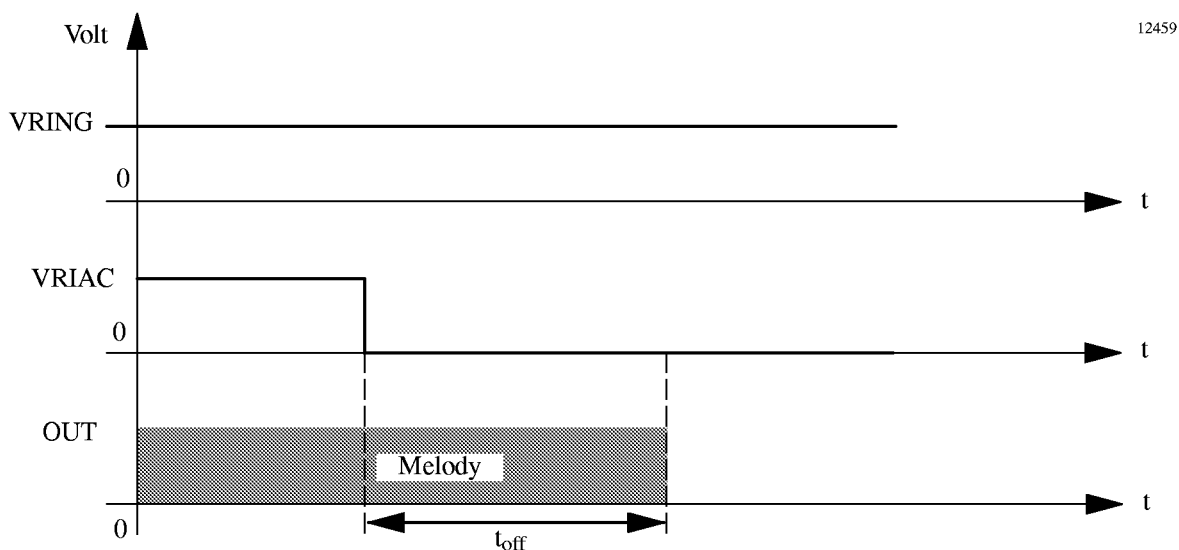


Figure 14. Turn-off delay time



## Equations for Electrical Characteristic Parameters of the Speech Circuit

The equations refer to the basic test circuit. If not otherwise specified, the switches in the basic test circuit are inactive.

### Transmit gain

$$GS = 20 \times \log \left( \frac{V_L}{V_{MIC}} \right)$$

$V_{MIC} = 3 \text{ mV/1 kHz}$ , S5 = open

### Receiving gain

$$GR = 20 \times \log \left( \frac{V_{RECO}}{V_L} \right)$$

RX-mode:  $V_{gen} = 300 \text{ mV/1 kHz}$ , S7b

### Line-loss compensation transmit

$$\Delta GS = GS(\text{at } I_L = 73 \text{ mA}) - GS(\text{at } I_L = 20 \text{ mA})$$

TX-mode:  $V_{MIC} = 3 \text{ mV/1 kHz}$ , S5 = open

### Sidetone reduction

$$GSTA = 20 \times \log \left( \frac{V_L}{V_{RECO}} \right) (\text{in TX-mode}) + GR$$

TX-mode:  $V_{MIC} = 3 \text{ mV/1 kHz}$ , S5 = open

### Line-loss compensation receive

$$\Delta GR = GR(\text{at } I_L = 73 \text{ mA}) - GR(\text{at } I_L = 20 \text{ mA})$$

RX-mode:  $V_{gen} = 300 \text{ mV/1 kHz}$ , S7b

### Gain change when muted

$$GRM = 20 \times \log \frac{V_{RECO}}{V_L} (\text{Mute} = \text{inactive}) - 20 \times \log \frac{V_{RECO}}{V_L} (\text{Mute} = \text{active})$$

$V_{gen} = 100 \text{ mV/1 kHz}$ , S5 = open, S8 = open

### Input impedance of microphone amplifier

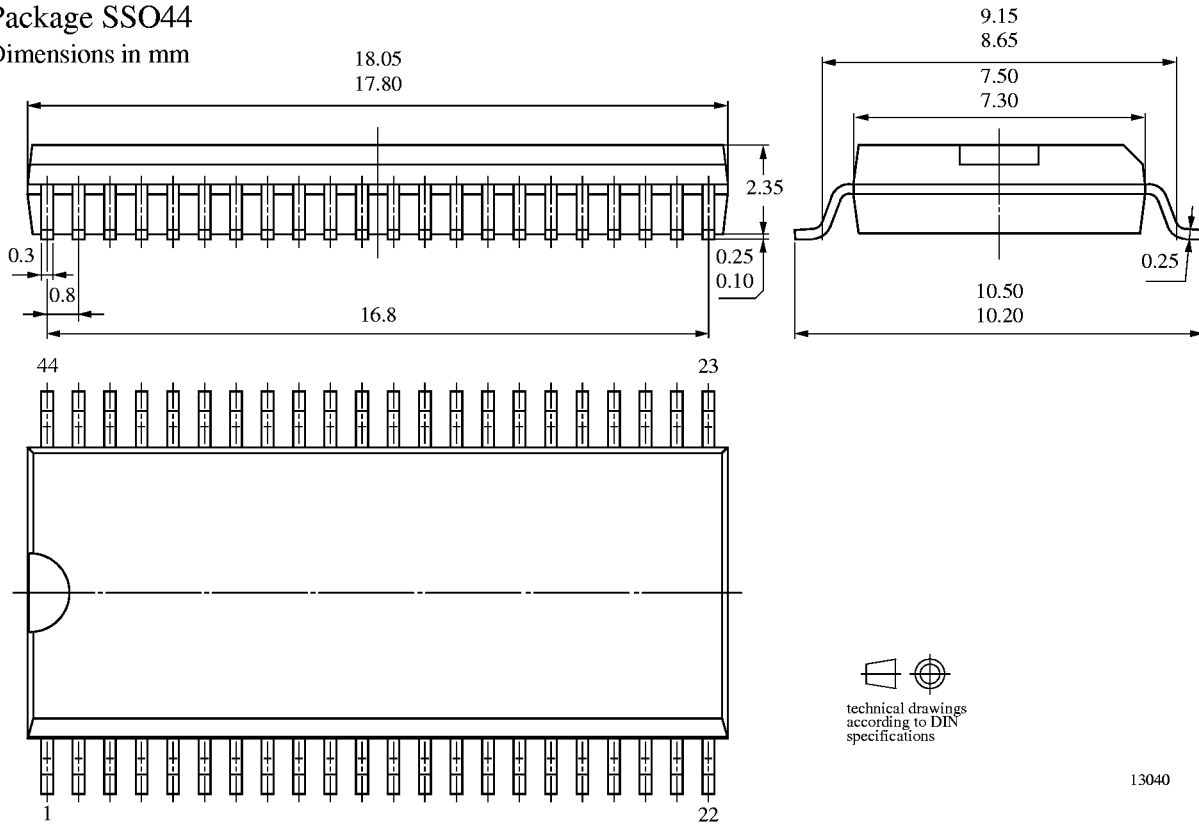
$$R_i = \frac{50 \text{ k}}{\left( \frac{V_{L(S6 = \text{closed})}}{V_{L(S6 = \text{open})}} - 1 \right)}$$

TX-mode:  $V_{MIC} = 3 \text{ mV/1 kHz}$ , S5 = open

## Packaging Information

Package SSO44

Dimensions in mm



  
technical drawings  
according to DIN  
specifications

13040

---

## Ozone Depleting Substances Policy Statement

It is the policy of **TEMIC Semiconductor GmbH** to

1. Meet all present and future national and international statutory requirements.
2. Regularly and continuously improve the performance of our products, processes, distribution and operating systems with respect to their impact on the health and safety of our employees and the public, as well as their impact on the environment.

It is particular concern to control or eliminate releases of those substances into the atmosphere which are known as ozone depleting substances (ODSs).

The Montreal Protocol (1987) and its London Amendments (1990) intend to severely restrict the use of ODSs and forbid their use within the next ten years. Various national and international initiatives are pressing for an earlier ban on these substances.

**TEMIC Semiconductor GmbH** has been able to use its policy of continuous improvements to eliminate the use of ODSs listed in the following documents.

1. Annex A, B and list of transitional substances of the Montreal Protocol and the London Amendments respectively
2. Class I and II ozone depleting substances in the Clean Air Act Amendments of 1990 by the Environmental Protection Agency (EPA) in the USA
3. Council Decision 88/540/EEC and 91/690/EEC Annex A, B and C (transitional substances) respectively.

**TEMIC Semiconductor GmbH** can certify that our semiconductors are not manufactured with ozone depleting substances and do not contain such substances.

**We reserve the right to make changes to improve technical design and may do so without further notice.**

Parameters can vary in different applications. All operating parameters must be validated for each customer application by the customer. Should the buyer use TEMIC products for any unintended or unauthorized application, the buyer shall indemnify TEMIC against all claims, costs, damages, and expenses, arising out of, directly or indirectly, any claim of personal damage, injury or death associated with such unintended or unauthorized use.

TEMIC Semiconductors GmbH, P.O.B. 3535, D-74025 Heilbronn, Germany  
Telephone: 49 (0)7131 67 2594, Fax number: 49 (0)7131 67 2423