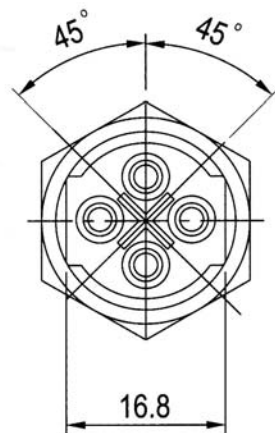
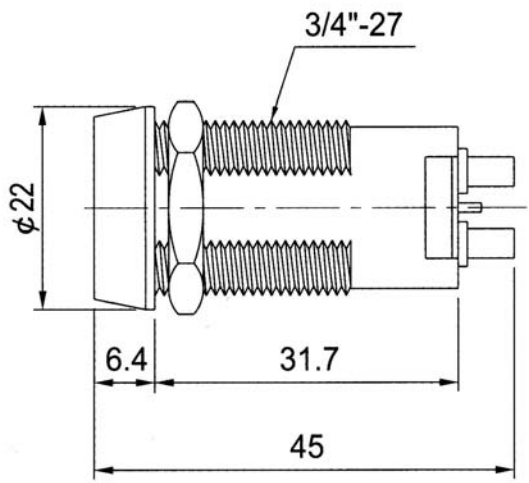
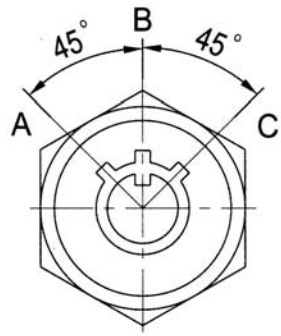
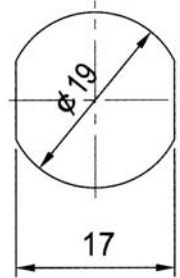


- - Off position
- ▬ - Indicates key pull
- - Indicates no key-pull



SPECIFICATIONS

- Zinc alloy die cast housing and cylinder
- Bright chrome plated standard
- 7 pin tumbler mechanism
- Steel tubular keys, nickel plated
- Key-pull in both positions
- Silver plated contacts and terminals
- 2 positions (on-on), 4 terminals
- Hex nut mounted
- All keyed alike or one combination per 100pcs standard
- 10,000 combinations available

RoHS compliant

| Series | Style | Key combinations |
|-----------------|--|---|
| SWTK | S202ZD | X |
| Key lock switch | ø19mm cylinder, key-pull in both positions | A=All keyed alike B=One combination per 100pcs (up to 10,000 combinations) C=Customer specified |

| Rev. | Description | Date | Approved | Drawing | Name | Date |
|------|-------------|------|----------|------------|-------------|-------------|
| | | | | Approved | Howard | 08/10/99 |
| | | | | Checked | Lizzy | 08/10/99 |
| | | | | Drawn | Tina | 08/10/99 |
| | | | | 0.0 ± 0.35 | 0.00 ± 0.20 | Angles ± 3' |
| | | | | UNIT: mm | | |

Central Components Manufacturing
 440 Lincoln Blvd., Middlesex, New Jersey 08846
 Phone 732 469-5720 888 288-5152 Fax 732 469-1919

Part No.: **SWTK-S202ZD-X**

Description: Full size large tubular switch lock, 19mm diameter, 2 positions, key-pull in both positions