

### FEATURES

- **DESIGNED FOR SONET/SDH/ATM SYSTEMS**
- **FIXED PIGTAIL FIBER AND OPTICAL CONNECTOR**
- **SMT PACKAGE**
- **COMPACT SIZE:**  
27 x 10 x 7 (mm)
- **LOW POWER CONSUMPTION: 0.3 W TYP**
- **SINGLE +3.3 V POWER SUPPLY**
- **WIDE OPERATING TEMPERATURE:**  
OD-J7820-0B\*1: 0 to 65°C

### MAJOR PERFORMANCE

- **DATA RATE:**  
622.08 Mbps (STM-4, OC-12)
- **P-ECL SIGNAL LOGIC INTERFACE**
- **ALARM FUNCTIONS:**  
Optical output down alarm, LD bias alarm
- **AUTOMATIC OPTICAL LAUNCHED POWER STABILIZING**

### PERFORMANCE CHARACTERISTICS

(OD-J7820-AB\*1)

Items	Performance
Transmission Speed	622.08 Mbps
Data Format	Scrambled NRZ (External Scrambler is Required.)
Pigtail Fiber	SMF Pigtail Length: 550 nm Optical Connector: SC, FC, MUJ
Output Optical Interface	Launched Power: -3 to +2 dBm Extinction Ratio: 10 dB MIN Wavelength: 1280 to 1335 nm Maximum -20 dBm width: 1 nm Minimum side mode suppression ratio: 30 dB
Input Electrical Interface	Data Interface: P-ECL Clock Interface: P-ECL
Applicable Transmission Fiber Cables	SMF (SI-10/125)
Ambient Temperature	0 to 65°C
Relative Humidity	30 to 80 % RH (non-condense Condition)
Power Supply Voltage	DC: +3.3 V
Power Consumption	0.3 W TYP
Dimensions	27 x 10 x 7 (mm) (refer to drawing)
Alarm Functions	Optical output down alarm; active low LD bias alarm; active low Signal Interface: LV-TTL

### APPLICATIONS

- **TELECOMMUNICATIONS NETWORKS:**  
SONET OC-12, LR-2, and LR-3 Interface compatible (Bellcore GR-253-CORE requirement)  
SDH STM-4, L-4.2, and L-4.3 Interface Compatible (ITU-T Recommendation G.957)

### ORDERING INFORMATION

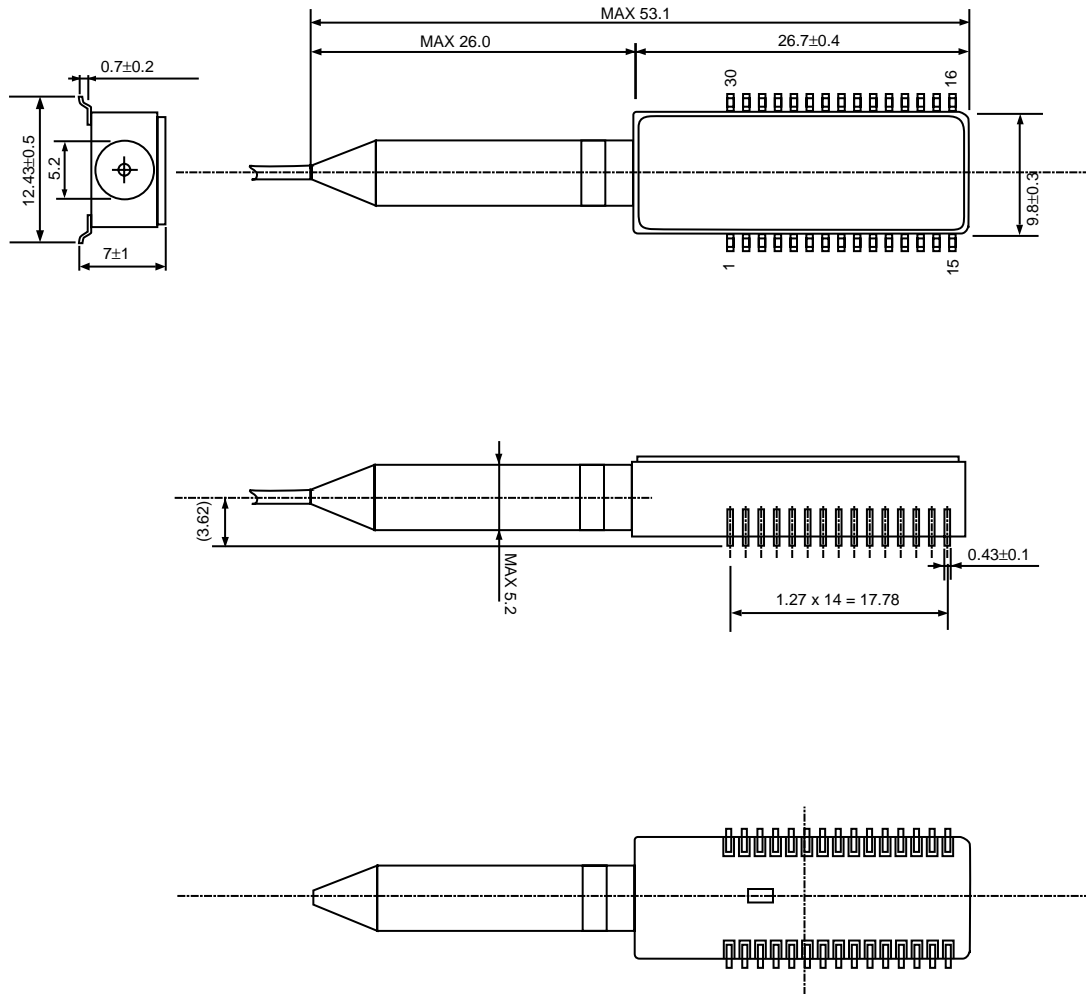
Optical Connector	Product Number <sup>1</sup>
SC	OD-J7820-0B11
MUJ	OD-J7820-0B21
FC	OD-J7820-0B31

NOTE:

1. Please make sure of the product number listed above. The optical connector depends on part number.

# OD-J7820-AB\*1

(unit in mm)



PIN NO.	SYMBOL	I/O	PIN NO.	SYMBOL	I/O
1	OPT MON	O	16	GND	I
2	GND	I	17	GND	I
3	GND	I	18	GND	I
4	FF SEL	I	19	GND	I
5	GND	I	20	EXT C	-
6	CLK IN (-)	I	21	Vcc	I
7	CLK IN (+)	I	22	GND	I
8	GND	I	23	GND	I
9	DATA IN (-)	I	24	GND	I
10	DATA IN (+)	I	25	GND	I
11	SHUT DOWN	I	26	GND	I
12	BIAS MON	O	27	GND	I
13	CURR ALM TST	I	28	Vcc	I
14	CURR ALM	O	29	GND	I
15	OPT OUT ALM	O	30	Vcc	I

I: Input Terminal, O: Output Terminal