



Raychem

TE Internal #: 2723233001

Hook Up Wire, FlexLite, 600V Voltage Rating, Black Wire Color, 23AWG Wire Size, .25mm² Wire Size, Operating Temperature Range -65 – 150 °C

[View on TE.com >](#)

Wire & Cable > Hook Up Wire



Cable Type: **FlexLite**

Voltage Rating: **600 V**

Wire Color: **Black**

Insulation Material: **Radiation-Crosslinked, Modified Polyalkene**

Conductor Material: **Tin-Plated Copper**

Features

Product Type Features

Product Type	Wire
Product Classification	Wire - Commercial
Cable Style	Primary, Stranded
Cable Type	FlexLite

Configuration Features

Number of Conductors	1
Number of Strands	19

Electrical Characteristics

Resistance (Max)	83.6 Ω/1000 ft @ 68°F
Voltage Rating	600 V

Body Features

Weight	2.96 kg/km
Wire Color	Black
Insulation Material	Radiation-Crosslinked, Modified Polyalkene
Conductor Material	Tin-Plated Copper

Dimensions

Conductor Size	.25 mm ²
----------------	---------------------



Wire Diameter	1.04 mm[.041 in]
Conductor Diameter Range	.55 – .63 mm[.022 – .025 in]
Overall Outside Diameter	1.04 mm[.04 in]
Overall Outside Diameter Range	.91 – 1.04 mm[.036 – .041 in]
Conductor Diameter	.59 mm[.024 in]
Strand Size	36 AWG
Wire Size	.25 mm ²

Usage Conditions

Operating Temperature Range	-65 – 150 °C
-----------------------------	--------------

Product Compliance

[For compliance documentation, visit the product page on TE.com>](#)

EU RoHS Directive 2011/65/EU	Compliant
EU ELV Directive 2000/53/EC	Compliant
China RoHS 2 Directive MIIT Order No 32, 2016	No Restricted Materials Above Threshold
EU REACH Regulation (EC) No. 1907/2006	Current ECHA Candidate List: JUN 2020 (209) Candidate List Declared Against: JUN 2020 (209) Does not contain REACH SVHC
Halogen Content	Out of Scope - excluded from Halogen requirements
Solder Process Capability	Not applicable for solder process capability

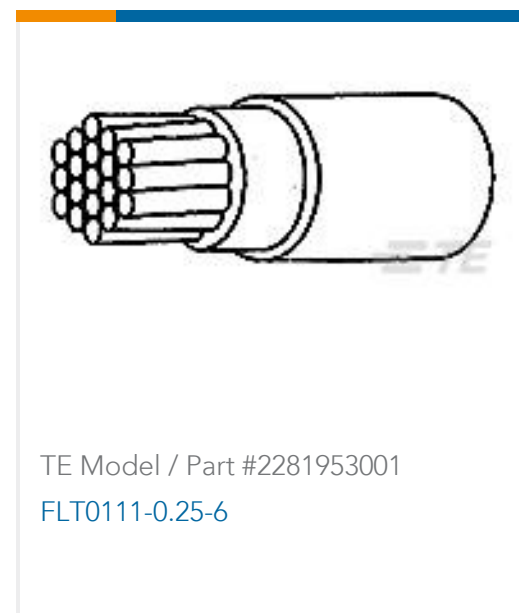
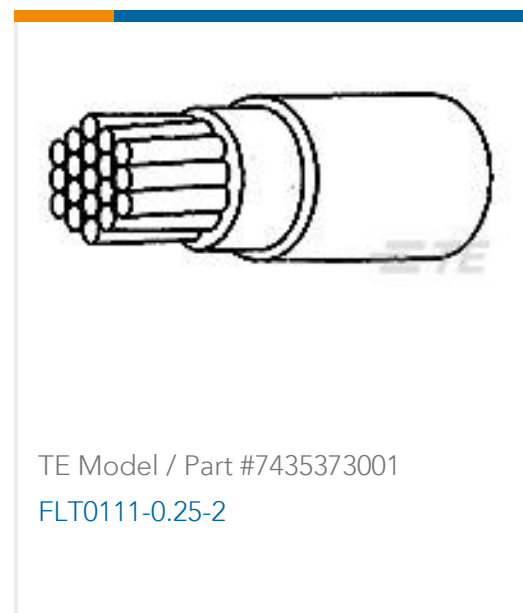
Product Compliance Disclaimer

This information is provided based on reasonable inquiry of our suppliers and represents our current actual knowledge based on the information they provided. This information is subject to change. The part numbers that TE has identified as EU RoHS compliant have a maximum concentration of 0.1% by weight in homogenous materials for lead, hexavalent chromium, mercury, PBB, PBDE, DBP, BBP, DEHP, DIBP, and 0.01% for cadmium, or qualify for an exemption to these limits as defined in the Annexes of Directive 2011/65/EU (RoHS2). Finished electrical and electronic equipment products will be CE marked as required by Directive 2011/65/EU. Components may not be CE marked. Additionally, the part numbers that TE has identified as EU ELV compliant have a maximum concentration of 0.1% by weight in homogenous materials for lead, hexavalent chromium, and mercury, and 0.01% for cadmium, or qualify for an exemption to these limits as defined in the Annexes of Directive 2000/53/EC (ELV). Regarding the REACH Regulation, the information TE provides on SVHC in articles for this part number is based on the latest European Chemicals Agency (ECHA) 'Guidance on requirements for substances in articles' posted at this URL: <https://echa.europa.eu/guidance-documents/guidance-on-reach>

Compatible Parts



Customers Also Bought



Documents

Product Drawings

[FLT0111-0.25-0](#)

English

Datasheets & Catalog Pages

[1654025_Sec9_FlexLite](#)

English

[Wire and Cable Overview](#)

English

FLT0111-0.25-0

Hook Up Wire, FlexLite, 600V Voltage Rating, Black Wire Color, 23AWG Wire Size, .25mm² Wire Size, Operating Temperature Range -65 – 150 °C

