

3862 Series

USB A-Type Socket

General specifications

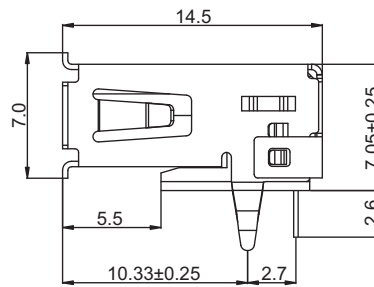
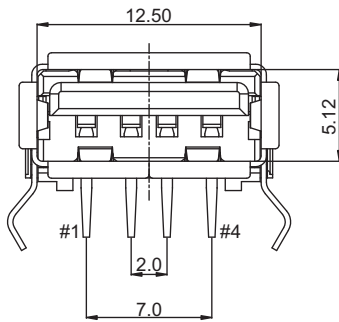
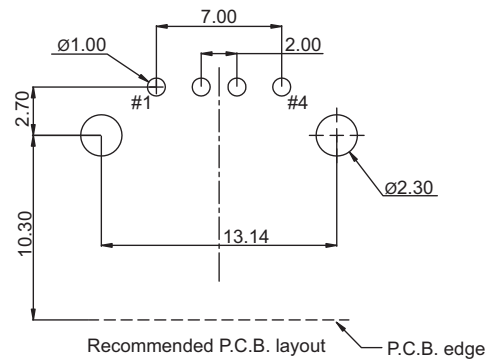
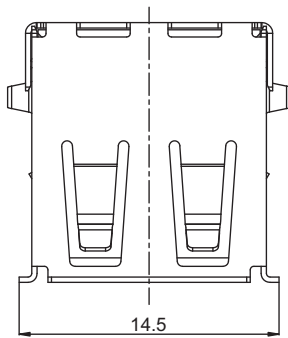
| | |
|---------------------------|---|
| Insulator material | High temperature thermoplastic, UL94V-0 |
| Contact material | Copper alloy |
| Current rating | 1.5 A |
| Voltage rating | 250 VAC |
| Contact resistance | 30 mΩ max. |
| Insulator resistance | 1000 MΩ @ 500 VDC |
| Dielectrical withstanding | 500 VAC for 1 min |
| Operating temperature | -55 °C to +85 °C |
| Soldering | Lead free wave soldering process |
| Durability | 1500 cycles |

Mating parts series



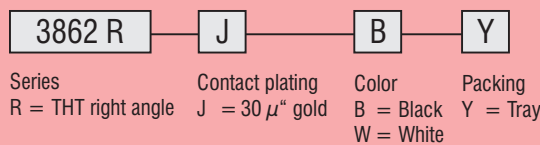
Mechanical dimensions

Unit: mm



| Tolerances | | |
|------------|------|---------|
| Linear | .X | ± 0.250 |
| | .XX | ± 0.150 |
| | .XXX | ± 0.075 |

Part numbering guide



* standard

