

FEATURES AND SPECIFICATIONS

Features and Benefits

- Cable assemblies available through Molex-approved suppliers
- Termination of a variety of wire types 26 to 36 AWG (depending on application)
- Wire terminated by direct weld or solder
- Terminal sticks sold separately
- 96-circuit same size as 50-pin D-sub for standard overmolding and back shell hardware

Reference Information

Packaging: Box and tray
 Mates With: [70660](#) or [71990](#)
 Designed In: Inches

Electrical

Voltage: 40V
 Current: 1.0A
 Contact Resistance: 20mΩ max.
 Dielectric Withstanding Voltage: 1000V
 Insulation Resistance: 100 MΩ min.

Mechanical

Mating Force: 60g nom.
 Unmating Force: 20g min.
 Durability: 5000 cycles

Physical

Housing: Glass-filled polymer, UL 94V-0
 Contact:

Plug—Phosphor Bronze Alloy
 Receptacle—Beryllium Copper Alloy

Plating:

Terminals—30μ" min. Gold over Nickel in contact area,
 100μ" min. Tin/Lead over Nickel in PC tail area
 Shields—150μ" min. bright Tin over Nickel all over
 Copper flash

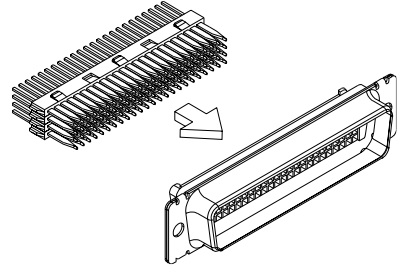
Operating Temperature: -20 to +80°C



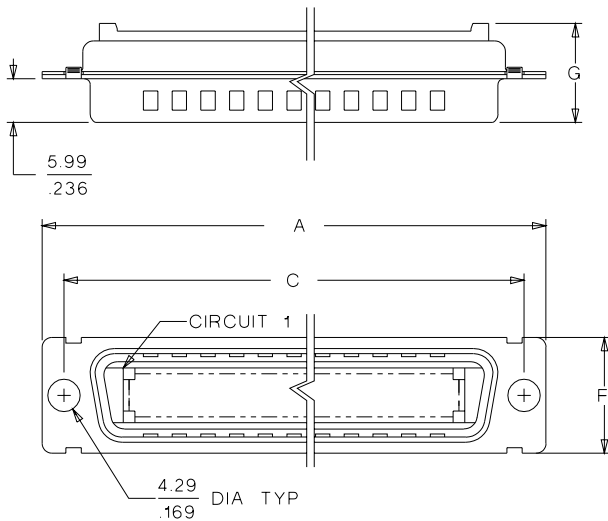
1.90mm (.075") Pitch LFH™ Matrix 75 Plug Cable Kit

70665/71995

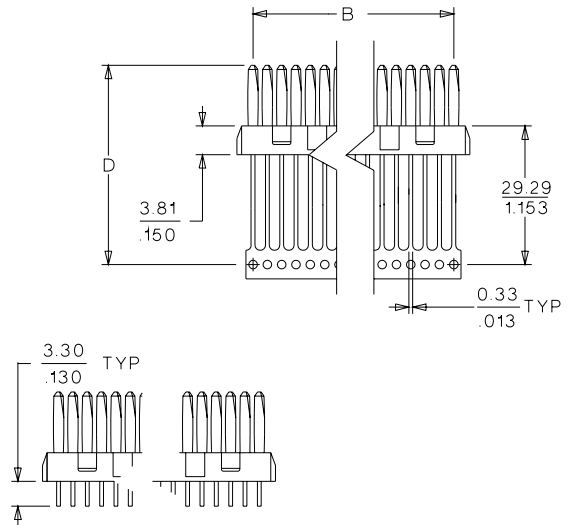
Subassembly and Terminal Sticks 96 and 130 Circuit



SUBASSEMBLY CATALOG DRAWING (FOR REFERENCE ONLY)



TERMINAL STICKS



I/O Connectors

N

ORDERING INFORMATION AND DIMENSIONS

Subassembly		
Circuits	Order No.	Description
96	51-26-0012	I/O Plug Connector Subassembly
130	51-26-0032	

Circuits	Dimension					
	A	B	C	D	F	G
96	66.93 (2.635)	43.81 (1.725)	61.11 (2.406)	37.33 (1.470)	15.33 (.605)	13.31 (.524)
130	69.32 (2.729)	47.62 (1.875)	63.50 (2.500)	37.33 (1.470)	16.96 (.668)	13.15 (.518)

Terminal Sticks				
Circuits	Order No.	Description	Tail Width	No. Required per Subassembly
96	51-25-1012	Trimmed to Length without Carrier	0.51 (.020)	Four 24-Circuit Sticks
	51-25-1005	With Carrier	0.51 (.020)	
130	51-25-1007	With Carrier	0.51 (.020)	
	71989-2003	Trimmed to Length without Carrier	0.51 (.020)	