

4

3

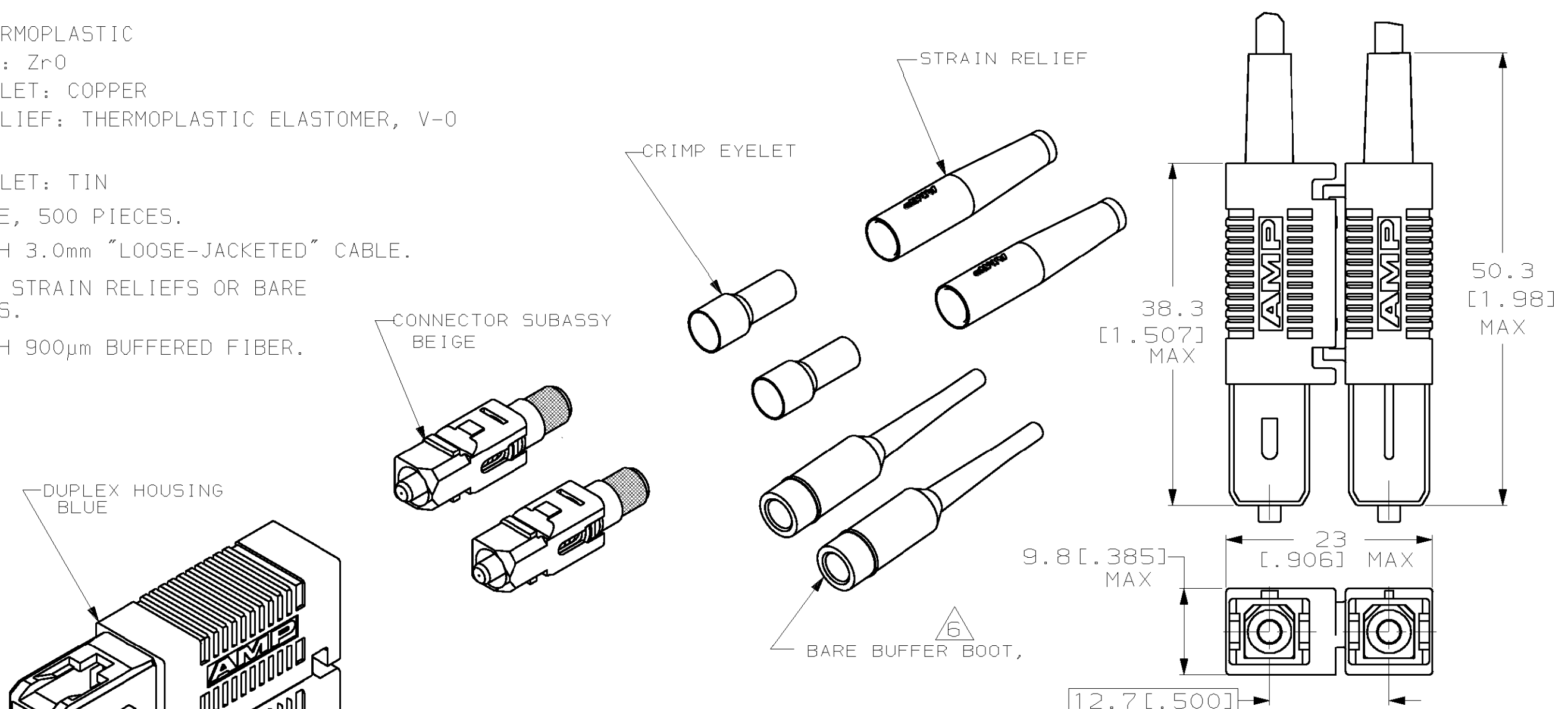
2

1

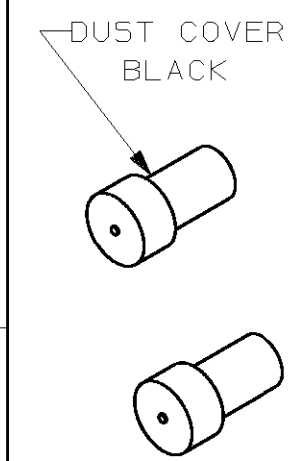
THIS DRAWING IS UNPUBLISHED. RELEASED FOR PUBLICATION .19 .  
 © COPYRIGHT 19 BY AMP INCORPORATED. ALL RIGHTS RESERVED.

LOC	DIST	P	LTR	DESCRIPTION	DATE	DWN	APVD
CE	16			REVISED PER 0A00-0308-00	31MAY00	TA	SB

- 1 MATERIAL:  
 BODY: THERMOPLASTIC  
 CAPILLARY: ZrO  
 CRIMP EYELET: COPPER  
 STRAIN RELIEF: THERMOPLASTIC ELASTOMER, V-0
- 2 FINISH:  
 CRIMP EYELET: TIN
- 3 BULK PACKAGE, 500 PIECES.
- 4. FOR USE WITH 3.0mm "LOOSE-JACKETED" CABLE.
- 5 CONTAINS NO STRAIN RELIEFS OR BARE BUFFER BOOTS.
- 6 FOR USE WITH 900µm BUFFERED FIBER.
- 7 NO AMP LOGO



7	3	7	5	3	6	5	3	3
-	-	BLACK/WHITE	-	-	126µm FERRULE	504655-6		
-	-	-	-	-	126µm FERRULE	504655-5		
BLUE	-	-	-	-	126µm FERRULE	504655-4		
-	-	-	-	-	126µm FERRULE	504655-3		
-	BLUE	-	-	-	126µm FERRULE	504655-2		
-	BLUE	-	-	-	126µm FERRULE	504655-1		
BUFFER BOOT COLOR		STRAIN RELIEF COLOR	DESCRIPTION		PART NUMBER			



THIS DRAWING IS A CONTROLLED DOCUMENT FOR AMP INCORPORATED. IT IS SUBJECT TO CHANGE AND THE CONTROLLING ENGINEERING ORGANIZATION SHOULD BE CONTACTED FOR THE LATEST REVISION.

DIMENSIONS: mm [INCHES]	TOLERANCES UNLESS OTHERWISE SPECIFIED: 0 PLC ±- 1 PLC ±- 2 PLC ±0.13 [.005] 3 PLC ±- 4 PLC ±- ANGLES ±1° FINISH	DWN B BRIGGS 7-21-95 CHK T.FAWCETT 7-21-95 APVD D.STAKEM 7-21-95 PRODUCT SPEC APPLICATION SPEC WEIGHT -	AMP Incorporated Harrisburg, PA 17105-3608 AMP SC DUPLEX CONNECTOR KIT, SINGLEMODE, ONE PIECE, 3.0mm
MATERIAL 1	2	CUSTOMER DRAWING	SIZE A3 CAGE CODE 00779 DRAWING NO C-504655 SCALE 2:1 SHEET 1 OF 1 REV F

## Current Brand View

AMP

[View All Tyco Electronics Brands](#)

Click to activate links to all other products

## Fiber Optic Products

## SC Connectors

AMP 504655-1 -- 1 of 1 products [Active](#) [Active](#)

## (Tyco Electronics P/N: 504655-1)

	<a href="#">Sales Information</a>	<a href="#">AMP ACES</a>	<a href="#">Step Search Screen</a>
		<a href="#">Related Documents</a>	<a href="#">General Information</a>
		<a href="#">Pricing</a>	<a href="#">Product Availability</a>

Please use the customer drawing for all design activity.

- Customer Drawing: 504655, Rev. F**  
 Document Title: AMP SC DUPLEX CONNECTOR KIT,  
 SINGLEMODE, ONE PIECE, 3.0mm  
[208636.pdf](#) [208636.pdf](#) (56K)

*The photographs and/or line drawings below are representative images of a product for viewing purposes only.*

[Product Photo](#)
**Searchable Features:**

Brand:	AMP
Product Type:	Connector
Connector Type:	Duplex SC
Mode:	Singlemode
Strain Relief:	With
EMI Shielded Flange:	No
Epoxyless:	No
Pre-Polished:	No
Connector Style:	One Piece
Cable Diameter (mm [in]):	3.00 [.120]
Hole Size:	126 µm
Housing Color:	Blue

**Other Properties:**

Operating Temperature (°C):	-40 to +85
With Dust Cover:	Yes
Crimp Eyelet Material:	Copper
Crimp Eyelet Finish:	Tin
Strain Relief Material:	Thermoplastic Elastomer

- [Home](#)
- [Part Number Search](#)
- [Text Search](#)
- [Alternate Part Search](#)
- [Multiple Part Comparison](#)
- [Alphabetical Search](#)
- [Brand Search](#)
- [Industry Product Search](#)
- [Product Type Search](#)
- [Product Family Search](#)
- [Competitor Cross Reference](#)
- [Document Number Search](#)
- [Lead Free Solutions](#)
- [Help/Glossary](#)

<b>NETCONNECT Select System:</b>	No
<b>AMP Logo:</b>	With

---

[Copyright](#) and [Privacy Statement](#)

Visit [Tyco International, Ltd.](#)

[Products](#) | [eCatalog](#) | [Brands](#) | [Industries](#) | [eCommerce](#) | [Customer Service](#) | [About](#) | [Home](#)