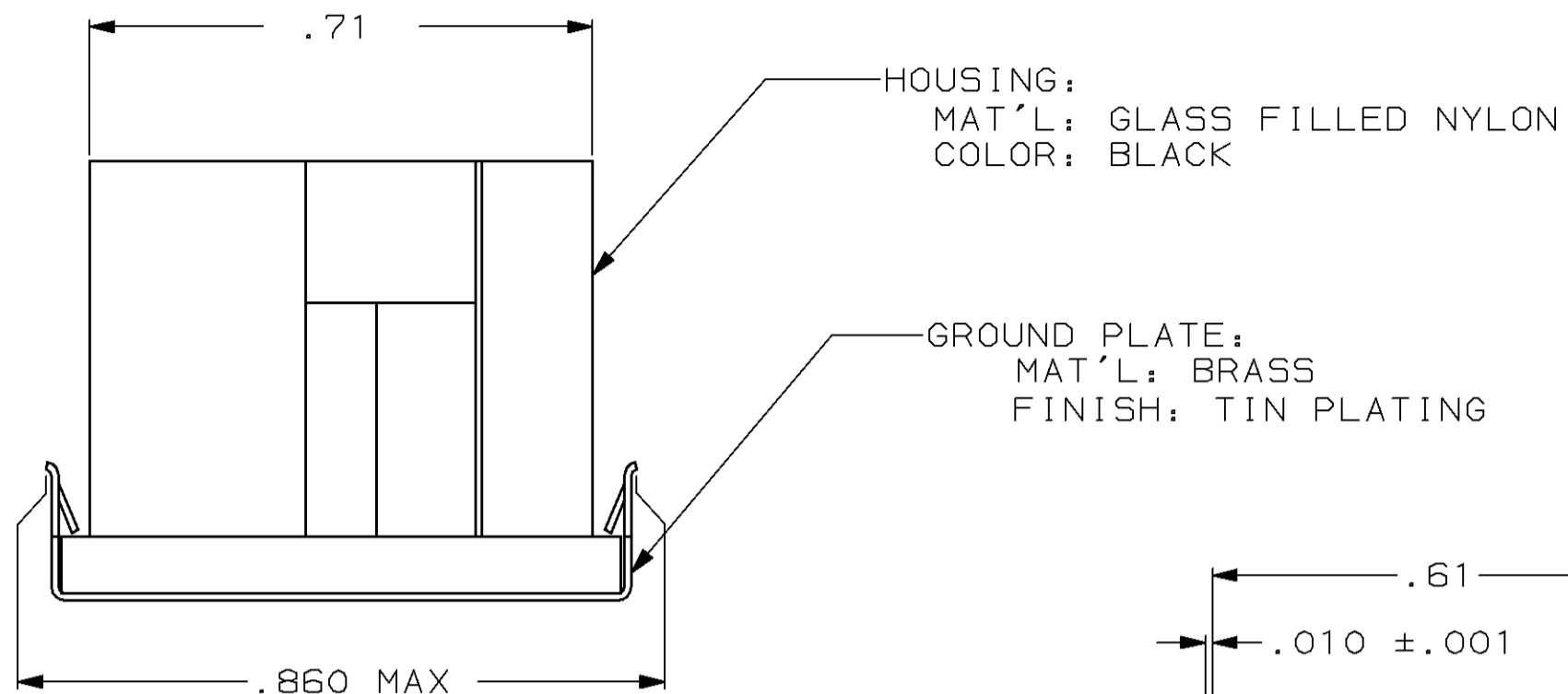
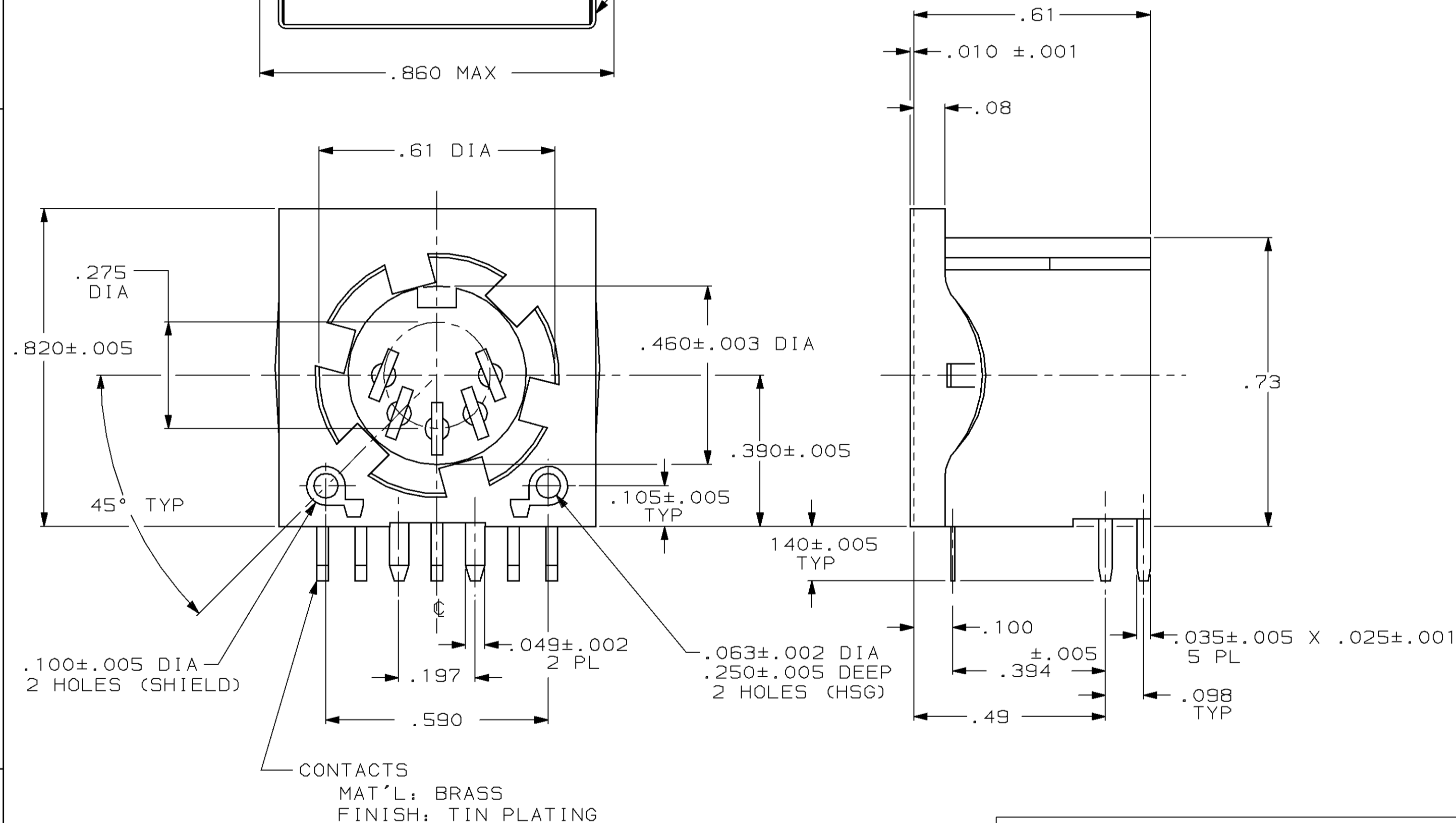


THIS DRAWING IS UNPUBLISHED. RELEASED FOR PUBLICATION ,19 .
 © COPYRIGHT 19 BY AMP INCORPORATED, HARRISBURG, PA. ALL INTERNATIONAL RIGHTS RESERVED. AMP PRODUCTS MAY BE COVERED BY U.S. AND FOREIGN PATENTS AND/OR PATENTS PENDING.

LOC	DIST	P	F	ZONE	LTR	DESCRIPTION	DATE	APPROVED
BD	20				A	REVISED PER AF1860	4/30/86	
					B	REVISED AF-2105	9/11/86	JR MAV
					C	REVISED AF-2278	11-13-86	JR GY
					D	REVISED AF-4688	6-29-87	DN
					E	ADDED -2 PER NPR 3502	5-6-91	RW
					F	REV PER EC0020-1394-93	12/21/93	SK



1 MATES WITH (5) POS. SHIELDED DIN PLUG (P/N 212440)
 2 REFER TO APPLICATION SPEC. 114-2105 FOR PCB MOUNTING INFORMATION AND CIRCUIT I.D.



TUBE	520842-2
GANG OF TUBES	520842-1
PACKAGING TYPE	PART NO

UNLESS OTHERWISE SPECIFIED DIMENSIONS ARE IN INCHES TOLERANCES ON :	DR	S. SCHAFFHAUSER	04/30/86
	CHK	G. YETTER	04/30/86
	APPD	C. OHL	04/30/86
MATERIAL	APPD	C. RHODE	04/30/86
	PRODUCT SPEC		
FINISH	APPLICATION SPEC		
	WEIGHT		

AMP INCORPORATED Harrisburg, Pa. 17105		
SIZE	FSCM NO	DRAWING NO
C	00779	520842
SCALE N.T.S.		SHEET 1 OF 1

Current Brand View	View All Tyco Electronics Brands Click to activate links to all other products
AMP	

Circular DIN Connectors**Shielded Circular DIN Connectors****AMP****520842-1** -- 4 of 9 products**Active** [Active](#)**(Tyco Electronics P/N: 520842-1)**

Previous	Next	Sales Information	AMP ACES	Step Search Screen
			Related Documents	General Information
			Pricing	Product Availability

Please use the customer drawing for all design activity.

- **Customer Drawing: 520842**, Rev. F
Document Title: CIRCULAR DIN SHIELDED RECEPTACLE, 5 POSITION

[172651.pdf](#) [172651.pdf](#) (44K)

The photographs and/or line drawings below are representative images of a product for viewing purposes only.

[PCB Layout](#)

Searchable Features:

Brand:	AMP
Product Type:	Connector
Gender:	Receptacle
Shielded:	Yes
Grounding Fingers:	Without
No. of Panel Mount Holes:	2
No. of Positions:	5

Other Properties:

Housing Material:	Nylon
Contact Material:	Brass
Contact Mating Area Plating:	Tin
Housing Color:	Black
Housing Material Flammability Rating:	UL 94V-0
Comment:	For applications requiring a 3-position connector, use a 5-position connector (contact positions 4 and 5 not used).

- [Home](#)
- [Part Number Search](#)
- [Text Search](#)
- [Alternate Part Search](#)
- [Multiple Part Comparison](#)
- [Alphabetical Search](#)
- [Brand Search](#)
- [Industry Product Search](#)
- [Product Type Search](#)
- [Product Family Search](#)
- [Competitor Cross Reference](#)
- [Document Number Search](#)
- [Lead Free Solutions](#)
- [Help/Glossary](#)

[Copyright](#) and [Privacy Statement](#)

Visit [Tyco International, Ltd.](#)

[Products](#) | [eCatalog](#) | [Brands](#) | [Industries](#) | [eCommerce](#) | [Customer Service](#) | [About](#) | [Home](#)