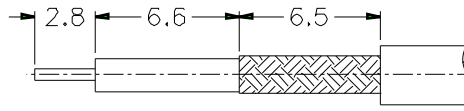
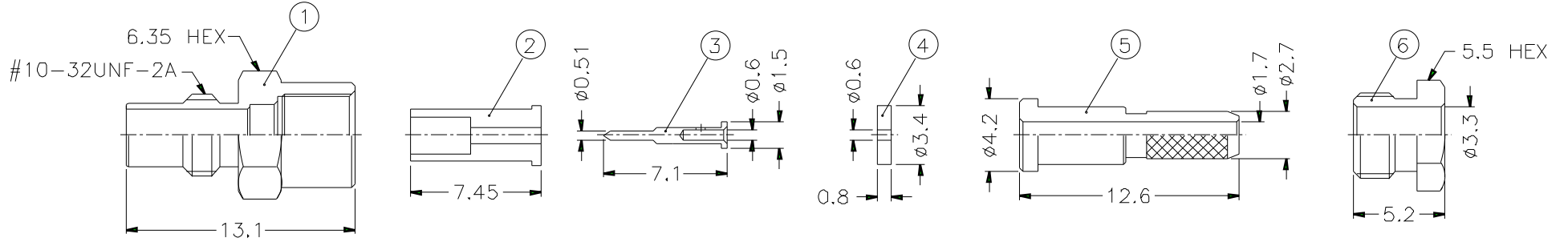


REVISIONS			
ISS	ZONE	DESCRIPTION\PER REQUEST\DATE	

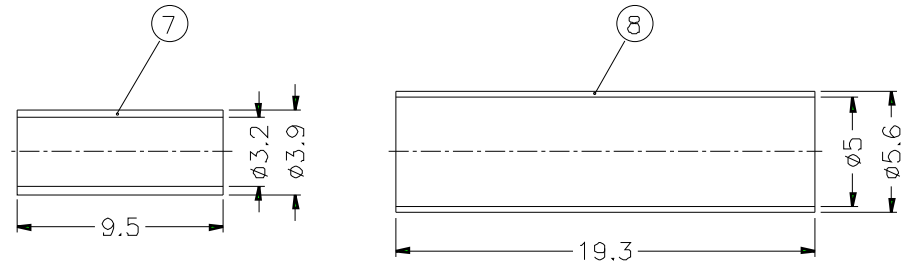


RECOMMENDED  
CABLE STRIPPING DIM'S



1. CRIMPED FERRULE  
HEX CRIMP SIZE .128"

- NOTES: FINISH (PLATING THICKNESS IN MICRO-INCHES)
1. BRASS PER QQ-B-626
  2. NICKEL PL. 100 MIN. THICK OVER COPPER STRIKE
  3. GOLD PL. 30 MIN. THICK OVER NICKEL PL. 100 MIN. THICK OVER COPPER STRIKE
  4. TEFLON MIL-P-19468
  5. JIS H 3250, C 2700



8	HEAT SHRINK TUBING			1	HT-56/5X193
7	FERRULE	NOTE 5	NOTE 2	1	FR-39/32X95
6	HEX NUT	NOTE 1	NOTE 2	1	SMB5003-7-55/33
5	BARREL	NOTE 1	NOTE 2	1	SMB5003-6-27/17
4	INSULATOR	NOTE 4	NATURAL	1	SMB7003-4T-50
3	CONTACT PIN	NOTE 1	NOTE 3	1	SMB7003-3-15/Q6-B
2	INSULATOR	NOTE 4	NATURAL	1	SMB7003-2T-50-A
1	BODY	NOTE 1	NOTE 2	1	SMC1121G1-1
NO.	DESCRIPTION	MATERIAL	FINISH	Q'TY	DRAWING NO

DIMENSIONS ARE IN MILLIMETERS		
UNLESS OTHERWISE SPECIFIED TOLERANCES		
0.5-6	=	±0.2
6-30	=	±0.4
30-120	=	±0.6
120-315	=	±1
315-1000	=	±1.6
1000-2000	=	±2.4
SCALE	3/1	ISSUE
A		
FILE NO.	PART NO. SMC1121G1-NT30G-5-50	
	APPROVED	DATE 10-11-01'
	CHECKED	DATE 10-11-01'
	DRAWN	DATE 10-11-01'

<b>Amphenol</b>	
TITLE SMC CRIMP JACK (FOR RG-174/U,188A/U,316/U)	
DRAWING NO. KJ-SMC1121G1-NT30G-316U-50	
ITEM NO.	

1	2	3	4	5	6	7	8
---	---	---	---	---	---	---	---