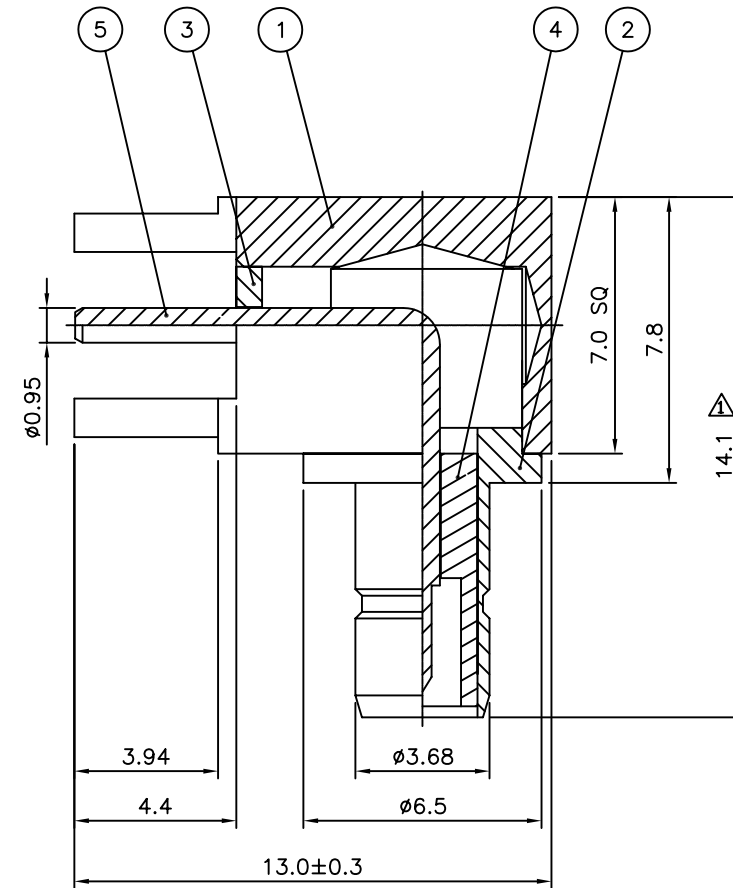
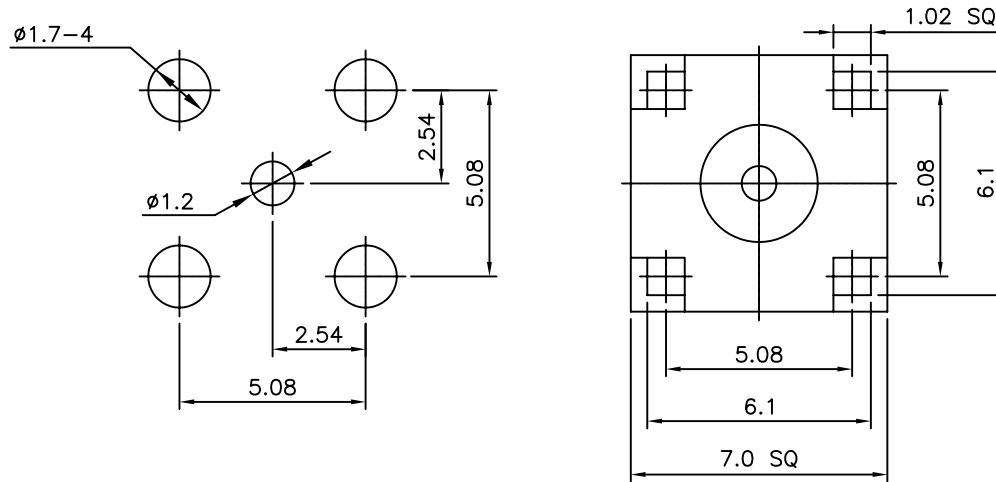


Coaxial Contact Impedance: 75 Ohms



5	Pin	Brass	Gold 30" Min.	1
4	Insulator	Teflon	White	1
3	Insulator	Teflon	White	1
2	Body	Brass	Gold 5" Min.	1
1	Body	Brass	Gold 5" Min.	1
NO	DESCRIPTION	MATERIAL	FINISH	Q'TY

AUK A MEMBER OF AUK GROUP
太聯事業股份有限公司
AUK CONTRACTORS CO., LTD.

CATEGORY		APPROVED BY MEI		UNLESS OTHERWISE SPECIFIED TOLERANCES ARE .X ±0.38 .XX ±0.25 ANG.				
PART No. SMB-JR50		CHECKED BY BECKY						
DRAWING No. SMB-JR50		DRAWING BY TCF			△ A1	Change Dim.: 14.2±0.3 → 14.1	BECKY	2004/12/28
SCALE	NONE	REV.	A0	UNIT mm	△ A0	NEW RELEASE		
					NO. REV.	REVISIONS	CHK	DATE