

Frequency range to 3GHz • Middle size Coaxial Connectors  
Threaded coupling (5/8-24UNEF)

## N Series Connectors

# JAE

N series coaxial connectors are middle size with threaded coupling, conforming to the general purpose standards (MIL-C-39012, JIS C 5411).

Applicable frequencies: from DC up to 3 GHz. High performance with a VSWR (voltage standing wave ratio) of 1.2 or less.

- A wide variety of products enable various mounting styles.
- Environmental rugged construction.
- A high degree of reliability provides stable electric continuity and high frequency performance.
- For the cable application type, harnessed connectors which satisfy your specification are supplied.

### APPLICATIONS

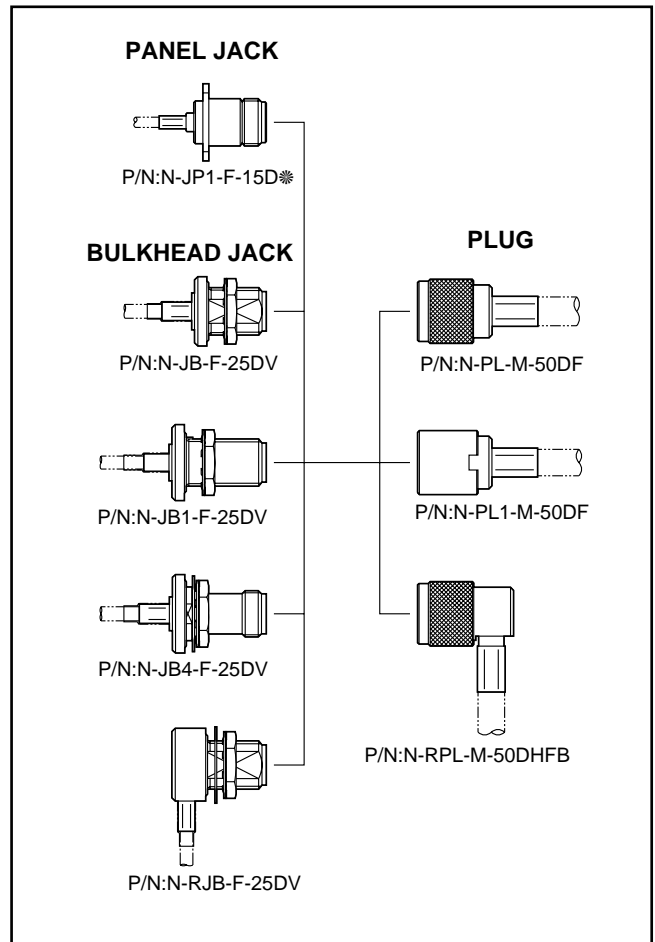
Telecommunications and instrumentation,  
Communications Equipment, Measuring Instruments.

### GENERAL SPECIFICATIONS

<b>Applicable Frequency Range</b>	DC to 3GHz
<b>Impedance</b>	50 ohms
<b>V.S.W.R.</b>	1.2 max.(DC to 3GHz)
<b>D.W.Voltage</b>	1500 VACr.m.s.
<b>Insulation Resistance</b>	5000 megohms min.(500 VDC)
<b>Contact Resistance</b>	Center Contacts: 10 milliohms max. Outer Contacts: 2.5 milliohms max.
<b>Applicable Cable</b>	1.5D-2V,1.5D-2W,2.5D-2V,5D-HFB



### TYPES & COMBINATIONS



\* The products and specifications contained in this catalog are subject to change without notice. When considering use of or placing an order for products included in this catalog, please check first with our sales department.