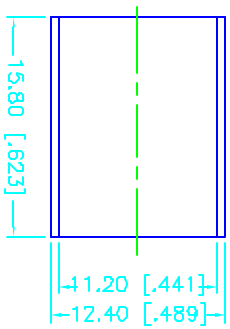
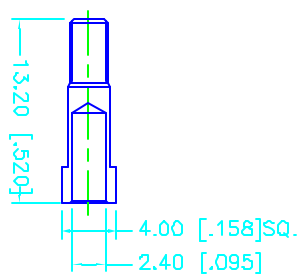
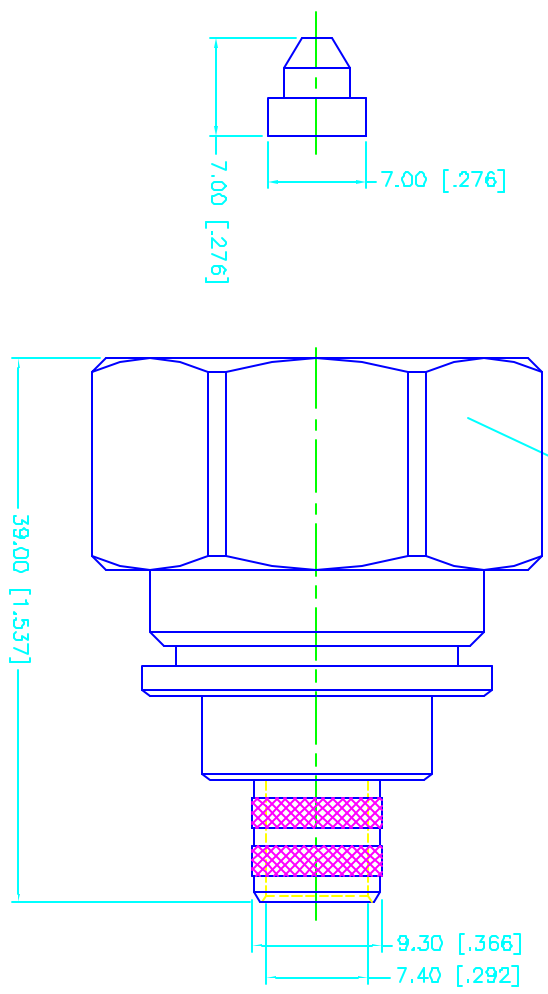
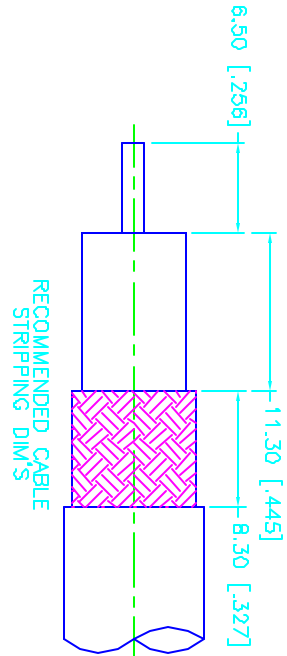


REV.	DATE	DESCRIPTION
A	12/29/00	UPDATE PLATING TO SILVER



- NOTES: FINISH (PLATING THICKNESS IN MICRO-INCHES)
1. BRASS PER QQ-B-626
  2. SILVER PL. 120 MIN. THICK OVER COPPER STRIKE
  3. BERYLLIUM COPPER PER QQ-C-530.
  4. SILVER PL. 200 MIN. THICK OVER COPPER STRIKE
  5. TEFLON MIL-P-1946B

DESCRIPTION	MATERIAL	FINISH	UNLESS OTHERWISE SPECIFIED DIMENSIONS IN [ ] ARE IN INCHES DIMENSIONS ARE IN MILLIMETERS FOR CUSTOMER REFERENCE ONLY	APPROVALS	DATE	TITLE
1 HOUSING	BRASS	SILVER	UNLESS OTHERWISE SPECIFIED TOLERANCES FOR MILLIMETERS ARE: 0.5-6 = ± 0.2 6-30 = ± 0.4 30-120 = ± 0.6 120-375 = ± 1 375-1000 = ± 1.6 1000-2000 = ± 2.4	DRAWN	12/29/00	<b>Comnex Corporation</b> Connector Corporation 7/16 CRIMP PLUG (FOR 214/U CABLE)
2 BODY	BRASS	SILVER		CHECKED		
3 INSULATOR	TEFLON	NATURAL		ISSUED		
4 CONTACT PIN	BRASS	SILVER				
5 FERRULE	COPPER	SILVER				
6 COVER	PE	BLUE				
7						
8				DO NOT SCALE DRAWING		
				SCALE	NA	PART NO.
						272106
				SHEET		1 OF 1
				REV.		A