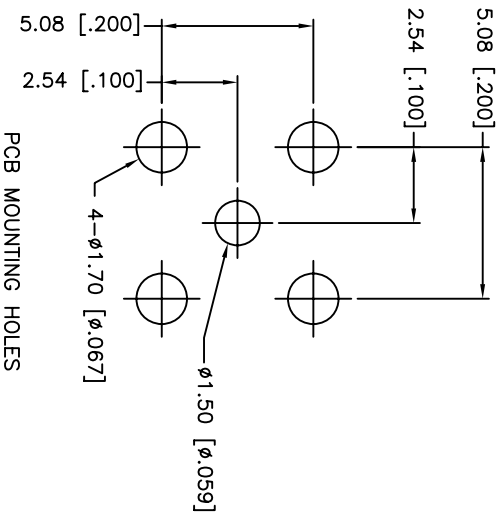
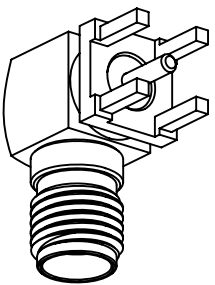
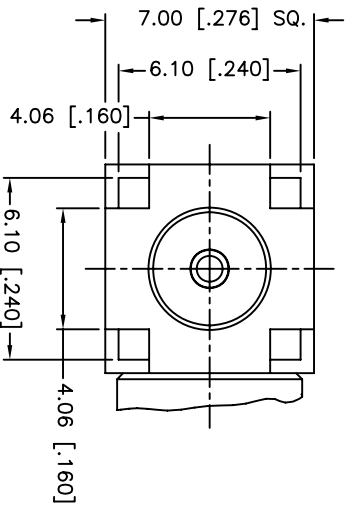
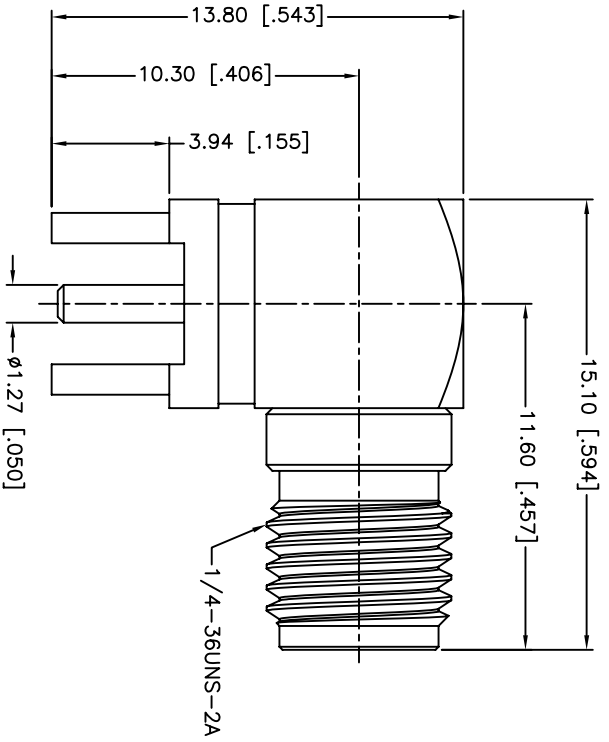


REV.	DATE	ECR NO.	DESCRIPTION
A	07/27/97	XXXXXX	INITIAL RELEASE
B	02/04/03	XXXXXX	UPDATE DRAWING FORMAT
C	05/28/12	2317	CHANGE THE PLATING OF CENTER CONTACT



1. IMPEDANCE: 50 OHM
2. FREQUENCY RANGE: DC 0-6 GHz
3. VSWR: 1.3 MAX.
4. DIELECTRIC WITHSTANDING VOLTAGE: 1000 VRMS, MIN.
5. DURABILITY: 500 CYCLES MIN.
6. TEMPERATURE RANGE: -65°C TO +165°C

**Amphenol Connex**

SMA R/A P.C. MOUNT JACK

PART DESCRIPTION

PART NO. 132136

QTY	FINISH	MATERIAL	DESCRIPTION
1	NATURAL	PTFE	INSULATOR
1	GOLD	BER. COPPER	CONTACT PIN
1	NATURAL	PTFE	INSULATOR
1	GOLD	BRASS	HOUSING WITH BODY

UNLESS OTHERWISE SPECIFIED, DIMENSIONS ARE IN INCHES AND FOR CUSTOMER REFERENCE ONLY.

UNLESS OTHERWISE SPECIFIED, TOLERANCES FOR MILLIMETERS ARE:

0.5 - 8mm ± 0.20mm  
8 - 30mm ± 0.40mm  
30 - 120mm ± 0.50mm

UNLESS OTHERWISE SPECIFIED, TOLERANCES FOR INCHES ARE:

.020 - .315 = ± 0.007"  
.315 - 1.180 = ± 0.015"  
1.180 - 4.724 = ± 0.020"

DO NOT SCALE DRAWING

APPROVALS	DATE
DRAWN M.ZHANG	05/28/12
CHECKED	
ISSUED	
SHEET 1 OF 1	

APPROVALS	DATE
DRAWN M.ZHANG	05/28/12
CHECKED	
ISSUED	
SHEET 1 OF 1	