

DATA CONTAINED IN THIS DOCUMENT IS PROPRIETARY TO TROMPETER ELECTRONICS INC. AND SHALL NOT BE DISCLOSED, COPIED OR USED FOR PROCUREMENT OR MANUFACTURE WITHOUT EXPRESS WRITTEN PERMISSION OF TROMPETER ELECTRONICS INC.

REVISIONS

5-0012

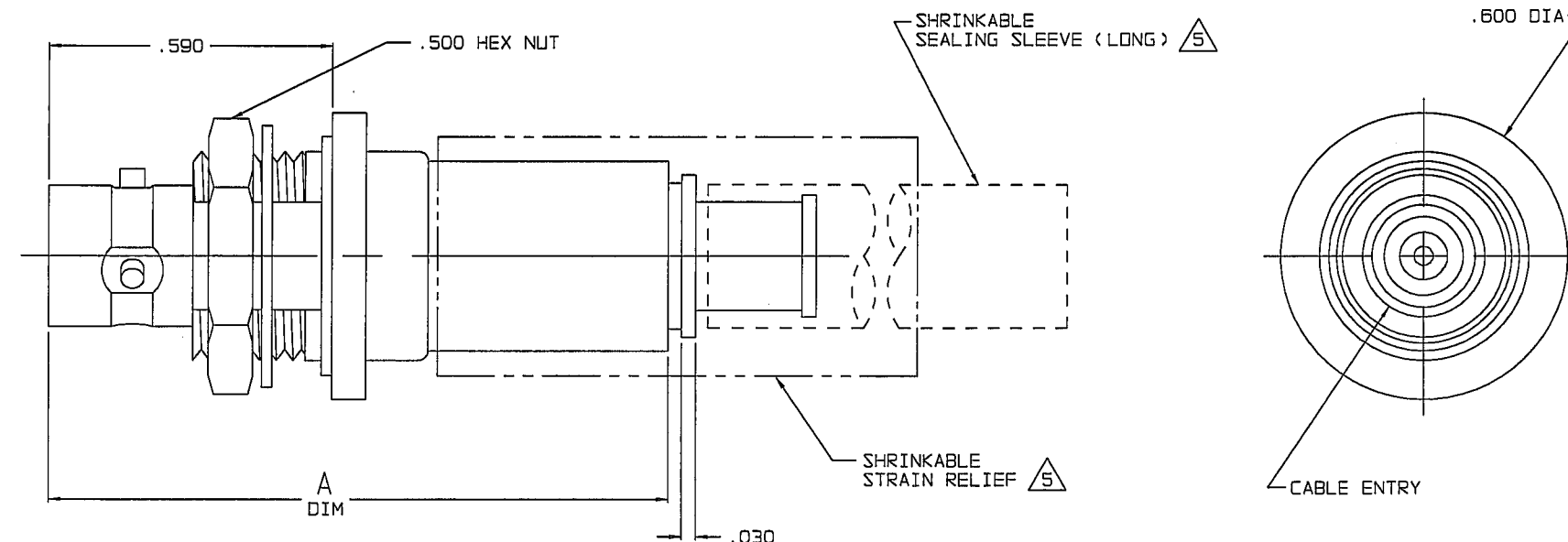
SH 1

REV	REVISED PER ECD 15536	DATE	APPROVED
B	PRODUCTION RELEASE	15536 7/19/04	WJ

DASH NO	CABLES ACCOMMODATED	A DIM	B HEX	ASSEMBLE PER
-201	M17/176-00002			
-202	TWC-78-1			
-203	TWC-124-1A	1.164	.255	TAI-143
-204	10602, RAYCHEM			
-205	TWAC-78-1F2			
-206	782600130, RAYCHEM			
-207	83310 BELDEN	1.289	.344	TAI-167
-208	202-3927 MICRODOT			
-209	202-3942 MICRODOT	1.164	.255	TAI-143
-210	8451 BELDEN			TAI-167
-211	202-3934 MICRODOT			
-212	2524E0114, RAYCHEM			
-213	TWC-78-2	1.289	.344	TAI-144
-214	TWC-124-2			
-215	BL-982 TIMES			
-216	BL-1242 TIMES			
-217	GC875TM24H, GRUMMAN			
-218	EPD 22188B, RAYCHEM			
-219	2526D1114, RAYCHEM			
-220	GC875RR1, GRUMMAN	1.164	.255	TAI-143
-221	10614, RAYCHEM			
-222	10613, RAYCHEM			
-223	HMS2-1149, HUGHES			
-224	TWCP-124-3	1.289	.344	TAI-144
-225	PS665PL, PRIME STOCK			

DASH NO	CABLES ACCOMMODATED	A DIM	B HEX	ASSEMBLE PER
-301	GC875GC1, GRUMMAN			
-302	GC875GB1, GRUMMAN 5022E5111, RAYCHEM	1.164	.255	TAI-157
-303	7528A5314, RAYCHEM			
-304				
-305	M17/177-00001/ 295-3804-MICRODOT			TAI-173
-306	TRC-50-2 M17/134-00002	1.289	.344	
-307	TRC-75-1			TAI-198
-308	TRC-75-2			TAI-173
-309	TRC-50-1	1.164	.255	TAI-157

RED INDICATES ORIGINAL



-207 SHOWN

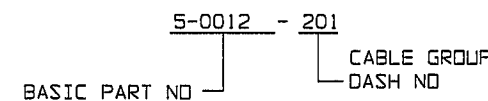
1 SHRINKABLE STRAIN RELIEF AND/OR SHRINKABLE SEALING SLEEVE SUPPLIED LOOSE AS FOLLOWS:

- a. CABLE GROUPS -207, -210 & -307:
 - 1 SHRINKABLE STRAIN RELIEF (1.00 LONG)
 - 1 SHRINKABLE SEALING SLEEVE (1.25 LONG)
- b. CABLE GROUPS -201 THROUGH -206, -208, -209, -217 THROUGH -223, -301, -302, -303 & -309:
 - 1 SHRINKABLE SEALING SLEEVE (1.25 LONG)
- c. CABLE GROUPS -211 THROUGH -216, -224, -225, -305, -306, AND -308:
 - 1 SHRINKABLE STRAIN RELIEF (1.75 LONG)

2 CHECK WITH CABLE MANUFACTURER FOR OUTGASSING PROPERTIES OF THE SELECTED CABLE

3 ALL MATERIALS MEET THE OUTGASSING REQUIREMENTS OF NASA SPECIFICATION SP-R-0022A AND TEI VACUUM READY SPECIFICATION TT-09

4 EXAMPLE OF COMPLETE PART NO.

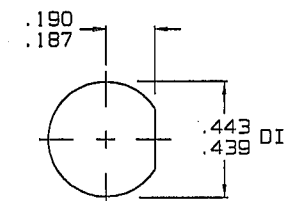


5 MAX PANEL THK .125

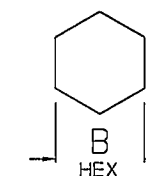
6 3-LUG SUBMINIATURE CONCENTRIC TWINAX (4 PIECE ASSY) AND TRIAX (6 PIECE ASSY) FULL CRIMP NONINSULATED BULKHEAD MOUNT RECEPTACLE, SPACE RATED

7 FINISH: TFS-1A (NICKEL)

8 ALL DIMENSIONS ARE IN INCHES



RECOMMENDED
PANEL CUTOUT
SCALE: NONE



RECOMMENDED
HEX CRIMP
SCALE: NONE

INTERPRET DRAWING PER MIL-STD-100 DIMENSIONS ARE IN INCHES AND INCLUDE FINISH THICKNESS UNLESS OTHERWISE SPECIFIED		TOL: UNLESS SPECIFIED .XX ± .03 .XXX ± .005 .XXXX ± .005		TROMPETER ELECTRONICS, INC.
DRAWN AAH	DATE 7-2-04	MATERIAL:		
CHECKED KMask	DATE 7/15/04	FINISH:		TITLE: BJ159AC SPACE RATED
QUALITY WJ	DATE 7/19/04	SCALE N/A		DRAWING NO. 5-0012
HANDLE WJ	DATE 7/19/04	DATE 5-17-04		REV. B
APPROVED WJ	DATE 7/19/04	SHEET 1C		
CAD FILE NO. 5-0012B	DO NOT SCALE DNG			