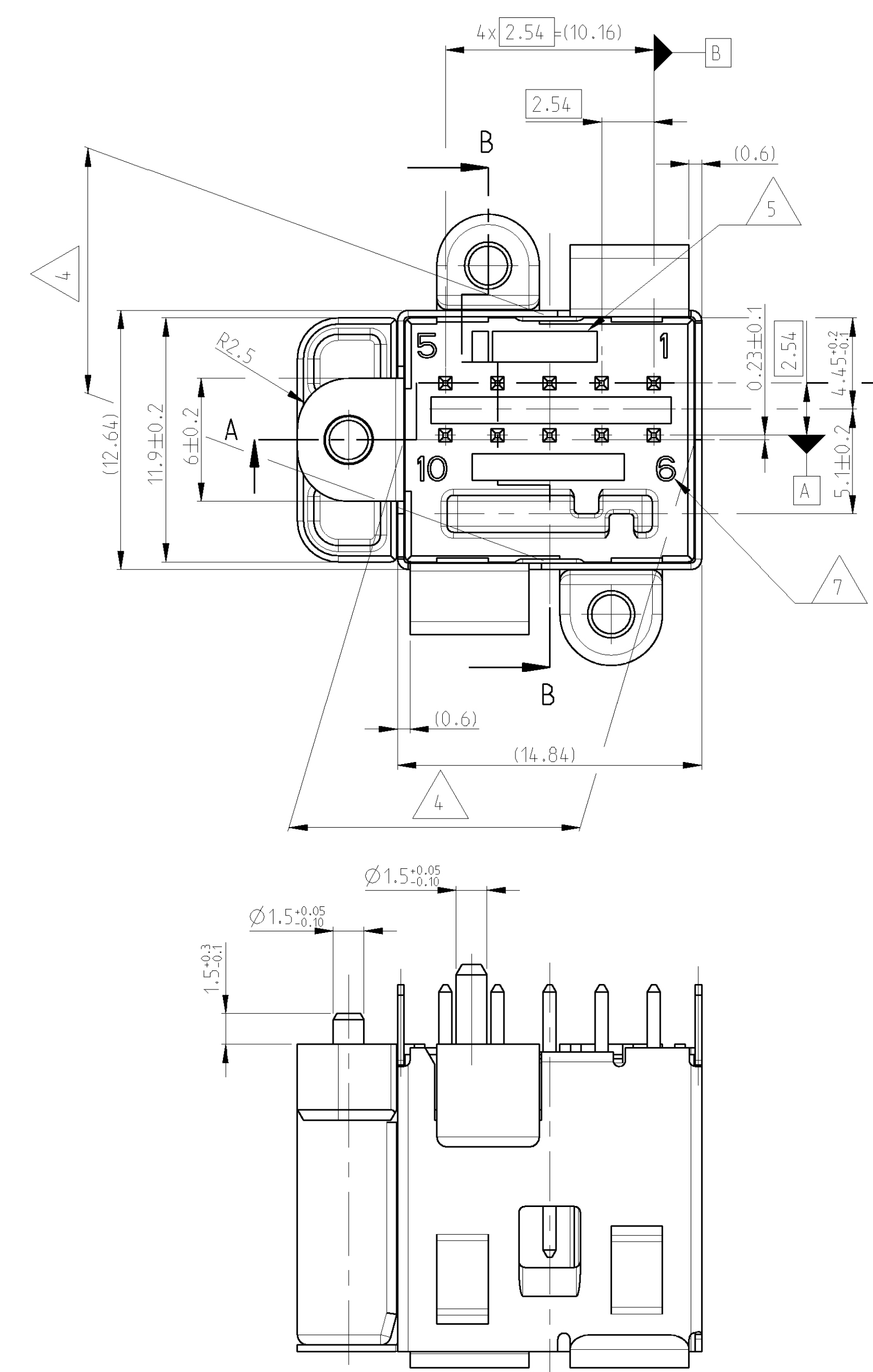
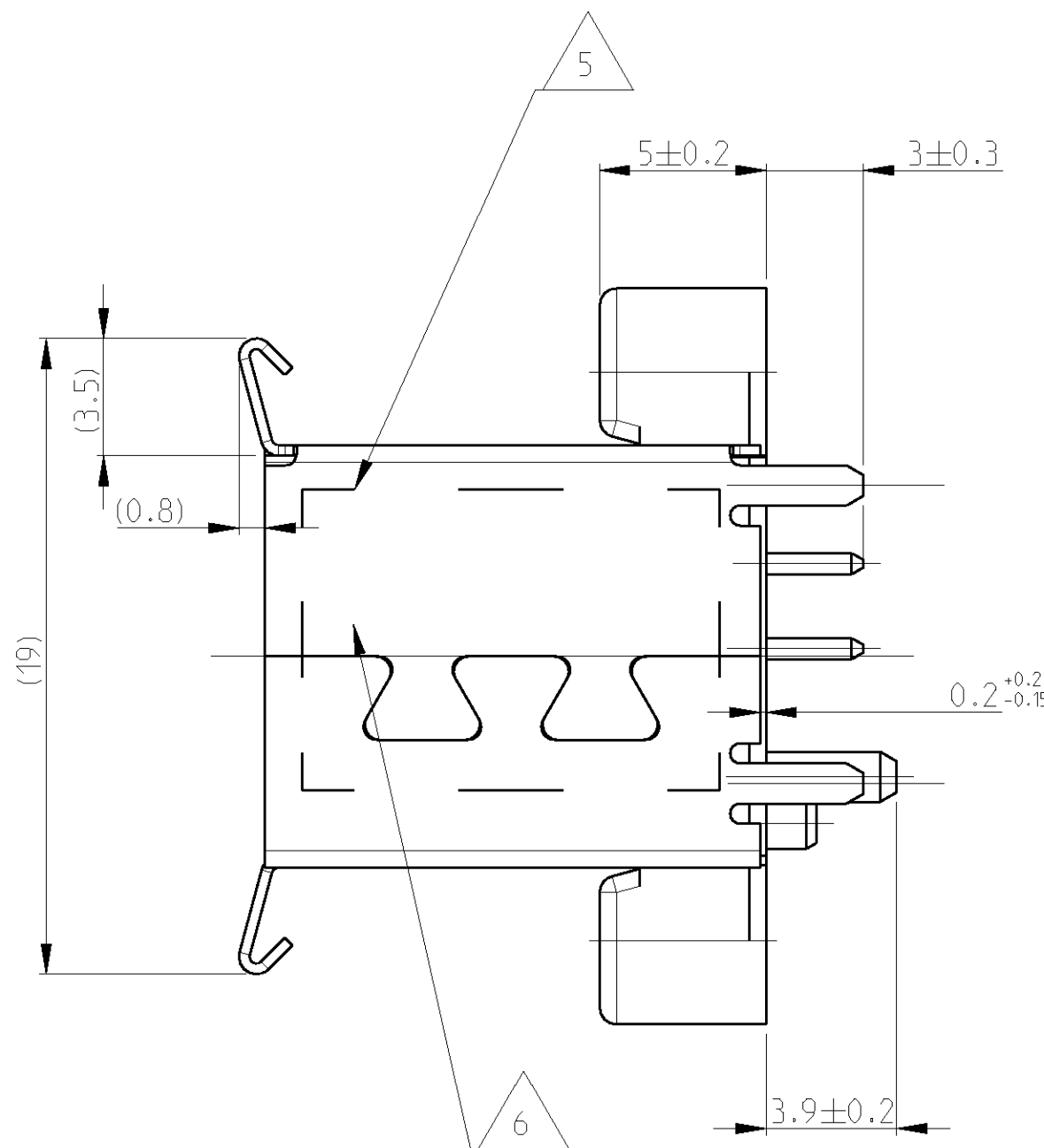
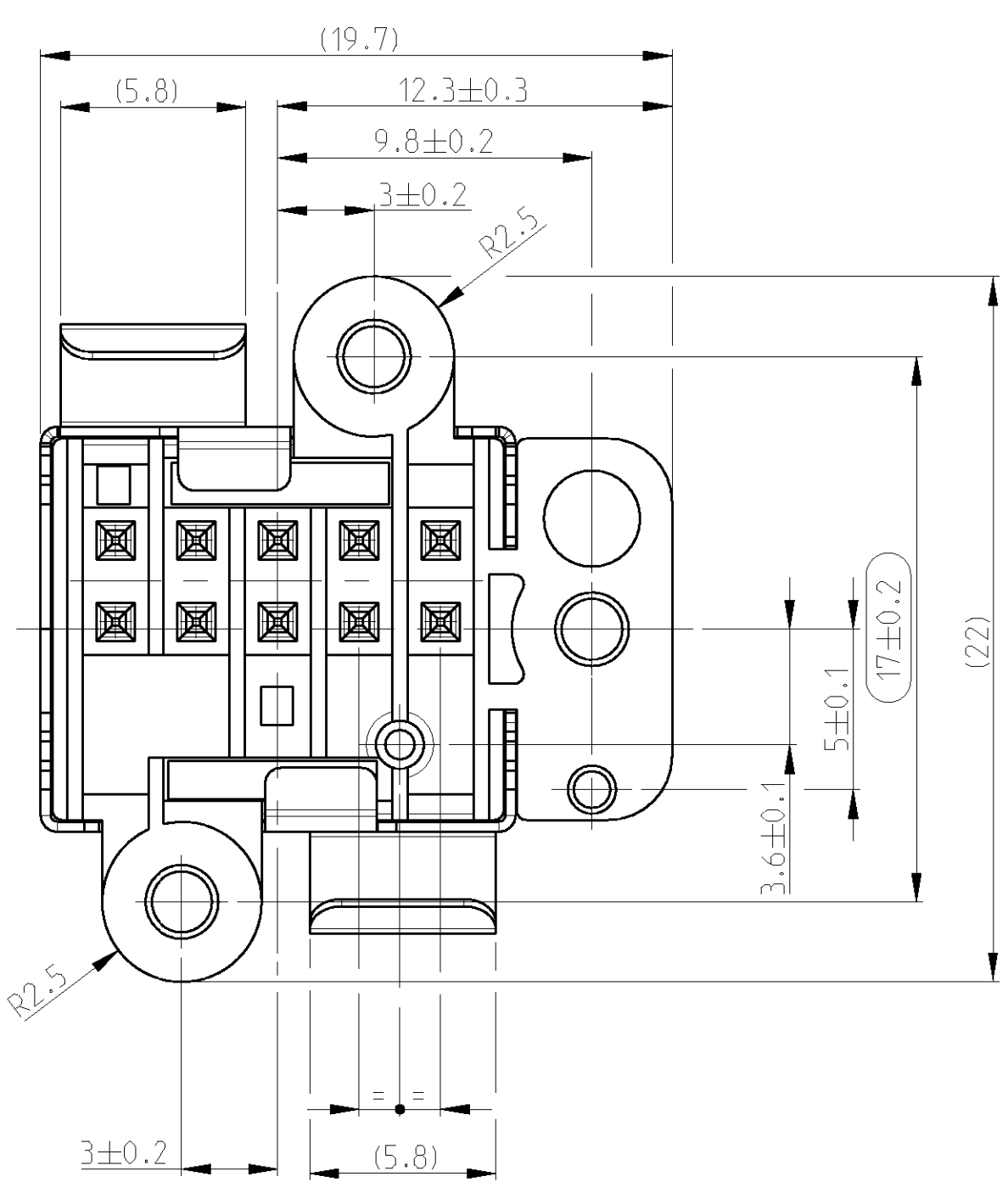
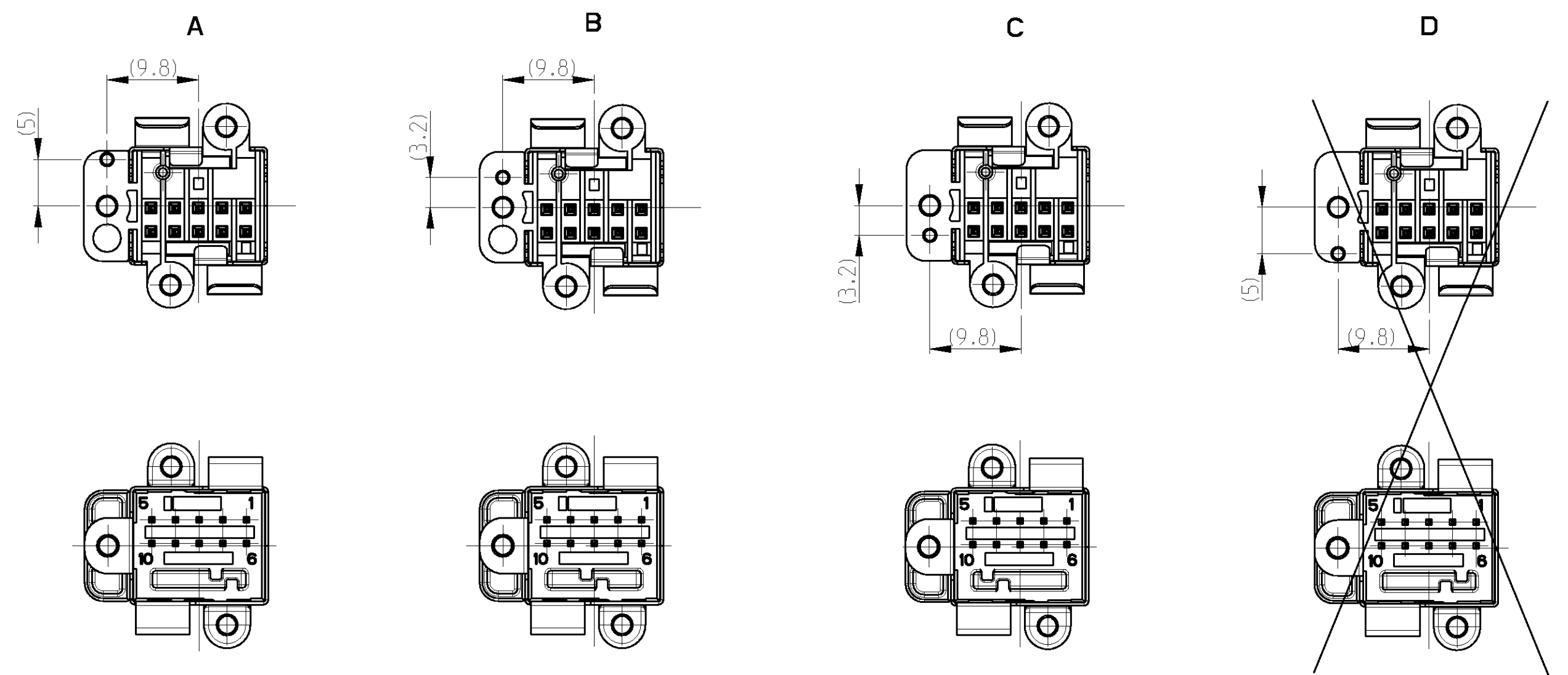
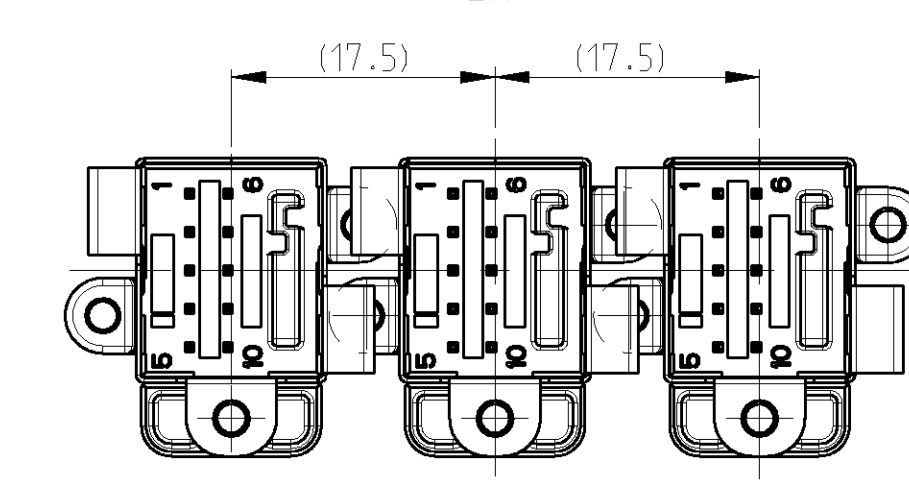


**CODINGS
Kodierungen**
2:1

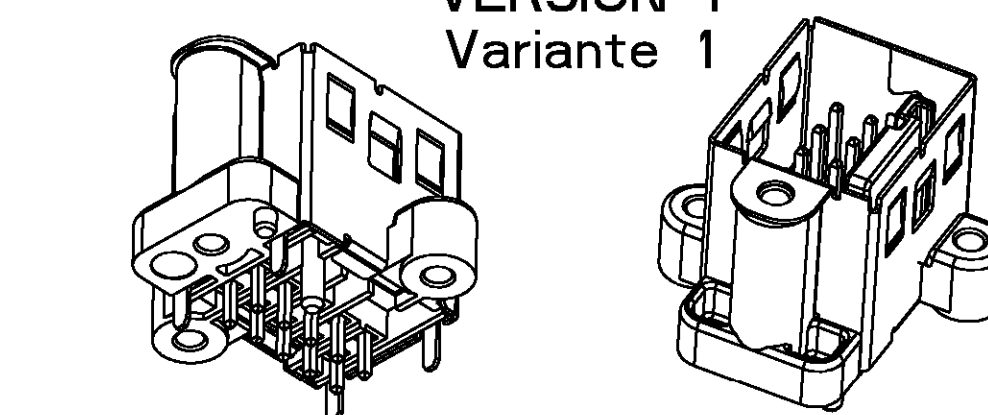


**ASSEMBLY PITCH
Einbau-Raster**
2:1

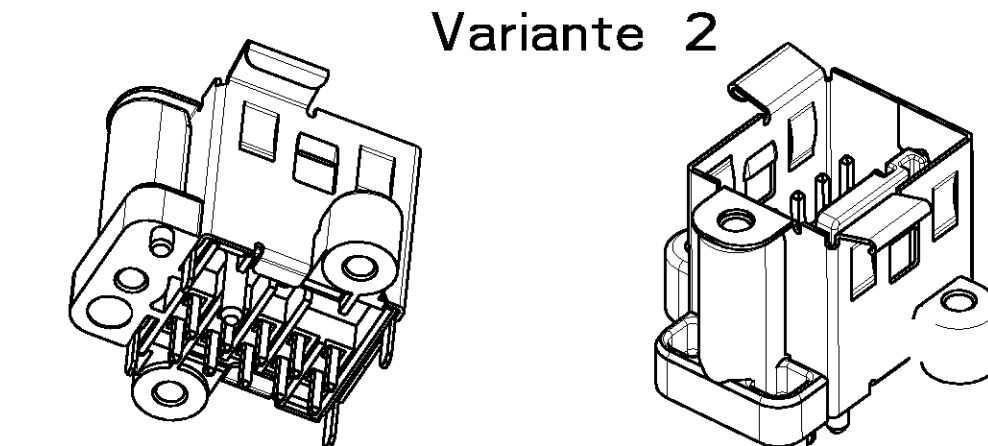


REV.	DATE	BY	CHK.	APP.
A	03.06.2005	GRD	JWU	
A1	22.06.2005	DME		
A2	03.08.2006	KS	HS	
A3	23.04.2006	KS	HS	
B	07.04.2006	DME		
B1	30.04.2007	DME		
B2	09.02.2007	DME		

**VERSION 1
Variante 1**



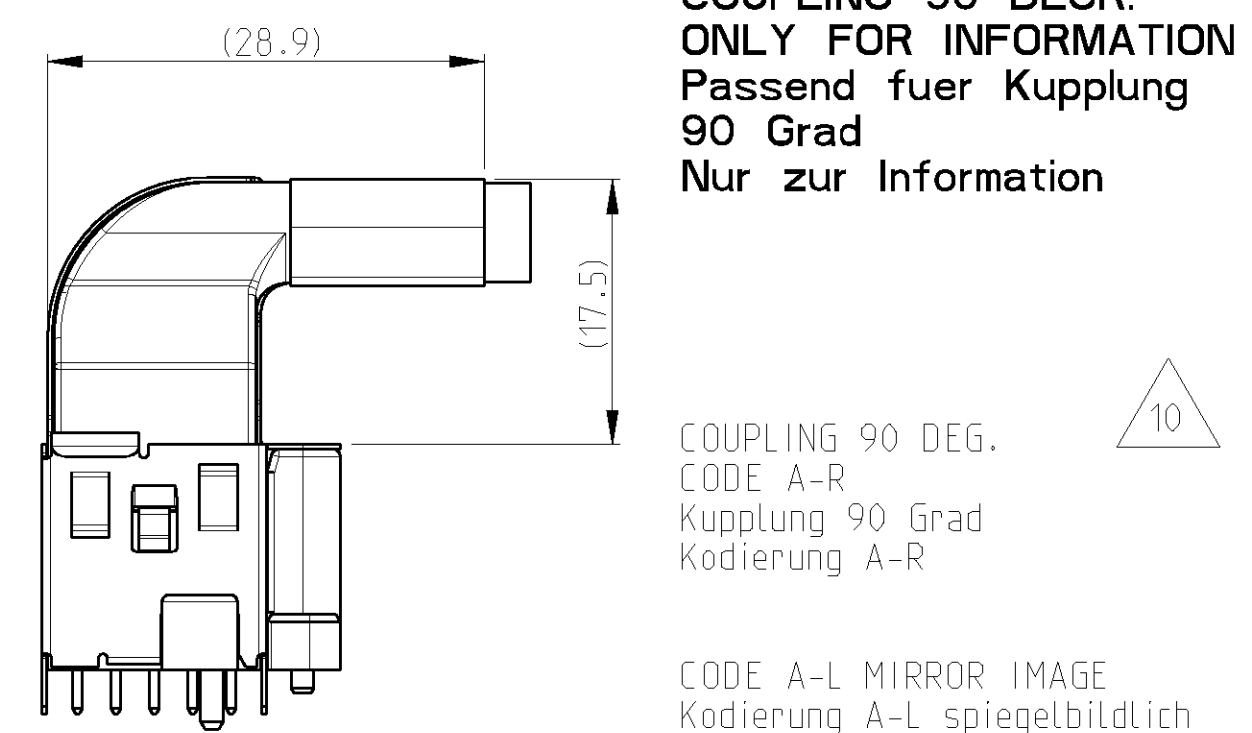
**VERSION 2
Variante 2**



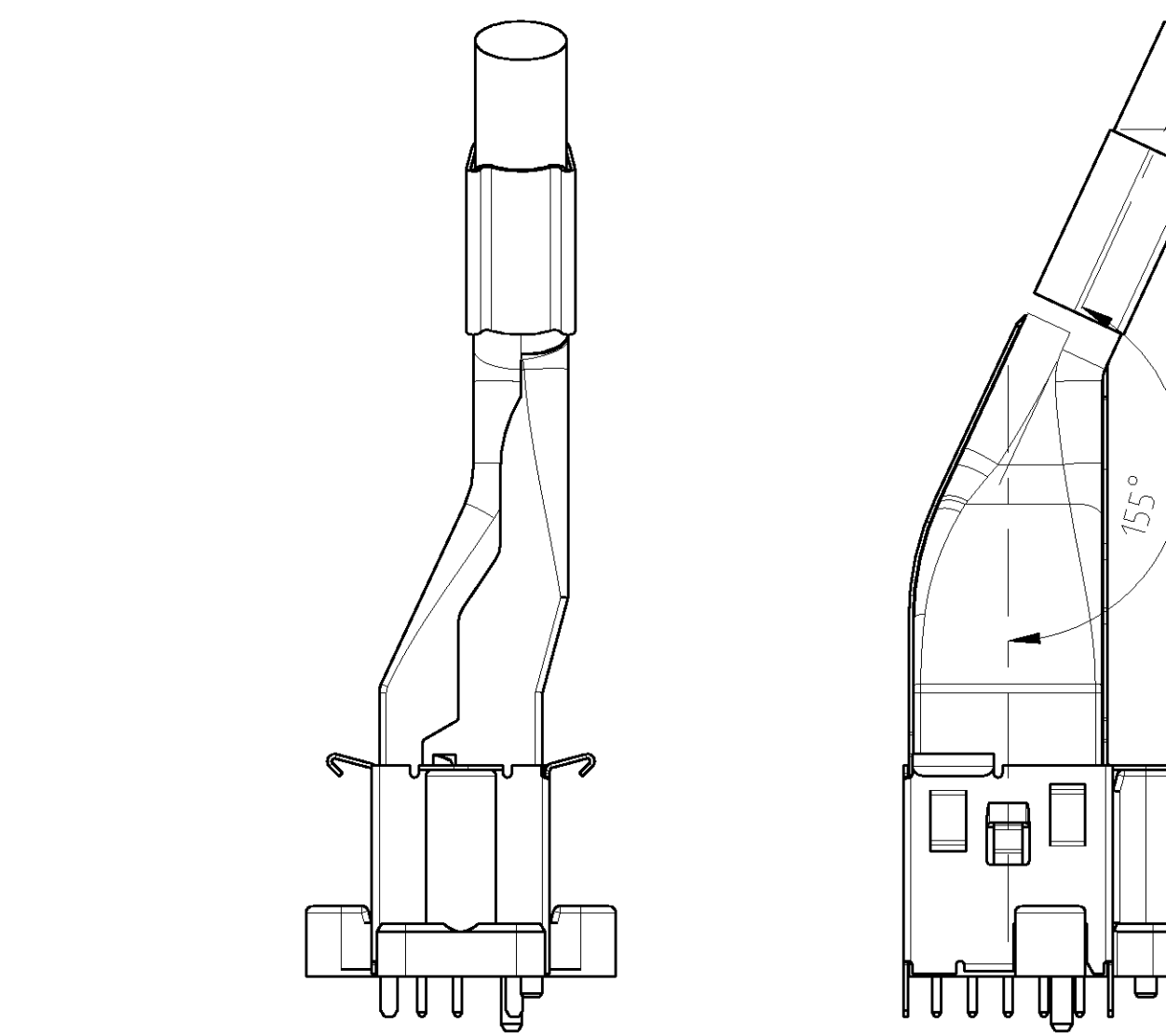
- NOTES**
Bemerkungen
- 1 ONLY THE GERMAN LANGUAGE VERSION AUTHORITY. Maßgebend ist der deutsche Text
 - 2 PRODUCTION BRACKET TO PACK UP IN THE CARDBOARD. Produktträger verpackt in Karton
 - 3 PRODUCTION BRACKET TO PACK UP IN THE VDO-BOX. Produktträger verpackt in VDO-Box
 - 4 WARPAGE PERMITTED MAX. +/-0.3MM. Verzug zulaessig max. +/-0.3mm
 - 5 SUPPLIER-MARK. Lieferanten-Kennzeichnung
 - 6 DATE CODE. Herstellungskennung
 - 7 CAVITY MARKING. Kammernummern
 - 8 NOT SPECIFIED DIMENSIONS SEE SPECIFICATION: 114-18654-1. Fehlende Maße siehe Ausfuhrungsvorschrift.
 - 9 REFERENCE SREW FOR CONNECTION WITH PCB: EJOT PT K22 TORX. Referenzschraube zur Verbindung mit PCB: EJOT PT K22 Torx TORQUE TORX-SCHREIB: Anzugsmomnt Torx-Schraube: 30+5 Ncm

CODING 1- 4 AS SHOWN
Kodierung 1- 4 wie gezeichnet

ACCORDING TO COUPLING 90 DEGR. ONLY FOR INFORMATION. Passend fuer Kupplung 90 Grad. Nur zur Information

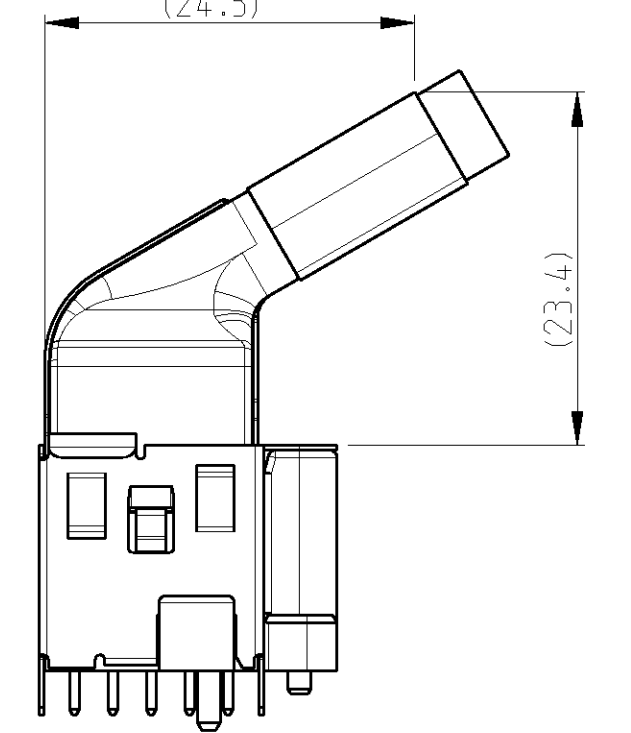


COUPLING 90 DEG. CODE A-R. Kupplung 90 Grad. Kodierung A-R

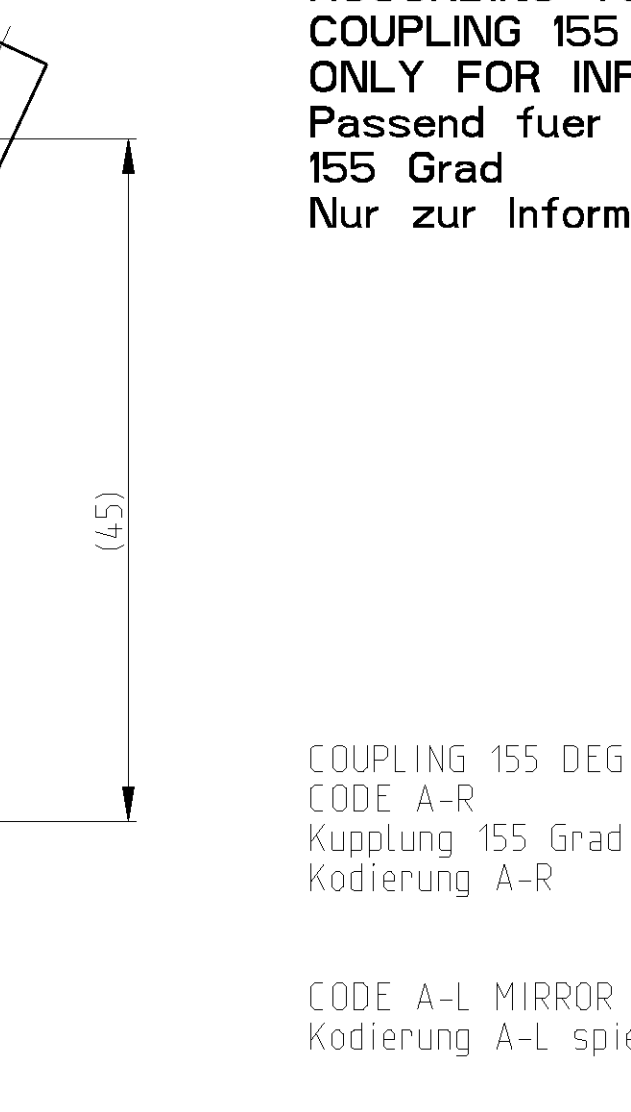


COUPLING 155 DEG. CODE A-R. Kupplung 155 Grad. Kodierung A-R

ACCORDING TO COUPLING 120 DEGR. ONLY FOR INFORMATION. Passend fuer Kupplung 120 Grad. Nur zur Information

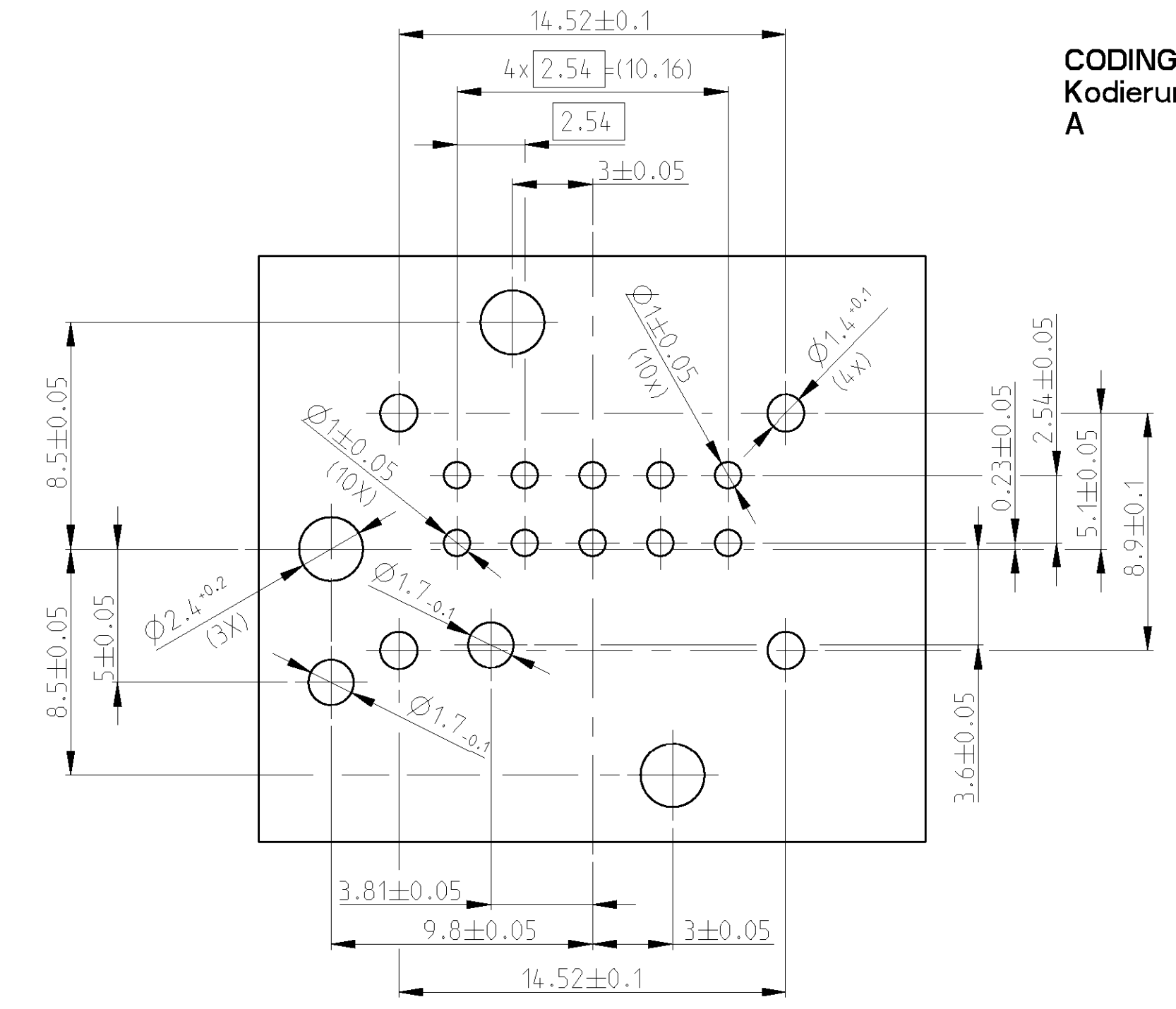


COUPLING 120 DEG. CODE A-R. Kupplung 120 Grad. Kodierung A-R

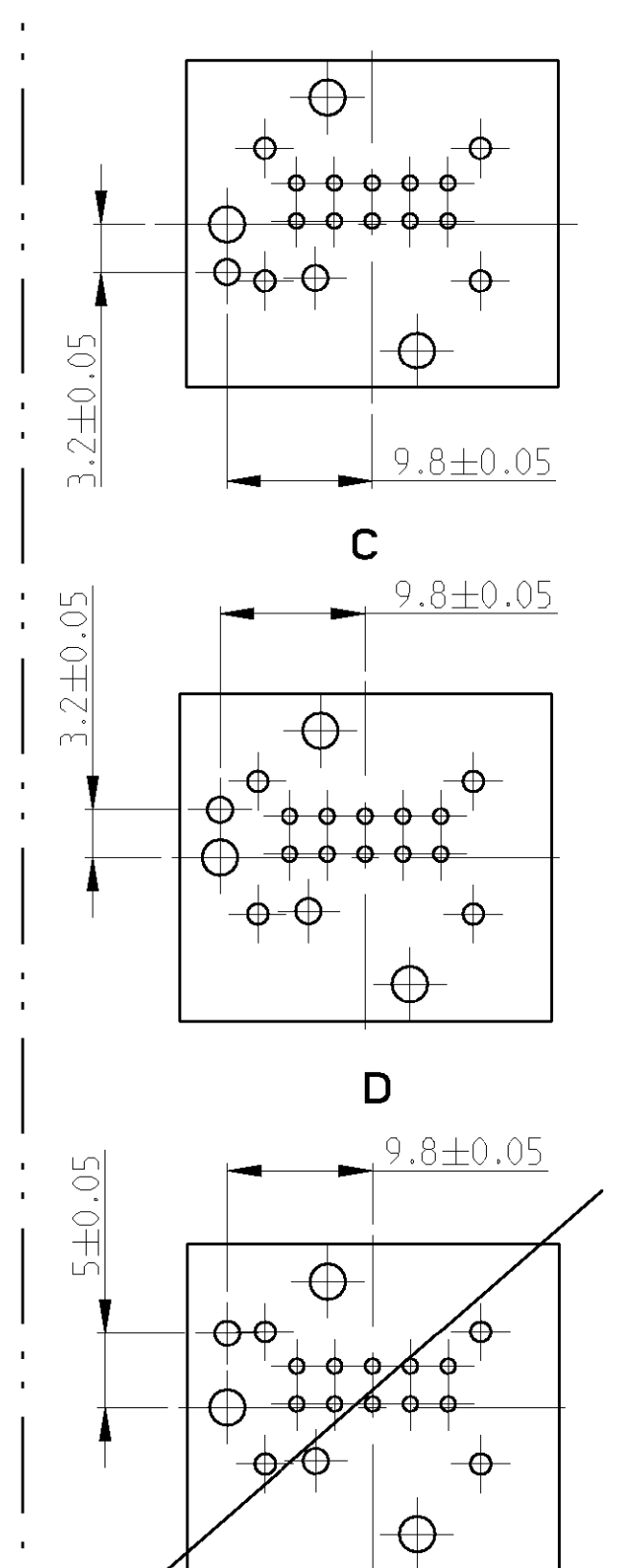


COUPLING 155 DEG. CODE A-R. Kupplung 155 Grad. Kodierung A-R

PCB-LAYOUT VIEW FROM SURFACE MOUNT. CODE A LAYOUT ONLY FOR INFORMATION. MANUFACTURER OF PCB IS RESPONSIBLE FOR DESIGN OF Ø AND MEASUREMENT TOLERANCES. Leiterplattenlayout Ansicht von Bestueckungsseite, Kodierung A. Layout nur zur Information. Fuer die Auslegung der Ø und der Masstoleranzen ist der Platinenhersteller verantwortlich.



**CODINGS
Kodierungen**
2:1



NOTE	FEATURE	tyco Electronics AMP - No.
1	MATED WITH CONNECTOR 90° passend zu Kupplung 90°	EGAUTO2116-950 neutral
2	MATED WITH CONNECTOR 120° passend zu Kupplung 120°	EGAUTO2116-910 neutral
3	MATED WITH CONNECTOR 155° passend zu Kupplung 155°	EGATN04246-910 neutral

VERSION 1 WITH ENV. SHEET METAL	VERSION 2 WITH ENV. SHEET METAL	VERSION 1 WITHOUT ENV. SHEET METAL
1 TB PIN HEADER SHIELDED (100pos., 180°)	1 TB PIN HEADER SHIELDED (100pos., 180°)	1 TB PIN HEADER SHIELDED (100pos., 180°)
2 TB PIN HEADER SHIELDED (100pos., 180°)	2 TB PIN HEADER SHIELDED (100pos., 180°)	2 TB PIN HEADER SHIELDED (100pos., 180°)
3 TB PIN HEADER SHIELDED (100pos., 180°)	3 TB PIN HEADER SHIELDED (100pos., 180°)	3 TB PIN HEADER SHIELDED (100pos., 180°)
4 TB PIN HEADER SHIELDED (100pos., 180°)	4 TB PIN HEADER SHIELDED (100pos., 180°)	4 TB PIN HEADER SHIELDED (100pos., 180°)
5 TB PIN HEADER SHIELDED (100pos., 180°)	5 TB PIN HEADER SHIELDED (100pos., 180°)	5 TB PIN HEADER SHIELDED (100pos., 180°)
6 TB PIN HEADER SHIELDED (100pos., 180°)	6 TB PIN HEADER SHIELDED (100pos., 180°)	6 TB PIN HEADER SHIELDED (100pos., 180°)
7 TB PIN HEADER SHIELDED (100pos., 180°)	7 TB PIN HEADER SHIELDED (100pos., 180°)	7 TB PIN HEADER SHIELDED (100pos., 180°)
8 TB PIN HEADER SHIELDED (100pos., 180°)	8 TB PIN HEADER SHIELDED (100pos., 180°)	8 TB PIN HEADER SHIELDED (100pos., 180°)
9 TB PIN HEADER SHIELDED (100pos., 180°)	9 TB PIN HEADER SHIELDED (100pos., 180°)	9 TB PIN HEADER SHIELDED (100pos., 180°)
10 TB PIN HEADER SHIELDED (100pos., 180°)	10 TB PIN HEADER SHIELDED (100pos., 180°)	10 TB PIN HEADER SHIELDED (100pos., 180°)
11 TB PIN HEADER SHIELDED (100pos., 180°)	11 TB PIN HEADER SHIELDED (100pos., 180°)	11 TB PIN HEADER SHIELDED (100pos., 180°)
12 TB PIN HEADER SHIELDED (100pos., 180°)	12 TB PIN HEADER SHIELDED (100pos., 180°)	12 TB PIN HEADER SHIELDED (100pos., 180°)

tyco Electronics AMP GmbH
D - 64625 Bensheim
PIN HEADER, 10POS., SHIELDED, MOS
Stiftwanne, 10polig, geschirmt, MOS
180 DEGREE / 180 Grad - Version

00779 ©=1418653