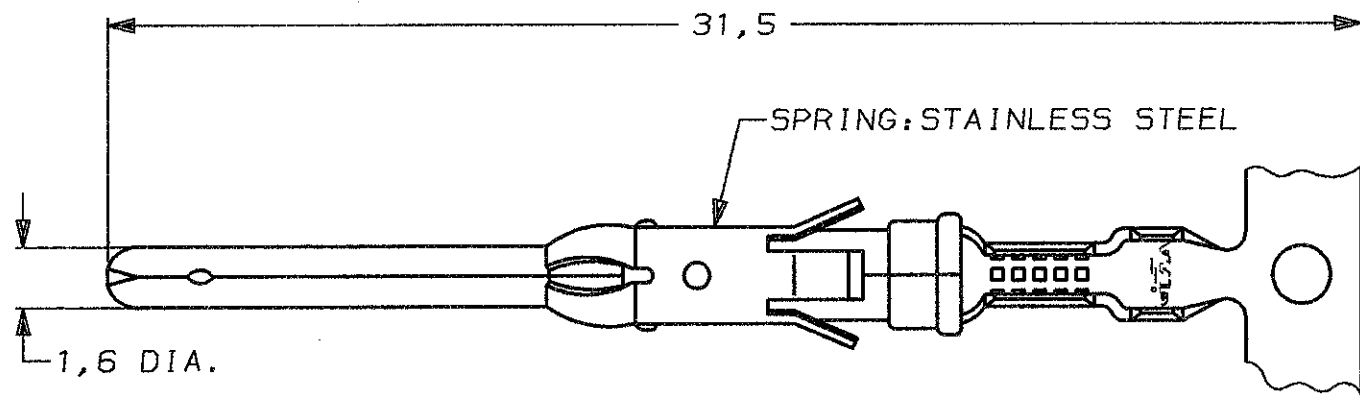


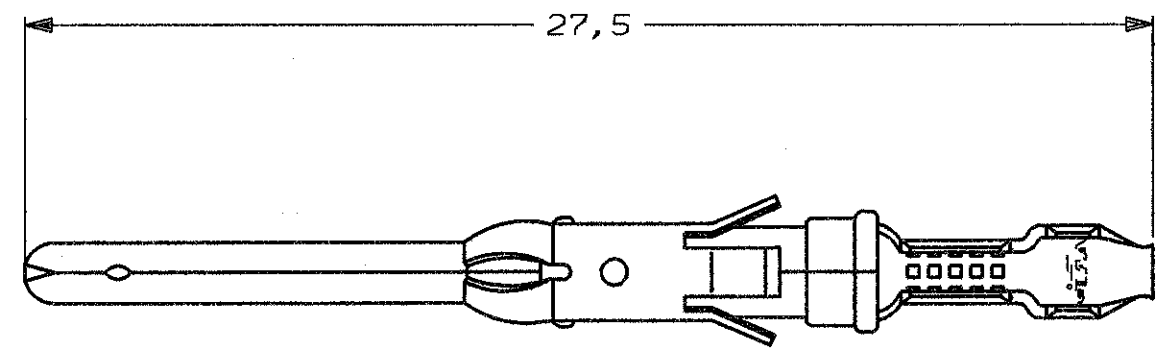
DO NOT SCALE
DIMENSIONS IN mm

METRIC

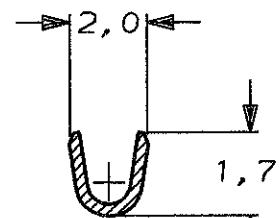
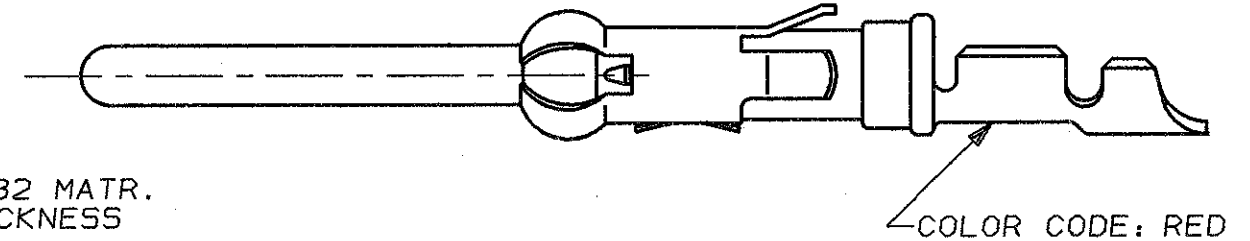
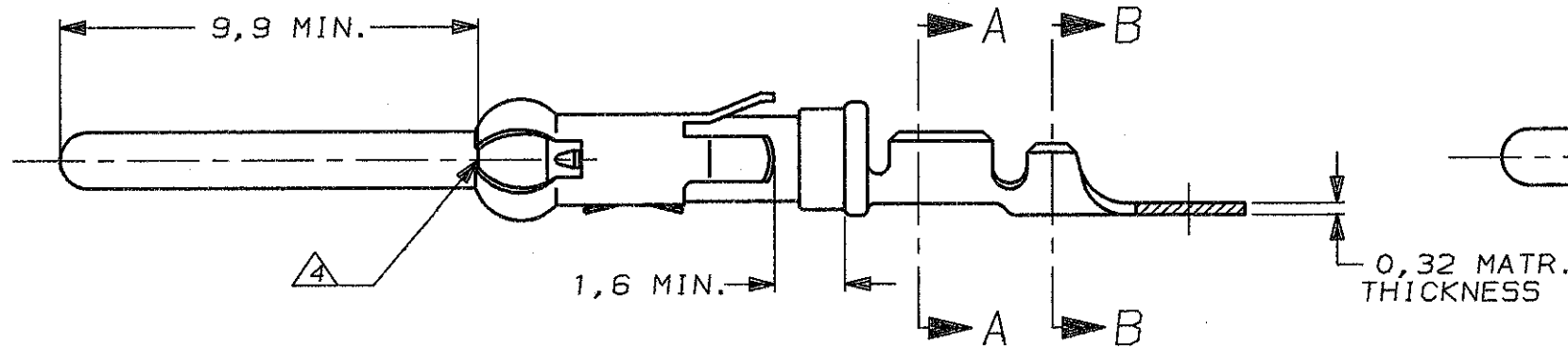
THIRD ANGLE
PROJECTION



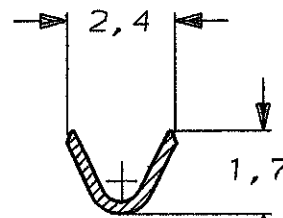
STRIP



LOOSE-PIECE



SECTION A-A



SECTION B-B

WIRE RANGE : 0,12-0,20 mm² (26-24 AWG)
INSUL. RANGE : 0,9 -1,4 mm (.035-.055)

NOTES :

- ① U.L.RECONIZED UNDER FILE E28476 VOL.VI SEC.I
- ② FOR CRIMPDETAILS SEE AMP-SPEC. 114-19.000
- ③ MEETS PRODUCTSPECIFICATION 108-10042.
- ④ 0,40 MAX. GAP BETWEEN SPRING-NOSE AND CONTACT BODY.
- ⑤ **OBSOLETE PARTS: OBSOLETE CIS STREAMLINING PER D.RENAUD/D.SINISI**

NOTES	MATERIAL	THICKNESS	AREA
②①	TIN	2,0 μm	ALL OVER
②①	NICKEL GOLD TIN/LEAD	0,8 μm	ALL OVER CONTACT AREA BARREL
②②	NICKEL GOLD GOLD	0,8 μm	ALL OVER CONTACT AREA ALL OVER
②③	NICKEL GOLD GOLD	1,2 μm	ALL OVER CONTACT AREA ALL OVER
②④	NICKEL SILVER TIN/LEAD	2,5 μm	ALL OVER CONTACT AREA BARREL
②⑤	SILVER	0,5 μm	ALL OVER
②⑥	SILVER	2,5 μm	ALL OVER
③①	NICKEL TIN/LEAD	1,27 μm	ALL OVER
③②	TIN/LEAD	1,27 μm	ALL OVER
③③	LUBRICATED		

DIRECTION OFF TOP OF REEL	AMPOMATOR + MINI-APPL. 107-3-FIG.1	107-3-FIG.2	TERMINAL "U" UP.	PARTNUMBER	DIRECTION OF REEL	LOOSE-PIECE	MATERIAL	PLATING
	→	←	↑	1-163089-3	A	1-163090-1	BRASS	EL.TIN ③① ②①
	→	←	↑	1-163089-2	A	1-163090-2	BRASS	BR. TIN/LEAD ③①
	→	←	↑	1-163089-1	A		BRASS	ECON.GOLD ②①
	→	←	↑	1-163089-0	B	1-163090-0	BRASS	ECON.GOLD ②①
	→	←	↑	163089-9	A		BRASS	EL.TIN ②①
	→	←	↑	163089-8	A		BRASS	SEL.GOLD ②②
	→	←	↑	⑤ 163089-2	B	163090-2	BRASS	SEL.GOLD ②②
	→	←	↑	163089-1	B	163090-1	BRASS	EL.TIN ②①

Y2	REVISION RECORD	RK	HMR	28MAR11
LTR.	REVISION RECORD	DR.	CHK.	DATE
DR. : L.V.D.HEIJDEN.	CHK. : P.V.D.HAGEN.	APP. : L.V.SOEST.	DWG.No.	REV.LTR.
DATE: 19-08-87	DATE: 20-08-87	DATE: 20-08-87	C-163089	Y2

CUSTOMER DRAWING		FOR REFERENCE ONLY WILL NOT BE UPDATED	
THIS DRAWING IS UNPUBLISHED- RELEASED FOR PUBLICATION AUG,19 87			
STE TE Connectivity			
NAME PIN TYPE III CONTACT SIZE 16			
DR. : L.V.D.HEIJDEN.	CHK. : P.V.D.HAGEN.	APP. : L.V.SOEST.	DWG.No.
DATE: 19-08-87	DATE: 20-08-87	DATE: 20-08-87	C-163089
REV.LTR.	SHEET	A3	
Y2	1 OF 1		