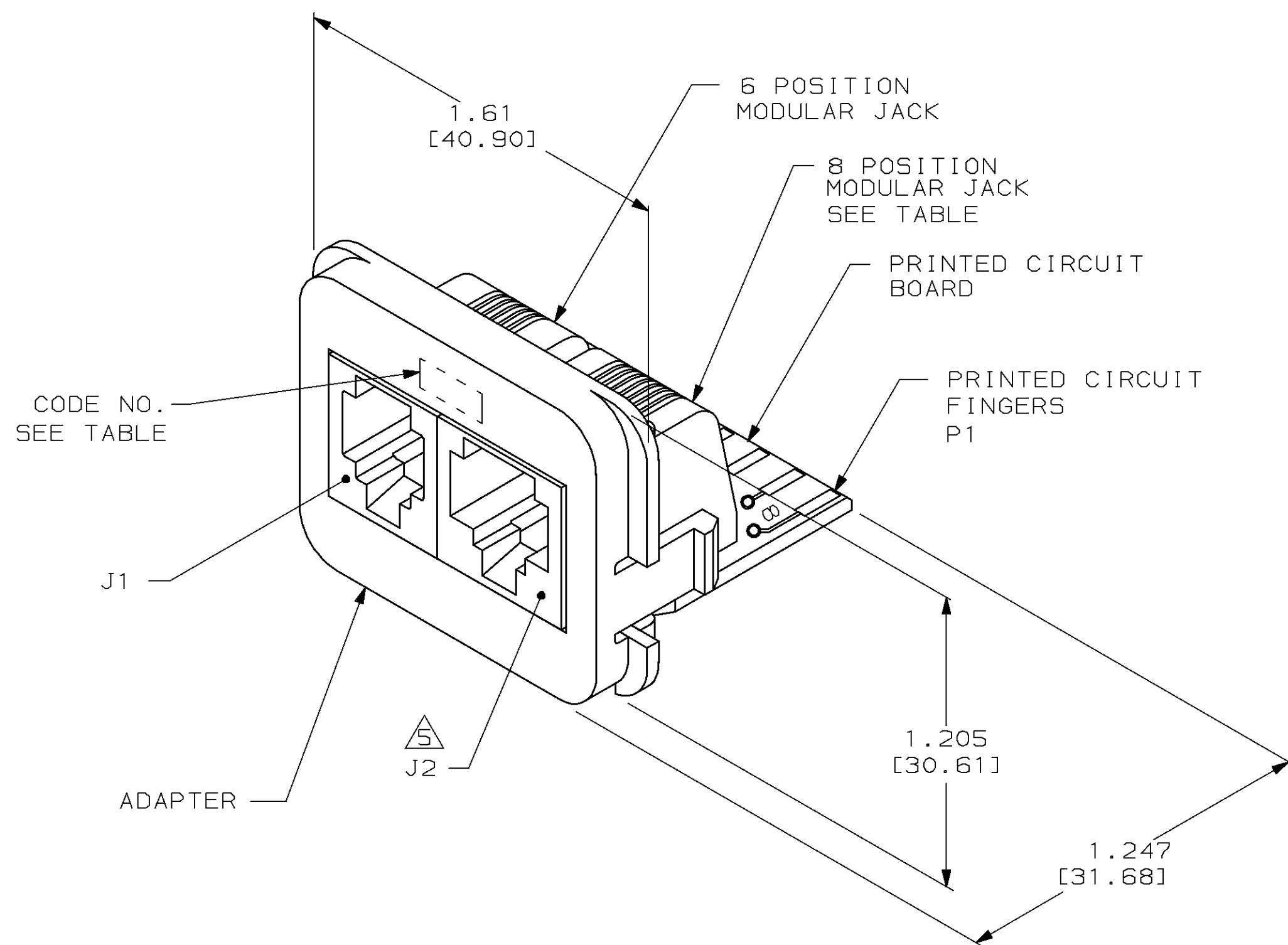


LOC	DIST	P	F	REVISIONS			
ZONE	LTR	DESCRIPTION	DATE	APPD			
AA	28			E	OBS -3,-4; EC 0502-0806-97	29MAY98	CW GB



- ① DIMENSIONS ARE MAXIMUM.
- ② MATERIAL: PRINTED CIRCUIT BOARD - LAMINATED PLASTIC SHEET, .062 [1.57] THICK. ADAPTER - ABS MOLDING COMPOUND, SEE TABLE. PRINTED CIRCUIT FINGERS - .000020 [0.51µm] MINIMUM GOLD PLATE OVER .000050 [1.27µm] MINIMUM NICKEL PLATE.
- 3. THIS INSERT IS DESIGNED TO MATE WITH AMP INC. EDGE CONNECTOR KIT, AND WALLBOX KITS.
- 4. DIMENSIONS IN BRACKETS [] ARE IN MILLIMETERS.
- ⑤ THIS INTERCONNECT MEETS THE REQUIREMENTS OF IEC 603-7.

CODE NO. SEE TABLE

J1

ADAPTER

⑤ J2

PRINTED CIRCUIT FINGERS P1

6 POSITION MODULAR JACK

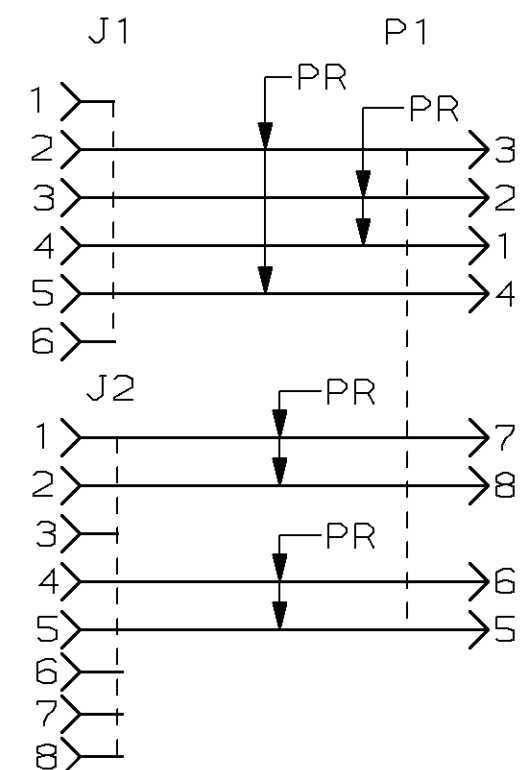
8 POSITION MODULAR JACK SEE TABLE

PRINTED CIRCUIT BOARD

1.61 [40.90]

1.205 [30.61]

1.247 [31.68]



ELECTRICAL SCHEMATIC

BLACK	24-5	WHITE	KEYED	555624-5
BLACK	24-4	NEMA GRAY	KEYED	555624-4
WHITE	24-3	BLACK	KEYED	555624-3
BLACK	24-2	LIGHT ALMOND	KEYED	555624-2
BLACK	24-1	LIGHT ALMOND	STANDARD	555624-1

MARKINGS COLOR	CODE NO.	ADAPTER COLOR	MODULAR JACK	PART NO
DO NOT SCALE PRINT. UNLESS SPECIFIED DIMENSIONS IN INCHES TOLERANCES ON :	DR	10-04-88	AMP INCORPORATED Harrisburg, Pa. 17105	
2 PLC DEC ±	CHK	10-25-88		
3 PLC DEC ±	B. FOX	10-26-88		
ANGLES ±	APPD	10-26-88		
MATERIAL	APPD	10-26-88	NAME INSERT ASSEMBLY, MODULAR JACK, DUAL 6 POSITION, AMP COMMUNICATION OUTLET	
	J.B. WILKERSON	PRODUCT SPEC		
FINISH	APPLICATION SPEC	SIZE	FSCM NO	DRAWING NO
		C	00779	555624
	WEIGHT	SCALE	2:1	SHEET 1 OF 1

CAD DRAWINGS
 THIS DRAWING WAS CREATED ON A COMPUTER AIDED DESIGN (CAD) SYSTEM. TO INSURE THE INTEGRITY OF THE DATA BASE ALL CHANGES/ REVISIONS MUST BE MADE ON THE CAD SYSTEM.