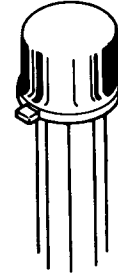


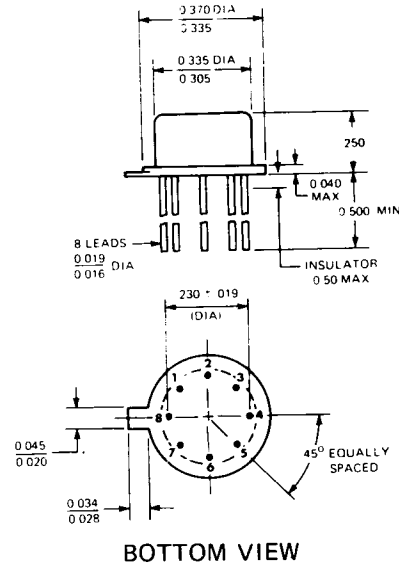
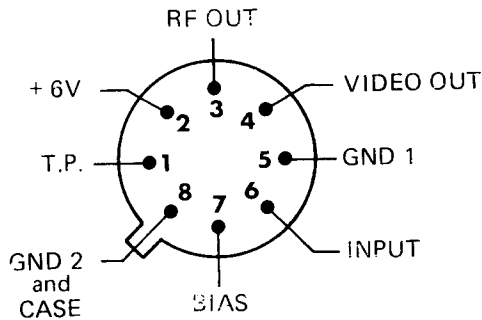
GENERAL DESCRIPTION

The CTS 861GB is a cermet hybrid integrated circuit. This wideband amplifier is intended primarily for use as one stage of a log IF amplifier, with midband frequency of 10 MHz to 100 MHz. It has a voltage gain of typically 12 db, which is flat to within .6 db typically from 30 to 100 MHz. These units have RF output which is limited to .5V typical and can be directly coupled to the following stage. The detector has current output which makes possible the direct summing of several output stages.



RECOMMENDED OPERATING CONDITIONS:

Supply Voltages V_{CC}	+5 to +10 volts DC (Note 1)
Operating temperature range	-55 to +125°C
Storage temperature	-55 to +150°C
Number of cascaded stages	6 or less, if no filter is used
Capacitive loading of output	8 pf



SCHEMATIC

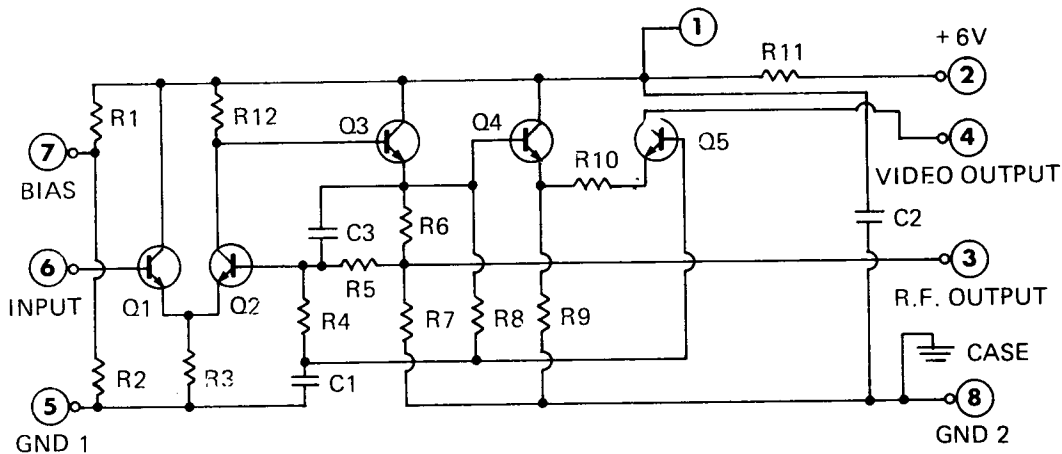


IMAGE UNAVAILABLE