



Raychem

TE Internal #: 461081-000

Hook Up Wire, Spec 55PC, 600V Voltage Rating, Pink Wire Color, 18AWG Wire Size, Operating Temperature Range -65 – 150 °C

[View on TE.com >](#)

Wire & Cable > Hook Up Wire



Cable Type: **Spec 55PC**

Voltage Rating: **600 V**

Wire Color: **Pink**

Insulation Material: **Radiation Crosslinked Modified ETFE**

Conductor Material: **Nickel-Coated High Strength Copper Alloy**

Features

Product Type Features

Cable Type	Spec 55PC
------------	-----------

Electrical Characteristics

Voltage Rating	600 V
----------------	-------

Body Features

Wire Color	Pink
Insulation Material	Radiation Crosslinked Modified ETFE
Conductor Material	Nickel-Coated High Strength Copper Alloy

Dimensions

Wire Size	18 AWG
-----------	--------

Usage Conditions

Operating Temperature Range	-65 – 150 °C
-----------------------------	--------------

Product Compliance

[For compliance documentation, visit the product page on TE.com>](#)

EU RoHS Directive 2011/65/EU	Not Compliant
EU ELV Directive 2000/53/EC	Not Compliant
China RoHS 2 Directive MIIT Order No 32, 2016	Restricted Materials Above Threshold

EU REACH Regulation (EC) No. 1907/2006



Current ECHA Candidate List: JUN 2020
(209)

Candidate List Declared Against: JAN 2019
(197)

SVHC > Threshold:

Cd (.6% in Conductor)

Article Safe Usage Statements:

Use personal protective equipment as required. Do not eat, drink or smoke when using this product. Recycle if possible and dispose of the article by following all applicable governmental regulations relevant to your geographic location.

Halogen Content

Low Bromine/Chlorine - Br and Cl < 900 ppm per homogenous material. Also BFR /CFR/PVC Free

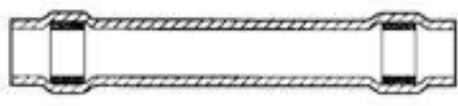
Solder Process Capability

Not applicable for solder process capability

Product Compliance Disclaimer

This information is provided based on reasonable inquiry of our suppliers and represents our current actual knowledge based on the information they provided. This information is subject to change. The part numbers that TE has identified as EU RoHS compliant have a maximum concentration of 0.1% by weight in homogenous materials for lead, hexavalent chromium, mercury, PBB, PBDE, DBP, BBP, DEHP, DIBP, and 0.01% for cadmium, or qualify for an exemption to these limits as defined in the Annexes of Directive 2011/65/EU (RoHS2). Finished electrical and electronic equipment products will be CE marked as required by Directive 2011/65/EU. Components may not be CE marked. Additionally, the part numbers that TE has identified as EU ELV compliant have a maximum concentration of 0.1% by weight in homogenous materials for lead, hexavalent chromium, and mercury, and 0.01% for cadmium, or qualify for an exemption to these limits as defined in the Annexes of Directive 2000/53/EC (ELV). Regarding the REACH Regulation, the information TE provides on SVHC in articles for this part number is based on the latest European Chemicals Agency (ECHA) 'Guidance on requirements for substances in articles' posted at this URL: <https://echa.europa.eu/guidance-documents/guidance-on-reach>

Compatible Parts




TE Model / Part # A36675-000
D-200-83

Customers Also Bought



TE Model / Part #133761-000
55PC1241-20-CML4-9CS2502



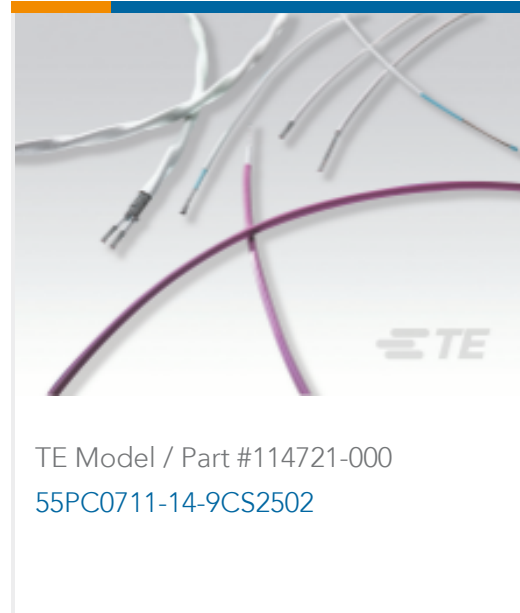
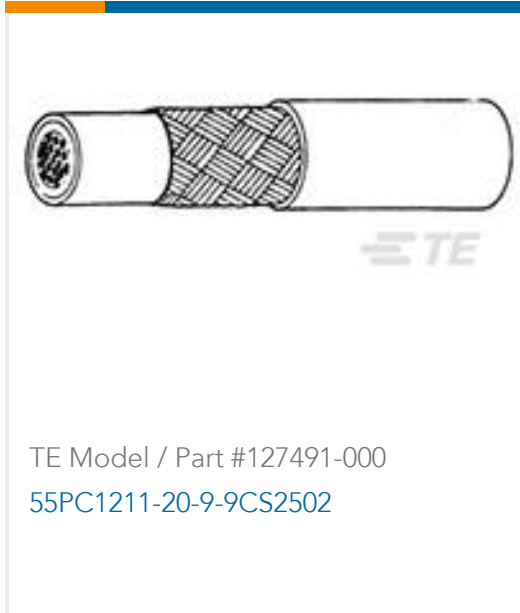
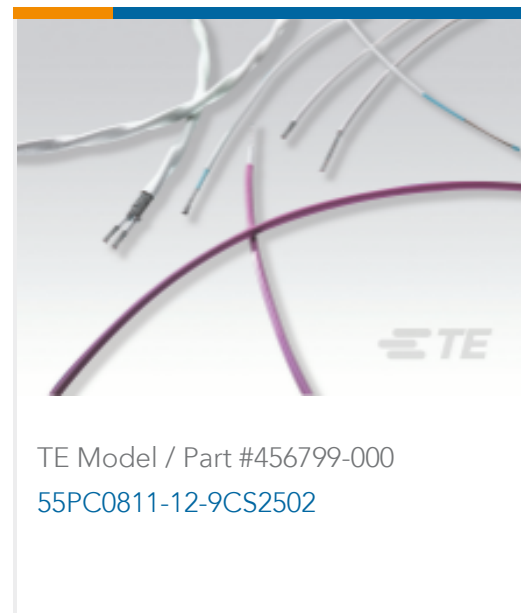
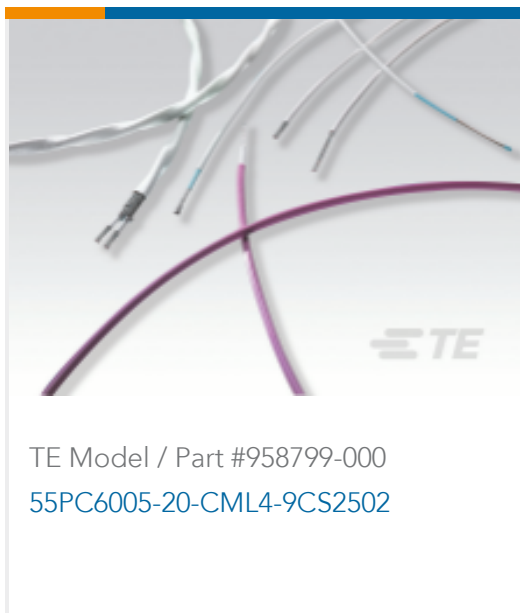
TE Model / Part #610217-000
55PC6003-20-2/6-9CS2502



TE Model / Part #420695-000
55PC1211-18-9-9CS2502



TE Model / Part #076147-000
CTC-0062-18-9/5-9



Documents

Product Drawings

[55PC6003-18-2/6-9CS2502](#)

English

Datasheets & Catalog Pages

[1654025_Sec9_SPEC55](#)

English

[Raychem Wire and Cable Quick Reference Guide](#)

English

Product Specifications

[Product Specification](#)

English