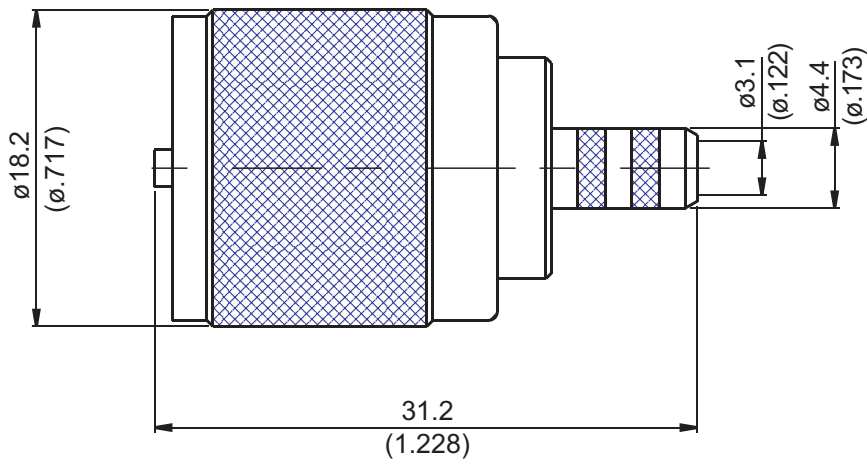


UHF3100-0142

UHF Plug Crimp For RG142, RG400
300MHz VSWR 1.2



Parts	Material	Plating(Micro-inch)
Ferrule	Copper	Tin-Zinc-Copper-Alloy 100 Over Copper 50
Center Pin	Brass	Gold 4 Over Nickel-Phosphorus Alloy 80 Over Copper 20
Insulator	Teflon	
Body	Brass	Tin-Zinc-Copper-Alloy 100 Over Copper50
Coupling Nut	Brass	Tin-Zinc-Copper-Alloy 100 Over Copper 50

Weight: 20.20 g
Suitable Cables: RG142, RG400

This part number complies with RoHS.

Notice: JYEBAO reserves the right to make modifications deemed appropriate.

UHF	UHF3100-0142																		
<div data-bbox="118 331 517 376" style="border: 1px solid black; padding: 2px;">Interface</div> <p data-bbox="118 385 319 421">IEC 60169-12</p>																			
<div data-bbox="118 495 517 539" style="border: 1px solid black; padding: 2px;">Electrical Data</div> <table data-bbox="118 548 1382 963"> <tr> <td>Impedance</td> <td>Non constant</td> </tr> <tr> <td>Frequency range</td> <td>300MHz</td> </tr> <tr> <td>VSWR</td> <td>≤ 1.2 (DC to 300MHz)</td> </tr> <tr> <td>Insulation resistance</td> <td>≥ 5000MΩ</td> </tr> <tr> <td>Contact resistance inner conductor</td> <td>≤ 5mΩ</td> </tr> <tr> <td>Contact resistance outer conductor</td> <td>≤ 3mΩ</td> </tr> <tr> <td>Dielectric withstanding voltage (at sea level)</td> <td>2000 V rms</td> </tr> <tr> <td>Working Voltage (at sea level)</td> <td>750 V rms</td> </tr> <tr> <td>Power Handling</td> <td>400W (300MHz)</td> </tr> </table>		Impedance	Non constant	Frequency range	300MHz	VSWR	≤ 1.2 (DC to 300MHz)	Insulation resistance	≥ 5000MΩ	Contact resistance inner conductor	≤ 5mΩ	Contact resistance outer conductor	≤ 3mΩ	Dielectric withstanding voltage (at sea level)	2000 V rms	Working Voltage (at sea level)	750 V rms	Power Handling	400W (300MHz)
Impedance	Non constant																		
Frequency range	300MHz																		
VSWR	≤ 1.2 (DC to 300MHz)																		
Insulation resistance	≥ 5000MΩ																		
Contact resistance inner conductor	≤ 5mΩ																		
Contact resistance outer conductor	≤ 3mΩ																		
Dielectric withstanding voltage (at sea level)	2000 V rms																		
Working Voltage (at sea level)	750 V rms																		
Power Handling	400W (300MHz)																		
<div data-bbox="118 1086 517 1131" style="border: 1px solid black; padding: 2px;">Environmental Data</div> <table data-bbox="118 1140 1382 1361"> <tr> <td>Temperature range</td> <td>-65°C to +165°C</td> </tr> <tr> <td>Thermal shock</td> <td>MIL-STD-202, Method 107, Condition B</td> </tr> <tr> <td>Moisture resistance</td> <td>MIL-STD-202, Method 106</td> </tr> <tr> <td>Corrosion</td> <td>MIL-STD-202, Method 101, Condition B</td> </tr> <tr> <td>RoHS</td> <td></td> </tr> </table>		Temperature range	-65°C to +165°C	Thermal shock	MIL-STD-202, Method 107, Condition B	Moisture resistance	MIL-STD-202, Method 106	Corrosion	MIL-STD-202, Method 101, Condition B	RoHS									
Temperature range	-65°C to +165°C																		
Thermal shock	MIL-STD-202, Method 107, Condition B																		
Moisture resistance	MIL-STD-202, Method 106																		
Corrosion	MIL-STD-202, Method 101, Condition B																		
RoHS																			
<div data-bbox="118 1440 517 1485" style="border: 1px solid black; padding: 2px;">Tooling</div> <table data-bbox="118 1494 1382 1579"> <tr> <td>Crimping tool</td> <td>CRT-1 or CRT-2</td> </tr> <tr> <td>Crimp insert</td> <td>INSERT-B</td> </tr> </table>		Crimping tool	CRT-1 or CRT-2	Crimp insert	INSERT-B														
Crimping tool	CRT-1 or CRT-2																		
Crimp insert	INSERT-B																		

Notice: JYEBAO reserves the right to make modifications deemed appropriate.

JYE BAO CO., LTD.

CABLE ASSEMBLY INSTRUCTION

UHF3100-0142	DATE	2019/09/25	REV	—
--------------	------	------------	-----	---

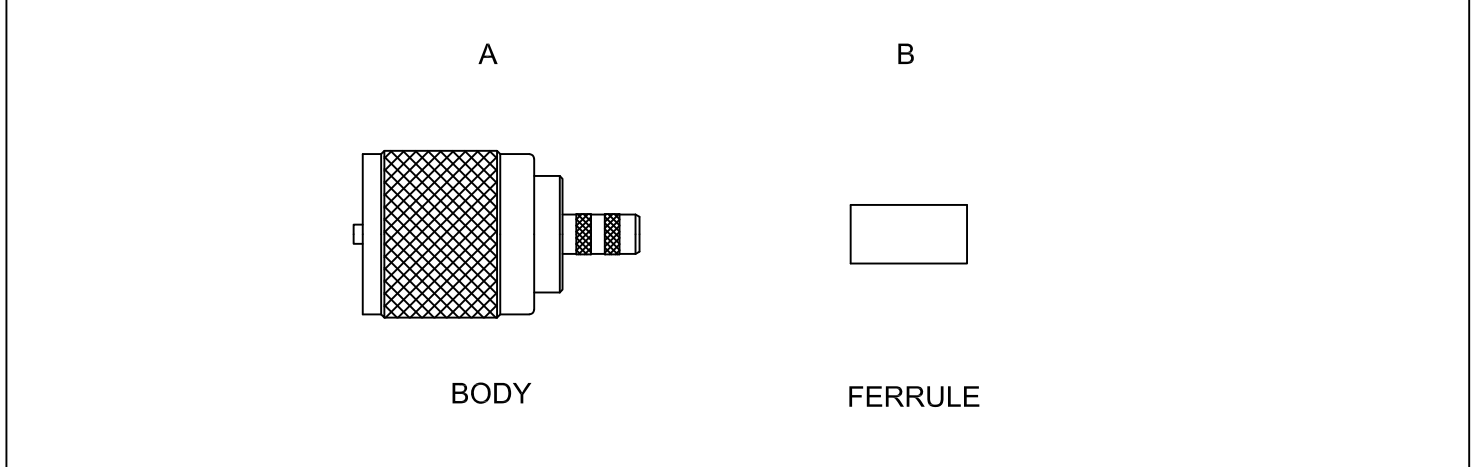
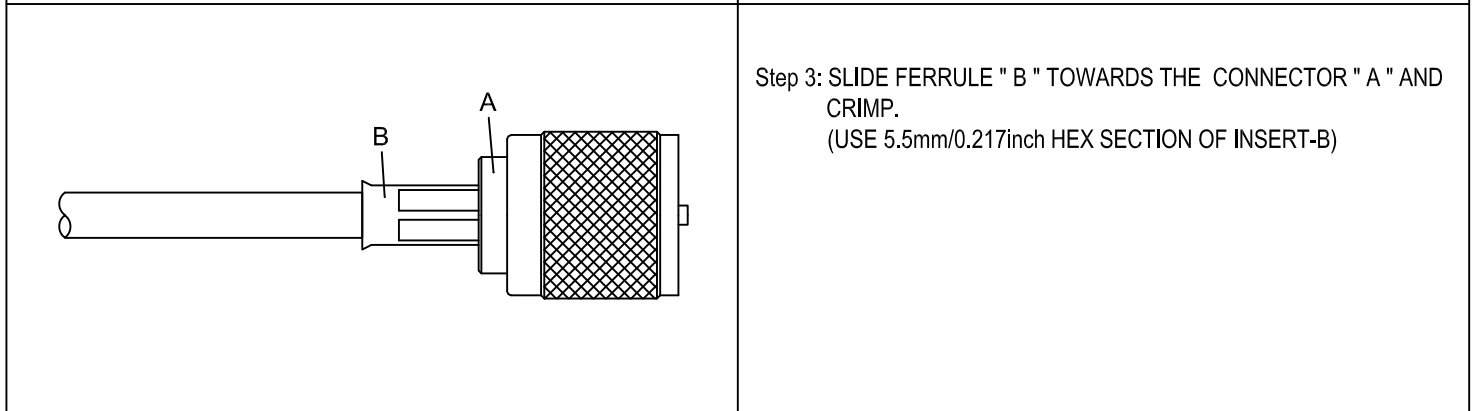
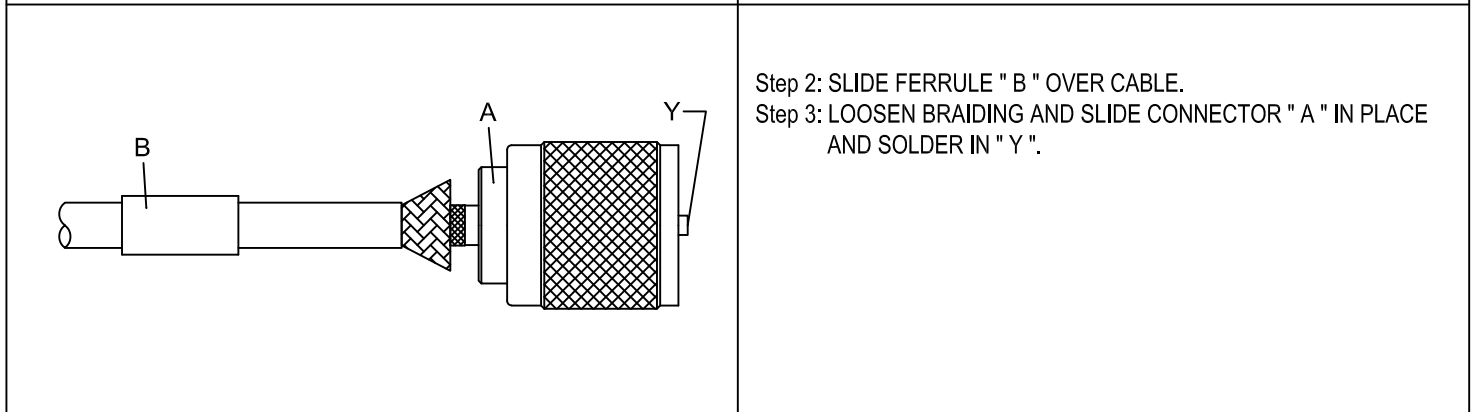
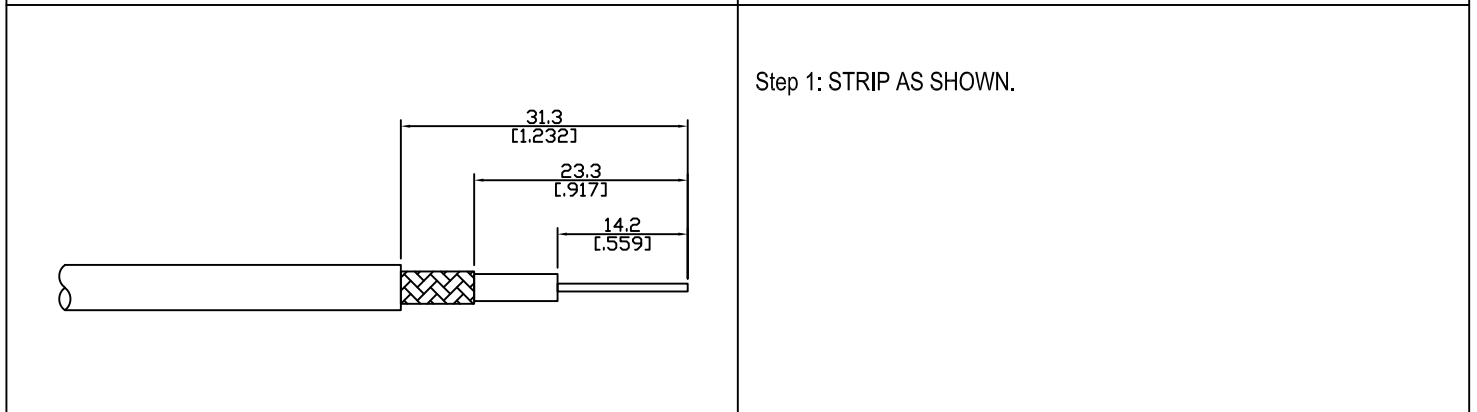


DIAGRAM	ASSEMBLY INSTRUCTION
---------	----------------------



This part number complies with RoHS.

Notice: JYEBAO reserves the right to make modifications deemed appropriate.

APPROVED	CHECKED	DRAWING
		<i>Albert</i>