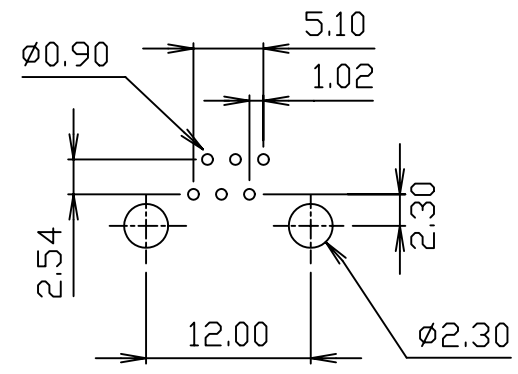
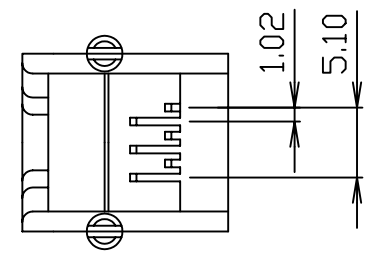
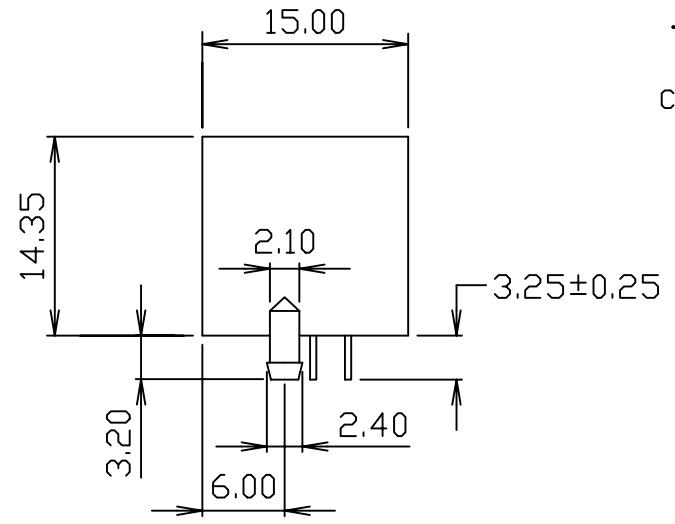
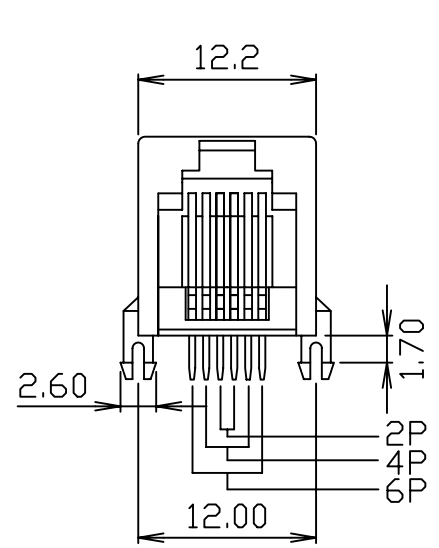


MATERIALS:

- HOUSING-PBT POLYESTER UL94V-0  
MIXED GLASS FIBER.  
STANDARD COLOR-BLACK
  - CONTACTS-0.45mm DIA. ROUND PHOS-BRONZE  
PLATED WITH HARD GOLD.
- CAVITY CONFIRMS TO FCC RULES AND REGULATIONS



PC Board Layout

**MORETHANALL**  
CONNECTORS  
ASSEMBLIES

煜倫有限公司

PART NO. MJ14L-KX06-0606		APPROVED BY CY		TOLERANCES ARE X ± 0.25 XX ± 0.13 XXX ± 0.05 AWG	DESCRIPTION: 6POSITION LOW PROFILE SIDE ENTRY PCB JACK		
DWG NO. MJ14L-KX06-0606		DRAWING BY					
UNIT / mm		SCALE 1:1	PROJECTION	AREA	REVISIONS	HK	DATE