

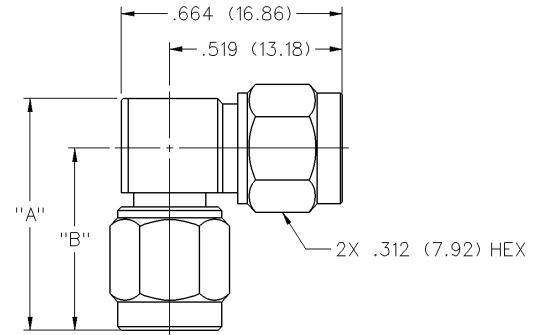
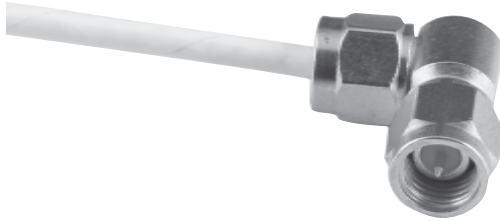
# SMA - 50 Ohm Connectors

For Flexible Cable

INCHES (MILLIMETERS) • CUSTOMER DRAWINGS AVAILABLE ON REQUEST



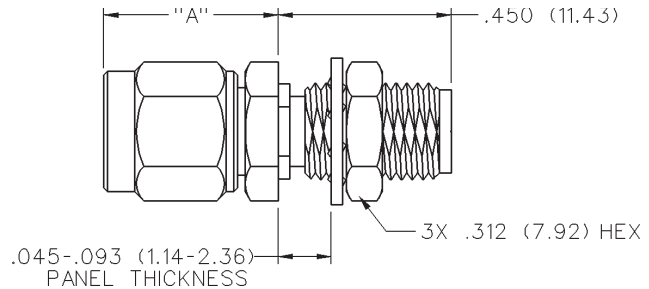
## Right Angle Clamp Type Plug - Captivated Contact



CABLE TYPE	VSWR & FREQ. RANGE	GOLD PLATED	NICKEL PLATED	"A"	"B"
RG-178/U, 196	1.20 + .03f (GHz) 0-12.4 GHz	142-0202-101	142-0202-106	.569 (14.45)	.428 (10.81)
RG-161/U, 174, 188, 316	1.15 + .03f (GHz) 0-12.4 GHz	142-0203-101	142-0203-106	.574 (14.58)	.433 (11.00)
RG-58/U, 141, 303, 55, 142, 223, 400	1.15 + .02f (GHz) 0-12.4 GHz	142-0207-101	142-0207-106	.686 (17.42)	.545 (13.84)

Assembly instructions page 235.

## Straight Clamp Type Bulkhead Jack - Captivated Contact

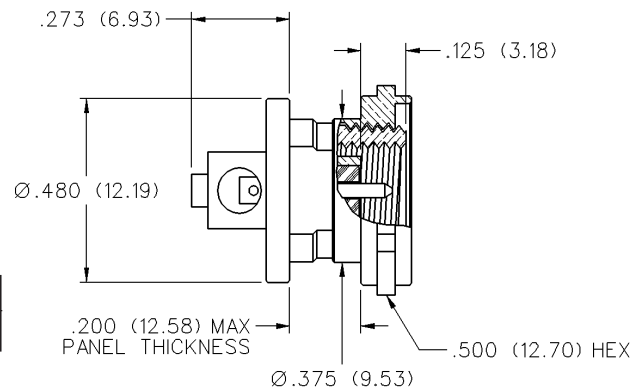


CABLE TYPE	VSWR & FREQ. RANGE	GOLD PLATED	NICKEL PLATED	"A"
RG-178/U, 196	1.20 + .025f (GHz) 0-12.4 GHz	142-0102-401	142-0102-406	.452 (11.48)
RG-161/U, 174, 188, 316	1.15 + .02f (GHz) 0-12.4 GHz	142-0103-401	142-0103-406	.487 (12.37)
RG-58/U, 141, 303, 55, 142, 223, 400	1.15 + .01f (GHz) 0-12.4 GHz	142-0107-401	142-0107-406	.531 (13.49)

Assembly instructions page 234.

Mounting hole layout figure 1 page 201.

## Rear Mount Bulkhead Plug - Antenna Connector



CABLETYPE	VSWR & FREQ. RANGE	GOLD PLATED*
RG-178/U, .047 Semi-Rigid	VSWR: N/A 0-4 GHz	142-0801-421*

\* With Nickel mounting nut. Assembly instructions page 227.

Mounting hole layout figure 8 page 201. Mates with SMA Jack Antenna Interface.