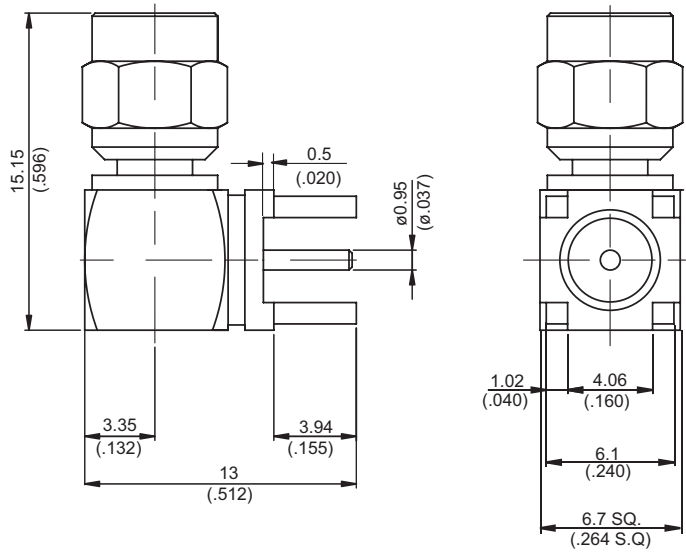
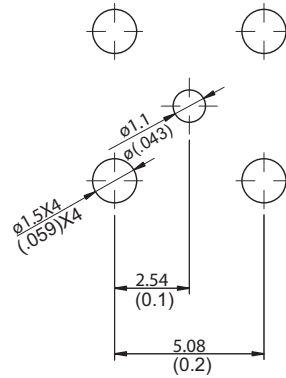


SMC3400-9000

SMC Plug P.C.B. Mount Right Angle 50Ω



MOUNTING HOLE :



| Parts        | Material         | Plating (Micro-inch)                  |
|--------------|------------------|---------------------------------------|
| Cover        | Brass            | Gold 5 Over Nickel 50 Over Copper 50  |
| Part         | Brass            | Gold 5 Over Nickel 50 Over Copper 50  |
| Contact Pin  | Beryllium Copper | Gold 20 Over Nickel 50 Over Copper 50 |
| Insulator    | Teflon           |                                       |
| Body         | Brass            | Gold 5 Over Nickel 50 Over Copper 50  |
| Housing      | Brass            | Gold 5 Over Nickel 50 Over Copper 50  |
| Coupling Nut | Brass            | Gold 5 Over Nickel 50 Over Copper 50  |

Weight: 3.7 g

This part number complies with RoHS.

Notice: JYEBAO reserves the right to make modifications deemed appropriate.