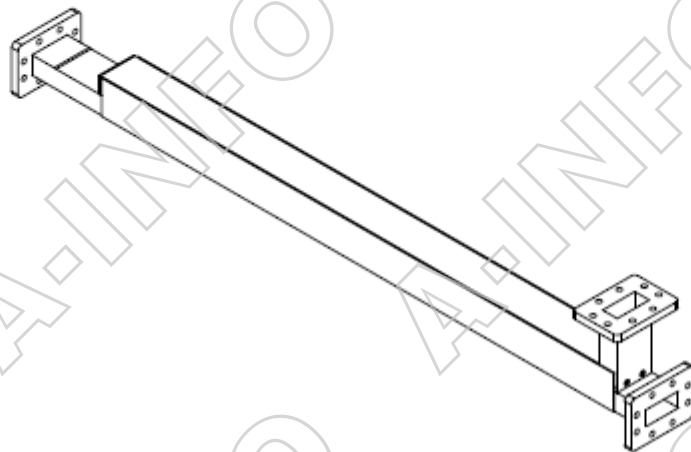
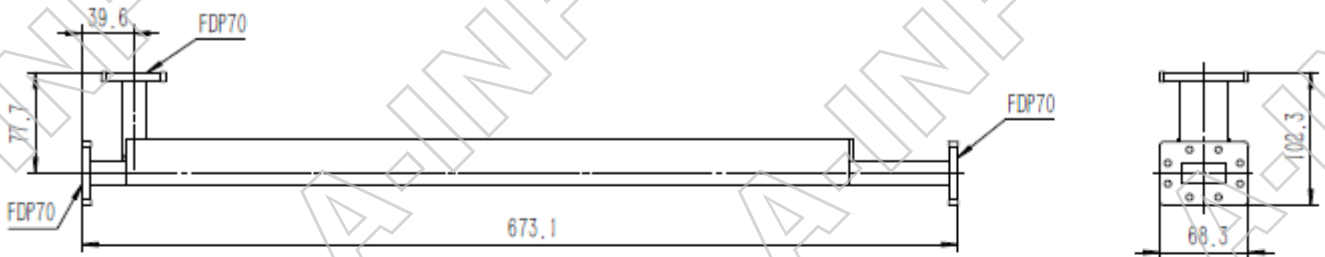


## Technical Specification

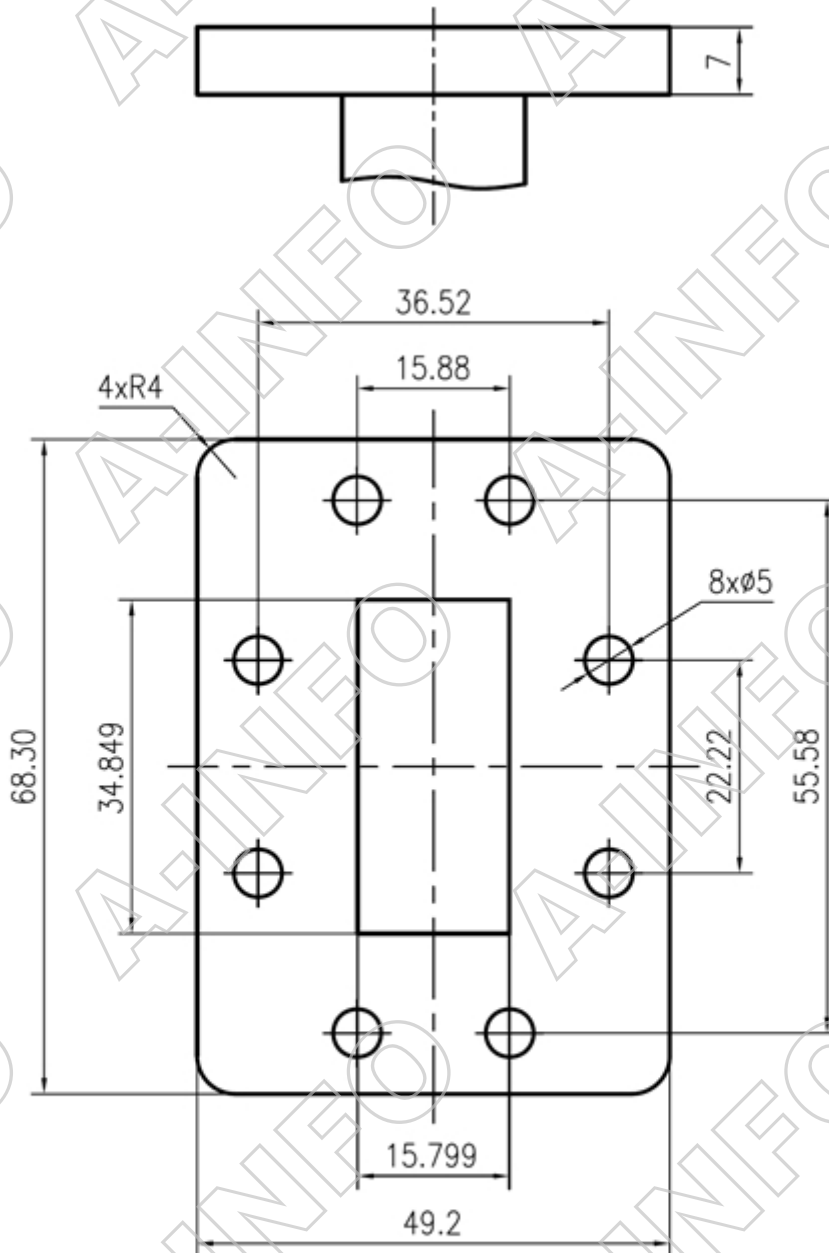


EIA WG	WR137
Frequency Range(GHz)	5.85-8.20
Coupling(dB)	30
Coupling Accuracy(dB)	±0.9
Frequency Sensitivity(dB)	±0.7
Directivity(dB)	30 Min.
Mainline VSWR	1.05 Max.
Secondline VSWR	1.10 Max.
Flange	FDP70
Material	Al
Net Weight(Kg)	0.72 Around

## Outline Drawing (Size: mm)



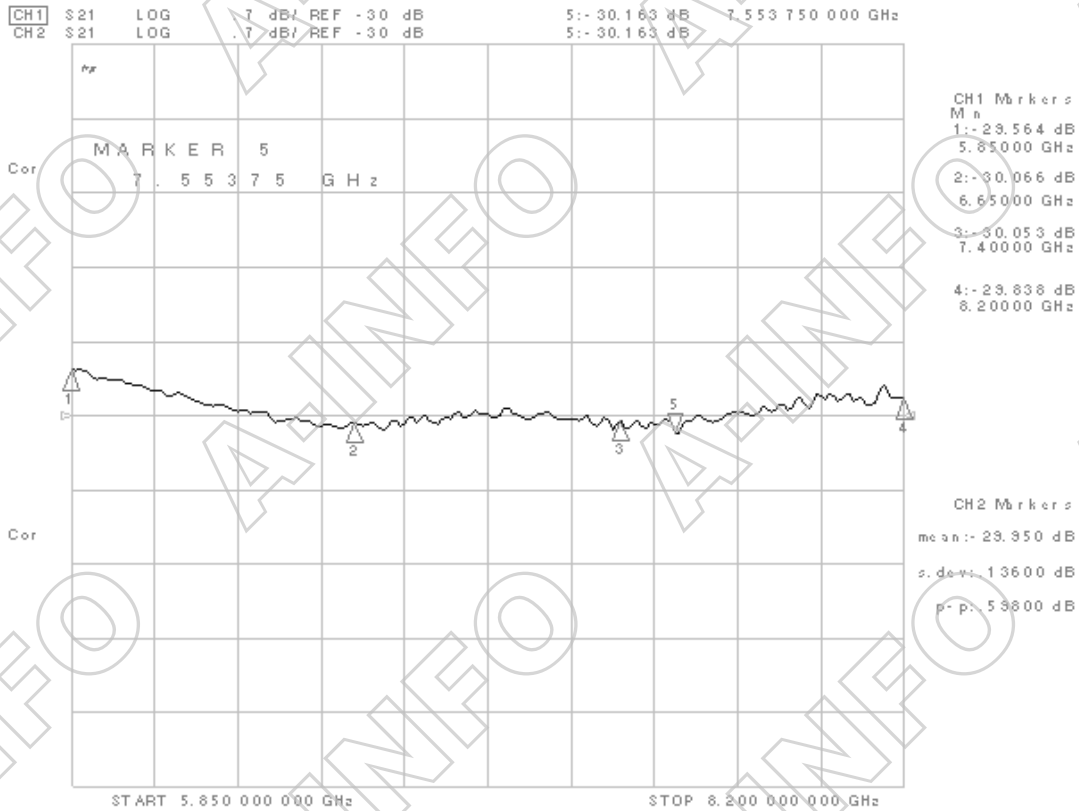
## Flange Drawing (Size: mm)



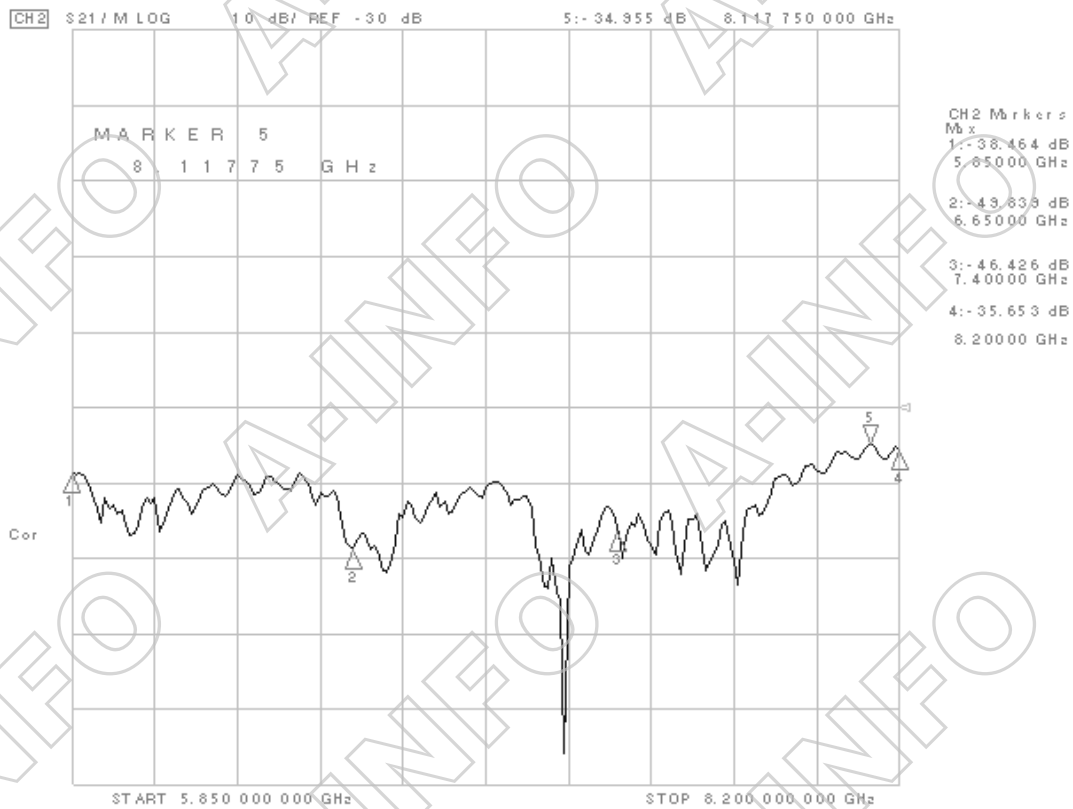
FDP70

### Test Results

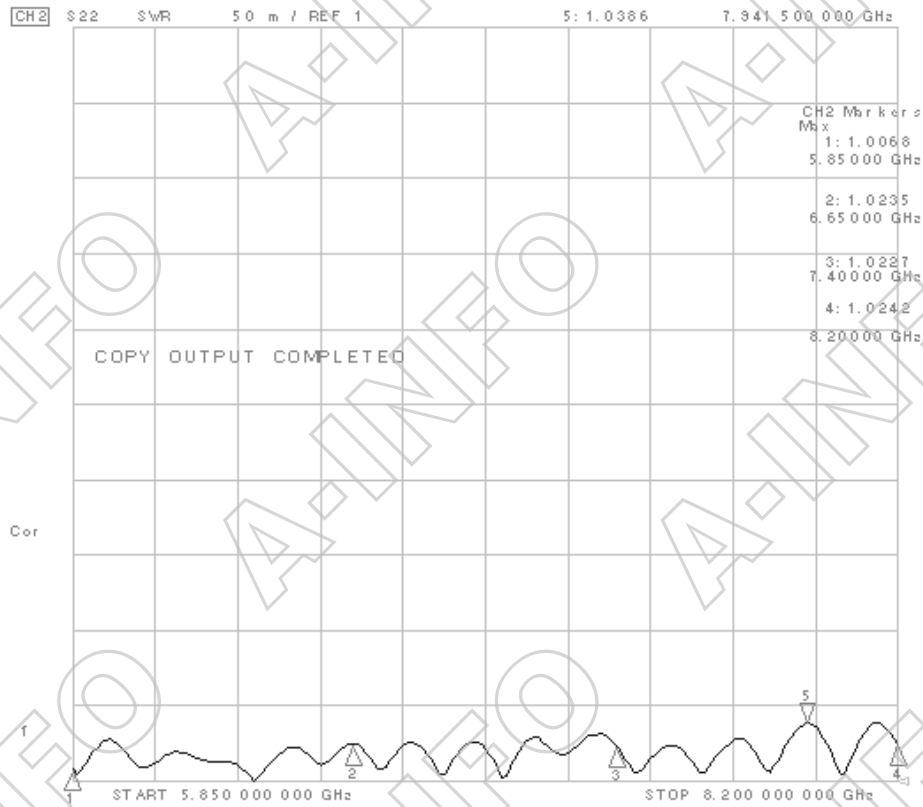
#### Coupling



#### Directivity



### Mainline VSWR



### Secondline VSWR

