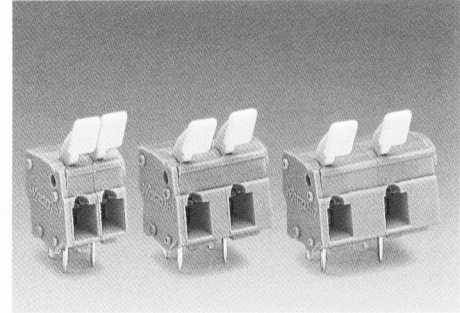
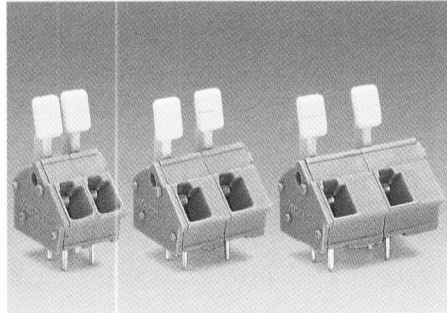
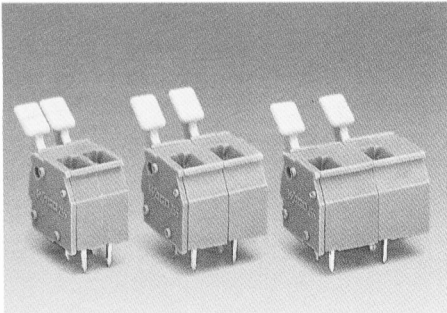


Terminal Strips with Finger Operated Levers for Series 255, 256 and 257

<p>Pin spacing 5 / 5.08 mm / 0.2 in Pin spacing 7.5 / 7.62 mm / 0.3 in Pin spacing 10 / 10.16 mm / 0.4 in</p> <p>Technical data see page 2.11</p>	<p>Pin spacing 5 / 5.08 mm / 0.2 in Pin spacing 7.5 / 7.62 mm / 0.3 in Pin spacing 10 / 10.16 mm / 0.4 in</p> <p>Technical data see page 2.13</p>	<p>Pin spacing 5 / 5.08 mm / 0.2 in Pin spacing 7.5 / 7.62 mm / 0.3 in Pin spacing 10 / 10.16 mm / 0.4 in</p> <p>Technical data see page 2.15</p>
---	---	---

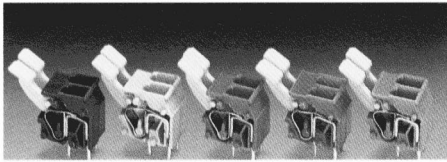


No. of poles	Item-No.	Pack.-unit pcs	No. of poles	Item-No.	Pack.-unit pcs	No. of poles	Item-No.	Pack.-unit pcs
Terminal strips with finger operated levers, grey, 2 solder pins/pole Pin spacing 5/5.08 mm / 0.2 in 2 255-402/333-000 400			Terminal strips with finger operated levers, grey, 2 solder pins/pole Pin spacing 5/5.08 mm / 0.2 in 2 256-402/333-000 400			Terminal strips with finger operated levers, grey, 2 solder pins/pole Pin spacing 5/5.08 mm / 0.2 in 2 257-402/333-000 400		
Pin spacing 7.5/7.62 mm / 0.3 in 2 255-502/333-000 ① 280			Pin spacing 7.5/7.62 mm / 0.3 in 2 256-502/333-000 ① 280			Pin spacing 7.5/7.62 mm / 0.3 in 2 257-502/333-000 ① 280		
Pin spacing 10/10.16 mm / 0.4 in 2 255-602/333-000 ① 200			Pin spacing 10/10.16 mm / 0.4 in 2 256-602/333-000 ① 200			Pin spacing 10/10.16 mm / 0.4 in 2 257-602/333-000 ① 200		

① With blue insulating housings suitable for EEx i applications

① With blue insulating housings suitable for EEx i applications

① With blue insulating housings suitable for EEx i applications



Additional item-Nos. for colored terminal strips with finger operated levers

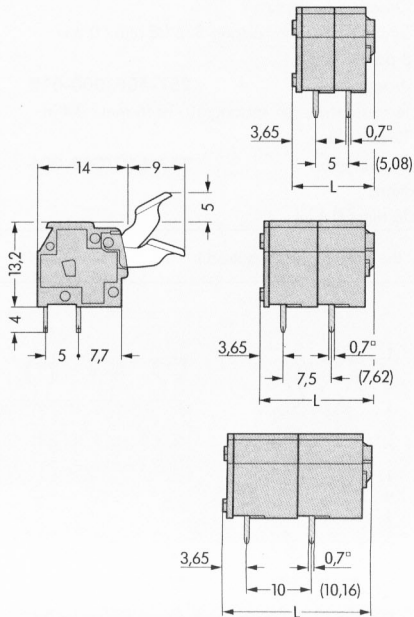
- blue .../333-006 ①
- dark grey .../333-008
- light grey .../333-009
- orange .../333-012
- light green .../333-017

Ordering examples

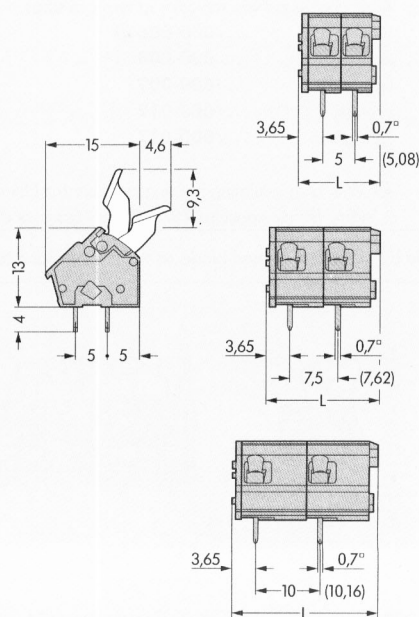
Terminal strip, pin spacing 5/5.08 mm / 0.2 in
 2-pole, orange: **255-402/333-012**

Terminal strip, pin spacing 7.5/7.62 mm / 0.3 in
 2-pole, blue: **256-502/333-006**

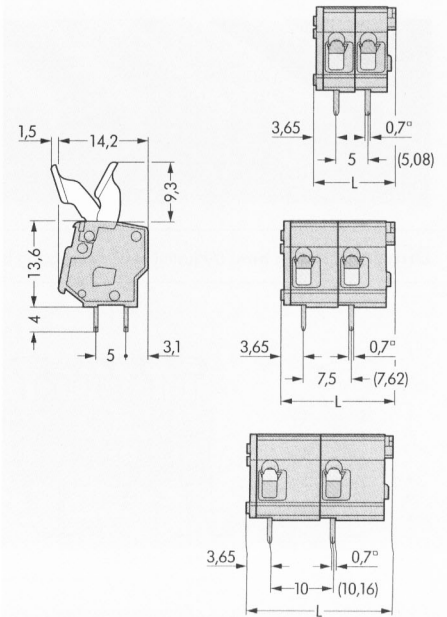
Dimensions (in mm)



Diameter of drilled hole: 1.1^{+0.1} mm
 L = (No. of poles x pin spacing) + 2.9 mm



Diameter of drilled hole: 1.1^{+0.1} mm
 L = (No. of poles x pin spacing) + 2.9 mm



Diameter of drilled hole: 1.1^{+0.1} mm
 L = (No. of poles x pin spacing) + 2.9 mm