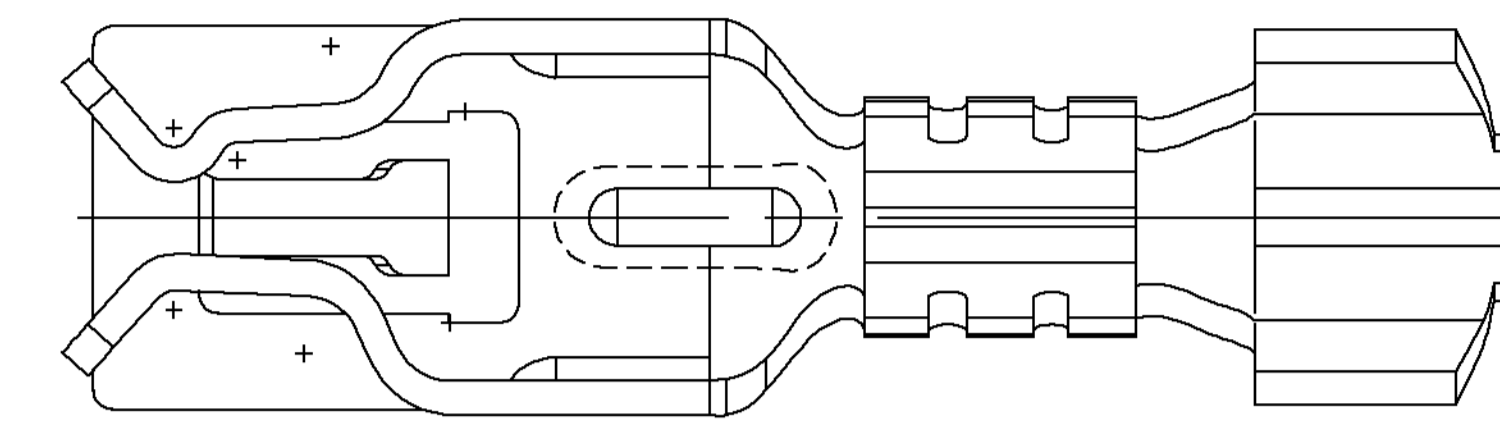
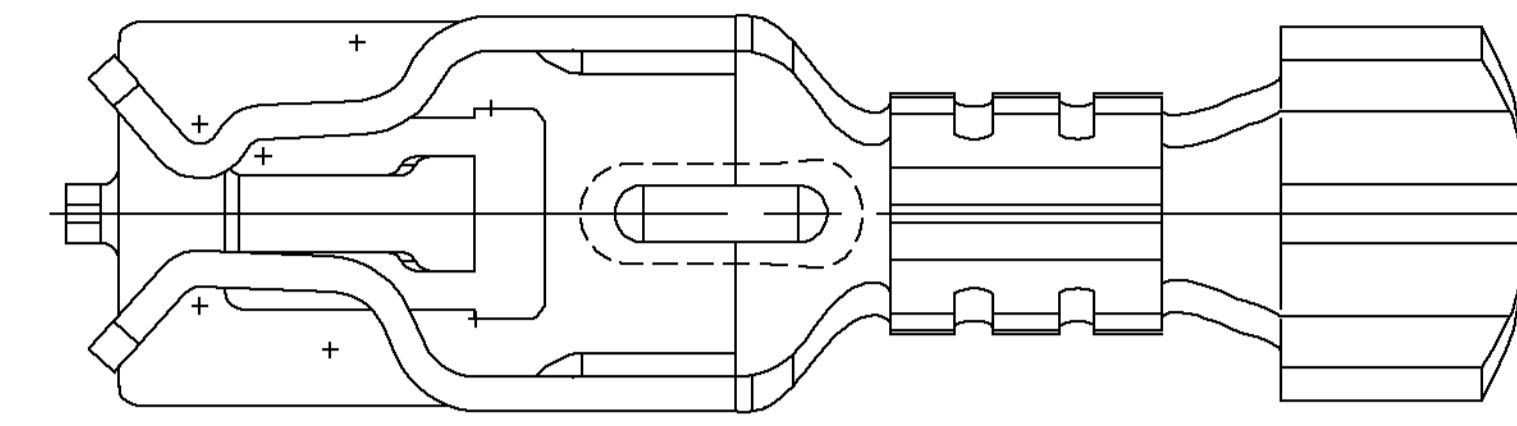


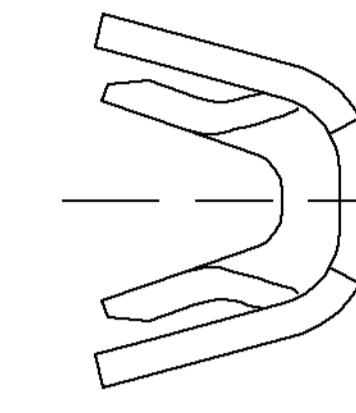
DELPHI PACKARD ELECTRIC SYSTEMS
WARREN, OHIO 44486



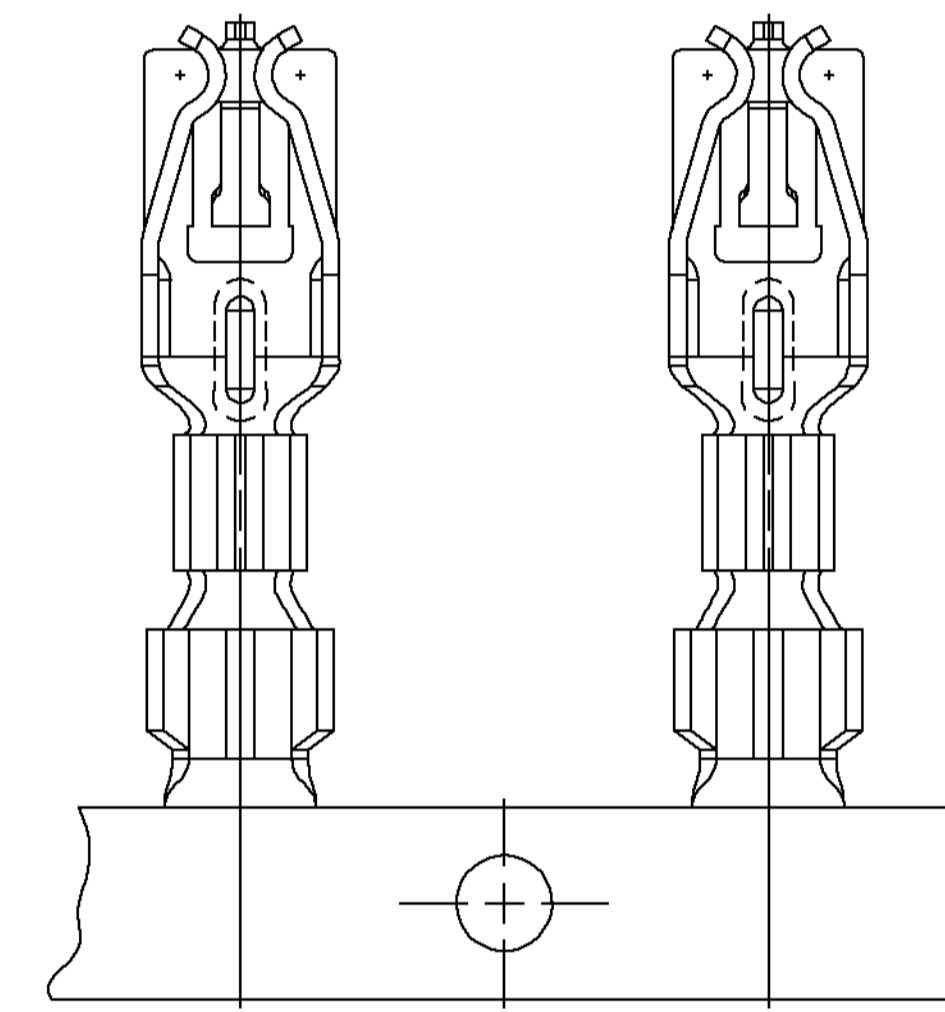
OPTIONAL CONSTRUCTION



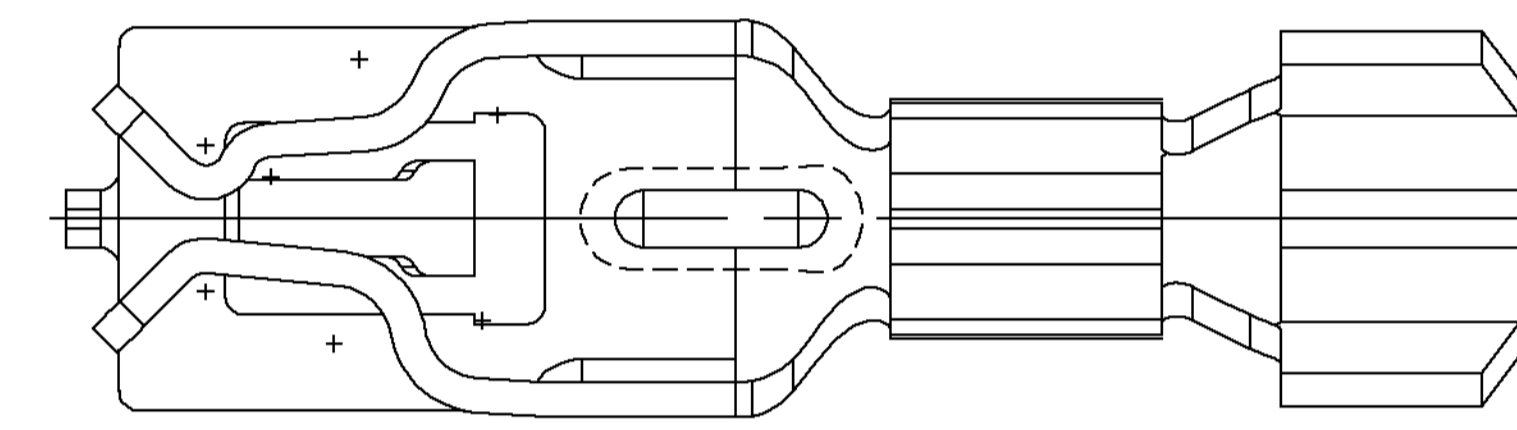
FORM TYPE 103



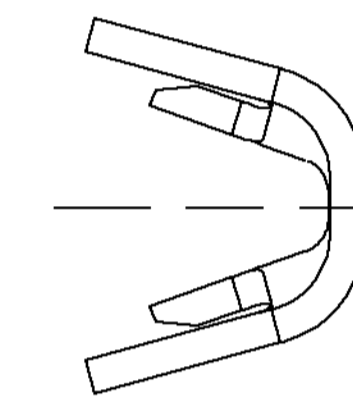
WING COSTRUCTION 11



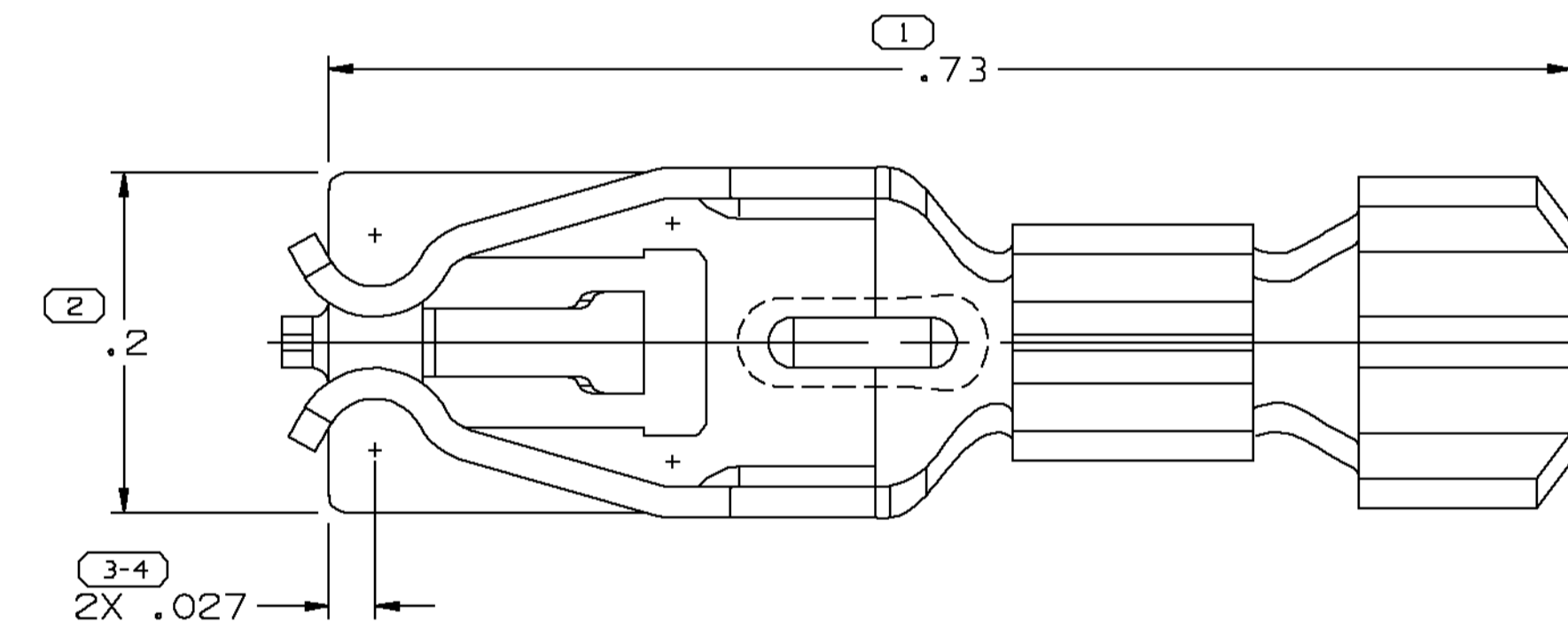
CARRIER STRIP VIEW
SCALE 5:1



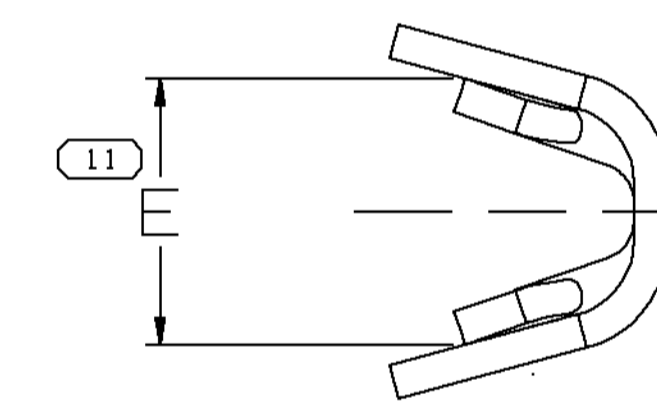
FORM TYPE 102



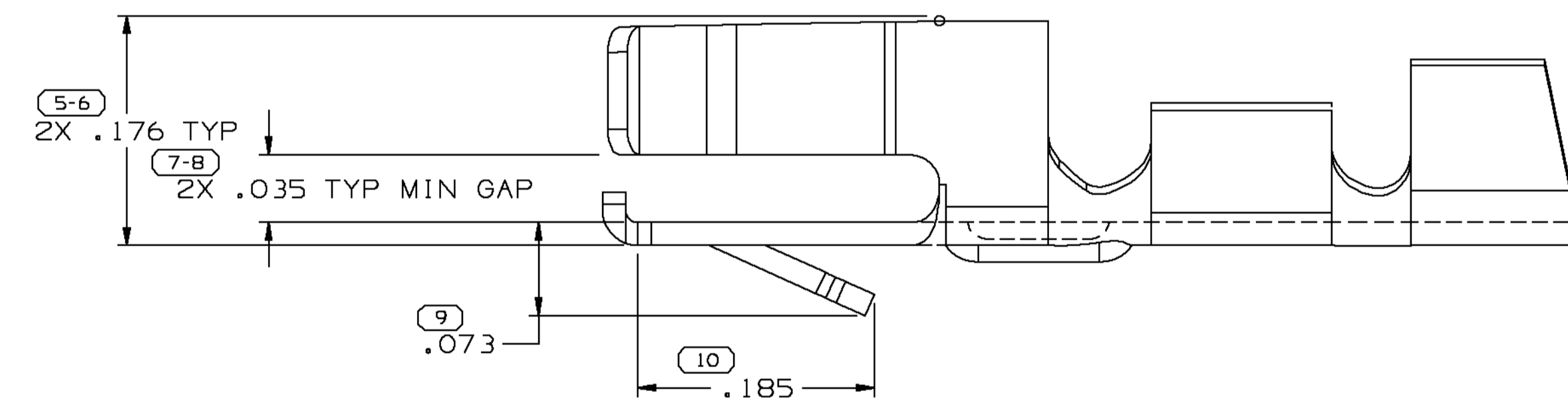
WING COSTRUCTION 111



FORM TYPE 101



WING COSTRUCTION 1



NOTES

- UNLESS OTHERWISE SPECIFIED AND/OR INDICATED: DIMENSIONS ARE TO FACE OF VIEW SHOWN AND AUTOMATICALLY ROUNDED BY COMPUTER FOR INSPECTION. (SEE MATH MODEL FOR PRECISE DIMENSIONS.) FOR ALL OTHER DIMENSIONS NOT SHOWN BUT REQUIRED FOR TOOL BUILD, SEE MATH MODEL FOR PRECISE TOOL PATH DATA.
- THIS PART ACCEPTS THE FOLLOWING COMPONENTS OR EQUIVALENT BULB 09421330

PART NO	STG	REV	N/P	STATUS	MAT'L	SIZE	MAT'L SPEC	PART NO	STG	REV	N/P	STATUS	MAT'L SPEC	SIZE (MM ²)	DIA	ID	TYPE	WING CONSTRUCTION		
15324265	R	A1			.018 X 1.062	S-1525053		15324266	R	A1				K-1525053	0.8-0.5	3.13 MAX	19	103	111	.128
12089661	R	B1			.018 X 1.062	S-1525053		12089139	R	E1				K-1525053	0.8-0.5	3.13 MAX	19	103	111	.128
12089136	R	B1			.018 X 1.062	S-1525053								0.35	2-1.35	22	103	111	.09	
12089135	R	B1			.018 X 1.062	S-1525053		12089137	R	D1				3	3.65-3.49	-	103	111	.195	
12089134	R	S1			.018 X 1.062	S-1525053								TWO 0.8-0.5	2.4-2.03	-	103	111	.2	
12089133	R	R		OBSOLETE	.018 X 1.062	S-1525053		12089138	R	D		OBSOLETE		K-1525053	0.8-0.5	2.4-2.03	-	103	111	.135
12084473	R	A		OBSOLETE	.018 X 1.062	S-1525053								TWO 0.8-0.5	3.12-2.03	219	102	111	.2	
12084472	R	B		OBSOLETE	.018 X 1.062	S-1525053								0.35	2-1.35	22	101	111	.09	
12084471	R	B		OBSOLETE	.018 X 1.062	S-1525053								3	3.65-3.49	-	101	111	.195	
12084469	R	B		OBSOLETE	.018 X 1.062	S-1525053								TWO 0.8-0.5	2.4-2.03	-	101	111	.2	
12077612	R	B		OBSOLETE	.018 X 1.062	S-1525053		12077561	R	B		OBSOLETE		K-1525053	0.8-0.5	3.13 MAX	19	102	111	.125
12041285	R	C		OBSOLETE	.018 X 1.062	S-1525053								0.8-0.5	2.4-2.03	-	101	111	.135	
12020225	R	E		OBSOLETE	.018 X 1.062	S-1525053								TWO 0.8-0.5	3.12-2.03	219	101	111	.2	
08917207	R	E		OBSOLETE	.018 X 1.062	S-1525053		12066089	R	B		OBSOLETE		K-1525053	0.35	2-1.35	22	102	111	.09
06294127	R	P		OBSOLETE	.018 X 1.062	S-1525053								TWO 0.8-0.5	3.65-3.49	-	102	111	.195	
06294126	R	N		OBSOLETE	.018 X 1.062	S-1525053		12066090	R	B		OBSOLETE		K-1525053	0.8-0.5	2.4-2.03	-	102	111	.2

DIMENSIONS IN () INDICATE PROCESS SENSITIVE DIMENSIONS. DIMENSIONS IN [] INDICATE REFERENCE DIMENSIONS. NO TOLERANCE LIMITS ARE ESTABLISHED.

SYMBOL DEFINITION				MISSING NUMBERS			
THE NUMBER INSIDE THE SYMBOL CORRESPONDS TO THE NUMBER ON THE INSPECTION REPORT FOR THIS DRAWING/PART NUMBER	TOTAL NO. OF SYMBOLS ON DRAWING	8					
	LAST NO. USED	11					

DWG STATUS				REVISION HISTORY				AUTH		
DATE	STG	REV	CHG/N/P	ZONE	ALL ACTIVE PARTS - REDRAEN TO PD:	12089661 - UPDATED REV LEVEL	196864	EAR	GMC	JA

DELPHI
Automotive Systems

MATERIAL SPEC SEE CHART

DIMENSIONAL RANGE (IN)
FROM TO TOLERANCE UNLESS OTHERWISE SPECIFIED ANGLULAR TOLERANCE ±

PART DRAWING

CODE NUMBER 6900 DWG DATE 13FE67 SCALE 10:1 VOLUME cm³

PART GEOMETRY 3D SOLID UNLESS OTHERWISE SPECIFIED:

PERFECT FORM REQUIRED FOR FEATURES OF SIZE AT MMC. TRUE POSITION TOLERANCES AND RELATED DATUMS APPLY AT CONDITION OF SIZE INDICATED IN FEATURE CONTROL FRAME. ALL OTHER GEOMETRIC TOLERANCES AND RELATED DATUMS APPLY RFS. SEPARATE TRUE POSITION CALLOUTS MAY BE GAGED SEPARATELY, REGARDLESS OF DATUM REFERENCE.

COPY OF MATH DATA DO NOT SCALE

ENGLISH UNLESS OTHERWISE SPECIFIED, ALL DIMENSIONS ARE IN MILLIMETERS

THIRD ANGLE PROJECTION

DRAWING NUMBER TAXI TERM LP SOC WGE BSA

SHEET NUMBER 1 of 3 DRAWING NUMBER 06294128 DWG STATUS R 001 N/P SIZE A0