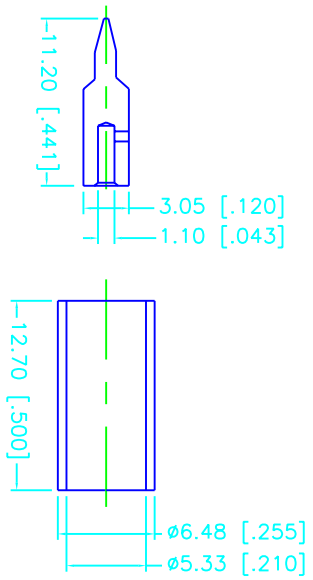
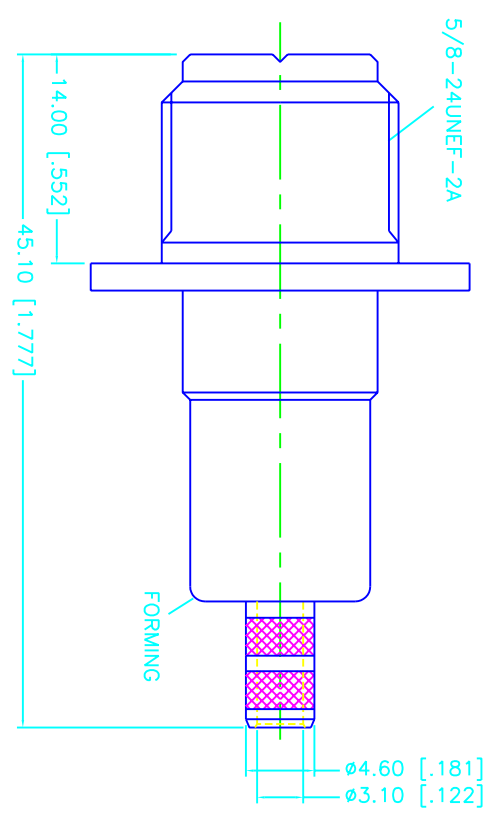
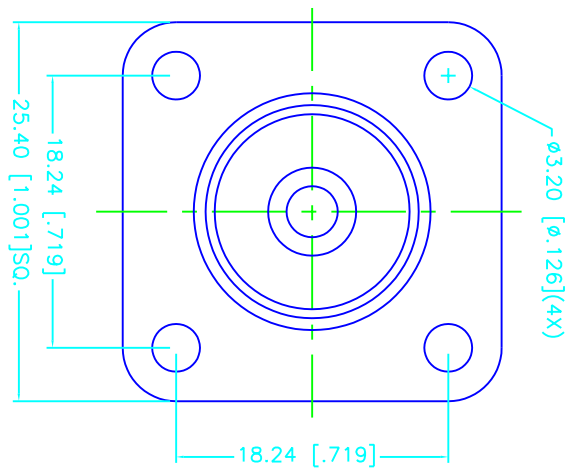
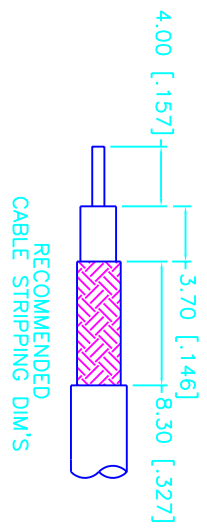


REV.	DATE	DESCRIPTION
A	01/04/00	MODIFY MATING FACE AND CONTACT PIN
B	02/17/00	MODIFY CONTACT PIN I.D.



DESCRIPTION	MATERIAL	FINISH
1 BODY	DIE CAST	NICKEL
2 INSULATOR	TEFLON	NATURAL
3 CONTACT PIN	BRASS	GOLD
4 BARREL	BRASS	NICKEL
5 CONTACT PIN	BRASS	GOLD
6 FERRULE	COPPER	NICKEL
7		
8		

UNLESS OTHERWISE SPECIFIED DIMENSIONS ARE IN MILLIMETERS FOR CUSTOMER REFERENCE ONLY

UNLESS OTHERWISE SPECIFIED TOLERANCES FOR MILLIMETERS ARE:

0.5-6 = ± 0.2
6-30 = ± 0.4
30-120 = ± 0.6
120-315 = ± 1
315-1000 = ± 1.6
1000-2000 = ± 2.4

DO NOT SCALE DRAWING

APPROVALS	DATE
DRAWN G.R.S.	02/17/00
CHECKED	
ISSUED	

TITLE: UHF PANEL CRIMP JACK (FOR RG-58/U CABLE)

Connector Corporation

SIZE: A FSCM NO. 99001 DWG. NO. 182128.DWG

SCALE: NA PART NO. 182128 SHEET 1 OF 1

REV. B

