

# 3.3Vdc HCMOS/TTL COMPATIBLE VCXO



5.0 x 3.2 x 1.2mm

**ASFLV**



**ESD Sensitive**



**RoHS/RoHS II Compliant**

Moisture Sensitivity Level (MSL) – This product is Hermetically Sealed and not Moisture Sensitive - MSL = N/A: Not Applicable

## FEATURES:

- Pb-Free/RoHS Compliant
- IR reflow capable
- Hermetically sealed

## APPLICATIONS:

- CCD clock for VTR camera
- Computers and peripherals
- Portable MP3 players and games

## STANDARD SPECIFICATIONS:

### Common Key Electrical Specifications

Parameters	Minimum	Typical	Maximum	Units	Notes
Frequency Range:	1.0	-----	50	MHz	
Operating Temperature:	-10	-----	+70	°C	See options
Storage Temperature:	-50	-----	+100	°C	
Overall Frequency Stability:	-100	-----	+100	ppm	See options
Supply Voltage (Vdd):	2.97	3.3	3.63	V	3.3V±10%
Control Voltage (Vc):	0.3	1.65	3.0	V	
Supply Current (I <sub>dd</sub> ):	-----	1.6	8.0	mA	1.000~9.999 MHz
	-----	2.2	8.0		10.000~19.999 MHz
	-----	3.0	15.0		20.000~39.999 MHz
	-----	4.5	22.0		40.000~50.000 MHz
Linearity:	-10	-----	10	%	Pullability: ±100ppm min
	-20	-----	20		Pullability: ±150ppm min
Output Load	-----	-----	15	pF	
	-----	-----	2	TTL	
Output Voltage:	V <sub>OH</sub>	0.9*Vdd	-----	V	
	V <sub>OL</sub>	-----	0.1*Vdd	V	
Pullability:	±50	-----	-----	ppm	See options
Aging:	-5.0	-----	+5.0	ppm	@+25°C First year
Symmetry:	40	-----	60	%	@1/2Vdd (See options)
Start-up Time :	-----	0.6	10.0	ms	1.000~9.999 MHz
	-----	0.3	10.0		10.000~19.999 MHz
	-----	0.3	10.0		20.000~39.999 MHz
	-----	0.3	10.0		40.000~50.000 MHz
Rise/Fall Time (Tr/Tf):	-----	2.7	5.0	ns	1.000~9.999 MHz
	-----	2.4	5.0		10.000~19.999 MHz
	-----	2.1	5.0		20.000~39.999 MHz
	-----	1.7	5.0		40.000~50.000 MHz
Period jitter RMS :	-----	5.5	15.0	ps	1.000~9.999 MHz
	-----	5.2	15.0		10.000~19.999 MHz
	-----	4.2	15.0		20.000~39.999 MHz
	-----	7.5	15.0		40.000~50.000 MHz
Phase jitter RMS (12kHz to 5MHz): 1.0MHz ~ 24.999MHz (12kHz to 20MHz): 25.0MHz ~ 50MHz	-----	-----	-----	ps	1.000~9.999 MHz
	-----	0.8	2.0		10.000~19.999 MHz
	-----	0.3	1.0		20.000~39.999 MHz
	-----	0.2	1.0		40.000~50.000 MHz

# 3.3Vdc HCMOS/TTL COMPATIBLE VCXO



5.0 x 3.2 x 1.2mm

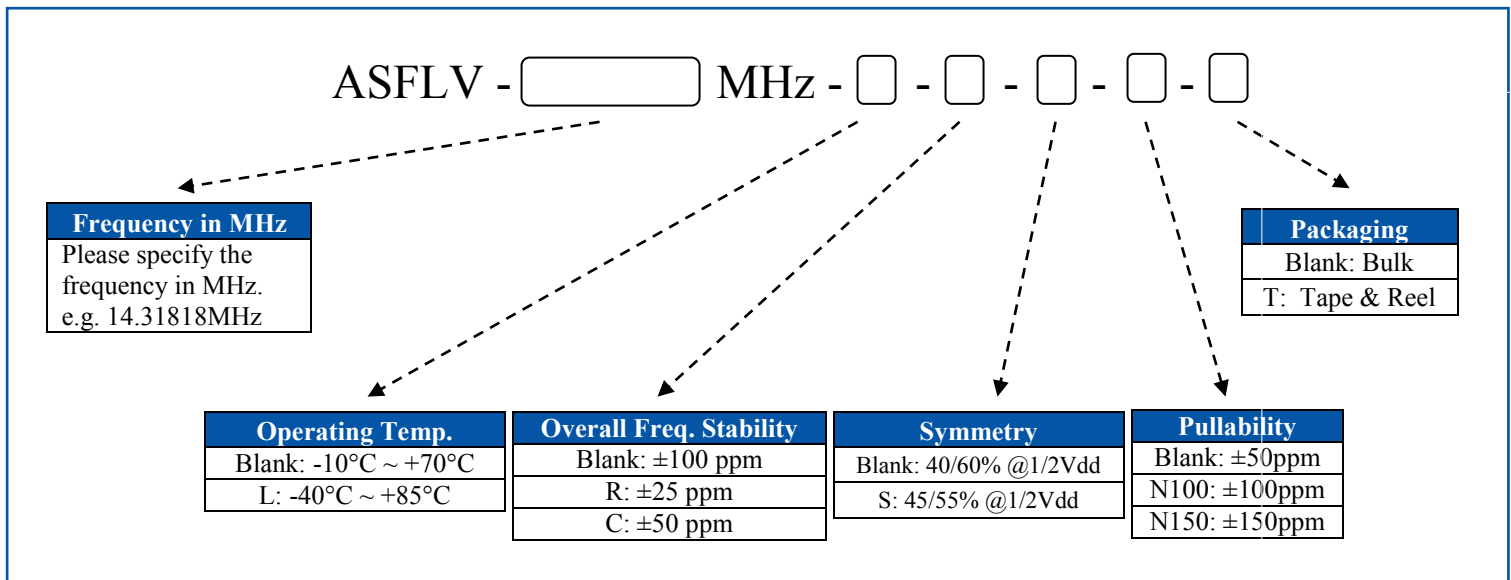
**ASFLV**

**Pb** | **RoHS/RoHS II Compliant**

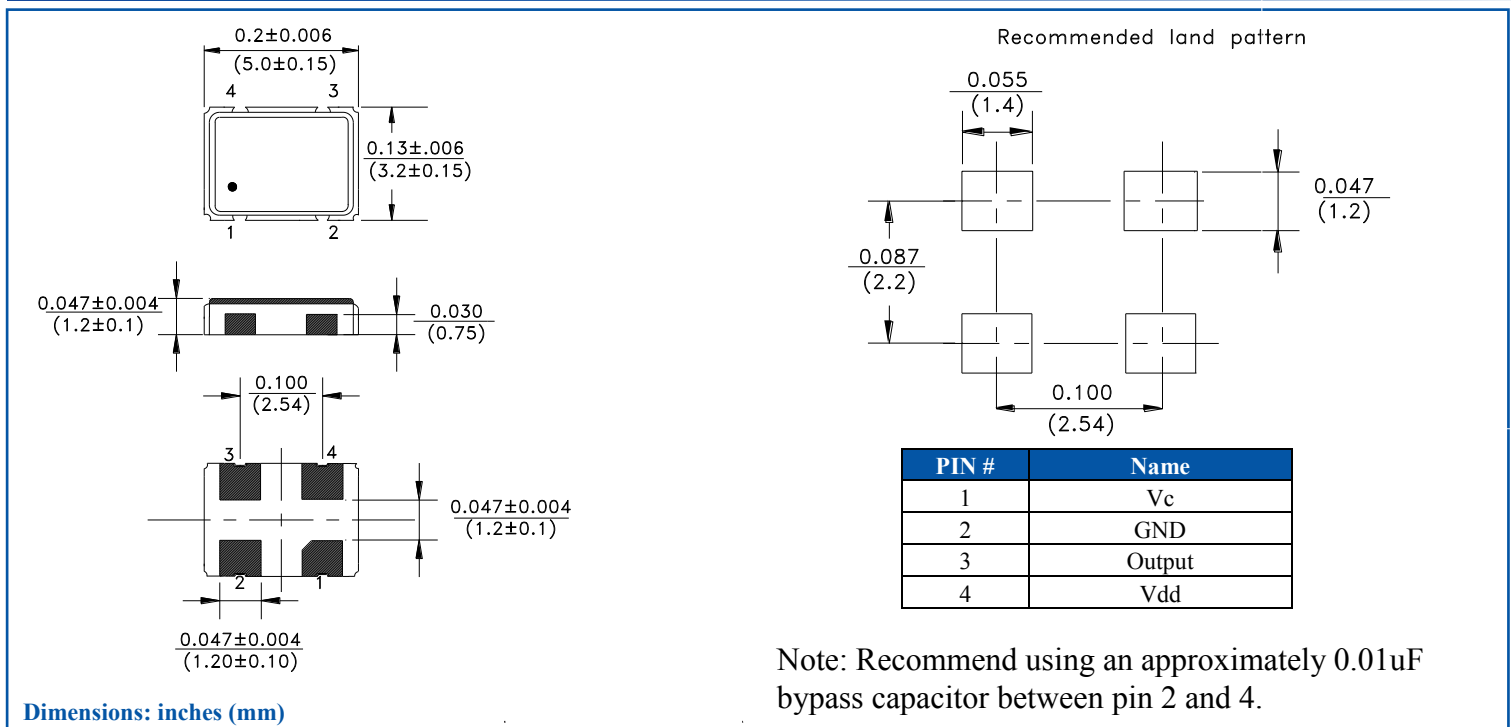
## Common Key Electrical Specifications (Continued)

Phase Noise (Typical value):	Offset	1kHz	10kHz	100kHz	dBc
	1.000~9.999 MHz	-----	-----	-----	
	10.000~19.999 MHz	-133	-143	-150	
	20.000~39.999 MHz	-130	-144	-153	
	40.000~50.000 MHz	-124	-146	-154	

## OPTIONS AND PART IDENTIFICATION: (left blank if standard)



## OUTLINE DIMENSION:



Dimensions: inches (mm)

ABRACON IS  
ISO9001:2008  
CERTIFIED

**ABRACON**<sup>®</sup>  
The Power of Linking Together

2 Faraday, Suite# B | Irvine | CA 92618 Revised: 08.12.15  
Ph. 949.546.8000 | Fax. 949.546.8001  
Visit [www.abracon.com](http://www.abracon.com) for Terms and Conditions of Sale

