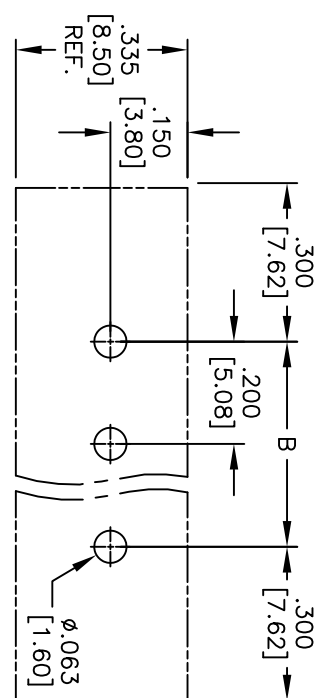
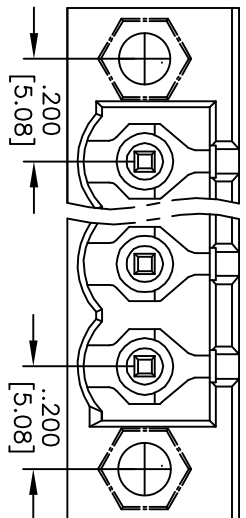
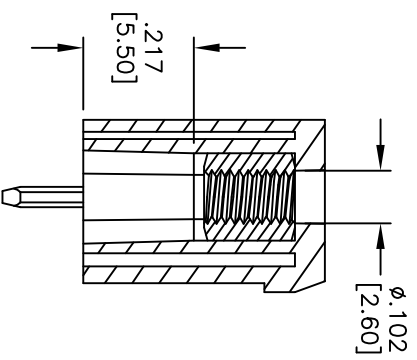
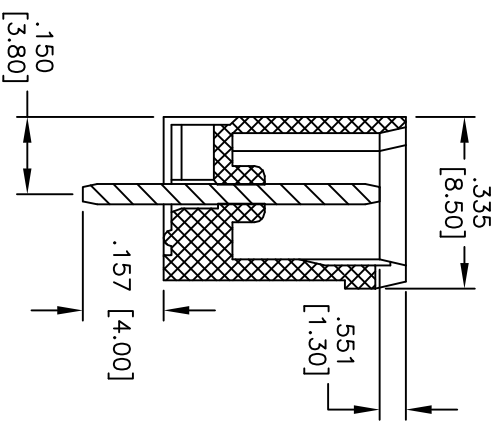
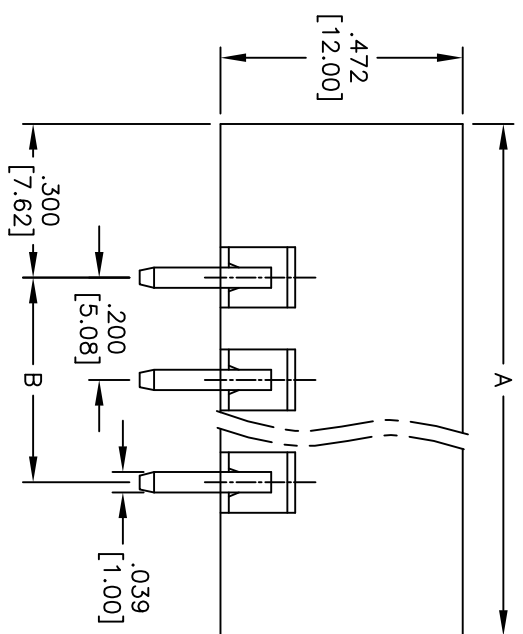


Rev	AWO #	Description	Date	Appr
-		RELEASED	3/10/10	

APPROVED: _____
 DATE: _____ TITLE: _____



RECOMMENDED PCB LAYOUT



Positions: 02 thru 24
 A = .200 [5.08] x No. of (Positions + 2)
 B = .200 [5.08] x No. of Spaces

ADAM TECH

909 Rahway Avenue, Union, NJ 07083
 Phone: 908-687-5000 Fax: 908-687-5710

TITLE: **TERMINAL BLOCK, SOCKETS FOR PLUGGABLE, VERTICAL, .200" [5.08] PITCH**

SPECIFICATIONS:
 Material: Thermoplastic, rated UL 94V-0
 Insulator color: Green
 Contact: Brass, Tin plated.
 Flange nut: Brass, M2.5
 Electrical:
 Operation voltage: 300 VAC max
 Current rating: 20 Amps max per Pole
 Dielectric withstanding voltage: 1600 VAC for 1 minute
 Environmental:
 Operating temperature: -40°C to +115°C
 Lead free, RoHS compliant.
 Recommended soldering temp: 235°C for 5 sec.

UNLESS OTHERWISE SPECIFIED ALL DIMENSIONS ARE MM [INCHES] TOLERANCES: EXCEPT AS NOTED	
X .XX ± .10	ØXX ± .10
.XX ± .020	ØXX ± .015
.XXX ± .015	ØXXX ± .010
APPROVALS	DATE
DRAWN DY	3/10/10
CHECKED	
APPROVED	

REF: S00007T	SCALE: NTS	SHEET 1 OF 1
SIZE PART NO. EBP-XX-D-E	REV. -	

