

Adapter (Waveguide to Coaxial)

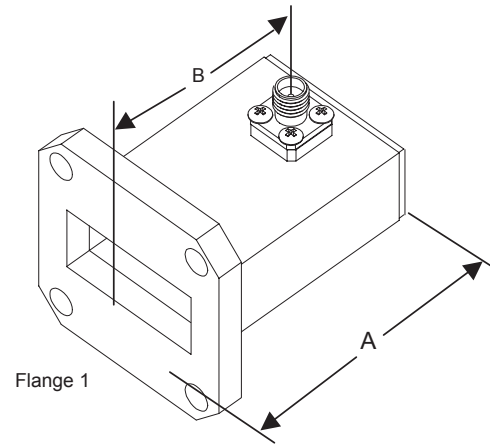
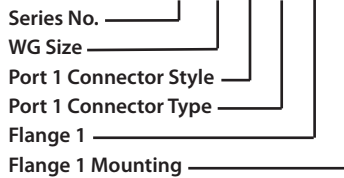
Series No: 121

Part Description

UBS offers a standard product line of precision rectangular waveguide-to-coax adapters covering waveguide sizes from WR-28 through WR-430.

Ordering Data

Part number - 121 - X - X - X - X - X



Flange Configuration

Flange Type	C - Cover G - Groove CHOKE CMR CPR(F, G)
Flange Mounting Holes	T1 - Through Holes T2 - Threaded A - Alternating

Connector Style

Style	SMA N 2.9 mm (K) 3.5 mm 2.4 mm
Type	M - Male F - Female

Electrical Specification

VSWR	< 1.10 typ.
-------------	-------------

STANDARD FINISH: is electroless corrosion protection for the metal surface. Non standard configurations and finishes (Silver, Nickel, Cadmium plating) are available upon request. Waveguide sizes up to WR-650 available. Contact our sales department with your requirements.

Specifications

Size	Frequency GHz	Dimensions			
		SMA-Type		N-Type	
		A	B	A	B
WR28	26.50 - 40.00	-	-	-	-
WR34	22.00 - 33.00	-	-	-	-
WR42	18.00 - 26.00	1.00	0.75	-	-
WR51	15.00 - 22.00	1.12	0.82	-	-
WR62	12.40 - 18.00	1.01	0.79	1.67	1.42
WR75	10.00 - 15.00	1.01	0.65	1.38	1.09
WR90	8.20 - 12.40	1.07	0.72	1.65	1.24
WR112	7.05 - 10.00	1.42	1.03	1.88	1.45
WR137	5.85 - 8.20	1.57	1.03	2.13	1.61
WR159	4.09 - 7.05	2.00	1.40	2.38	1.76
WR187	3.95 - 5.85	3.50	2.80	2.41	1.65
WR229	3.30 - 4.90	3.50	2.70	2.41	1.47
WR284	2.60 - 3.95	4.00	2.70	2.66	1.46
WR340	2.20 - 3.30	-	-	3.52	2.12
WR430	1.70 - 2.60	-	-	4.50	2.62

(specifications are subject to change without notice)

www.Uniquesys.com

Head Office: Unique Broadband Systems a DOL Technologies Inc. Company
120 Spinnaker Way, Vaughan Ontario L4K 2P6 | Tel: 905 669 8533 | Toll Free: 1 877 669 8533 | Email: Sales@uniquesys.com