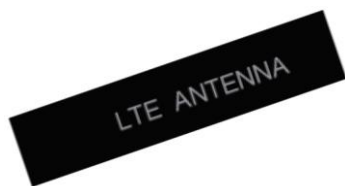


BTPA Series



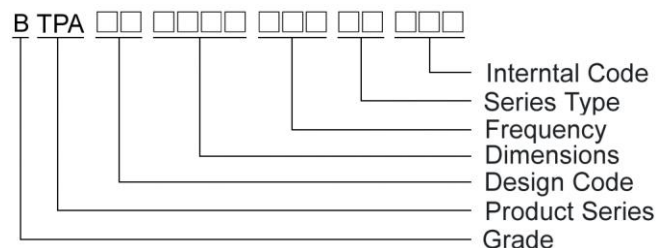
Features

- Small size low-profile, low cost and lightweight type
- Wide bandwidth and Omni-directional
- Supported with Dip-type, SMD, and Co-axial cable connecting
- Customized

Applications

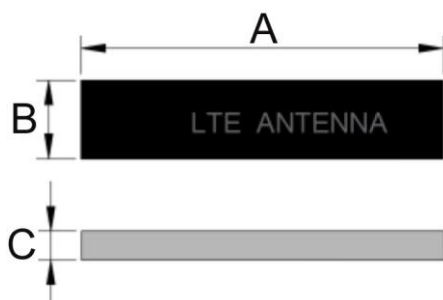
- Bluetooth, Wireless Router, Set Top Box and Home digital
- ISM band, Lora, Sigfox, LTE, NB-IOT, GPS, WiFi and Car use.

Product Identification

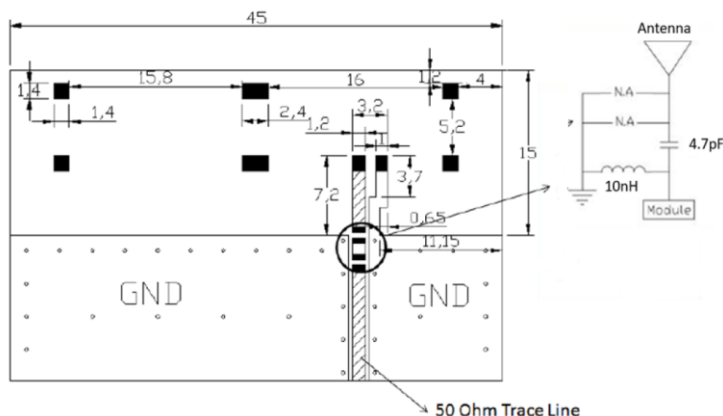


Shapes and Dimensions

FIG 1



Recommend foot print for Evaluation Board

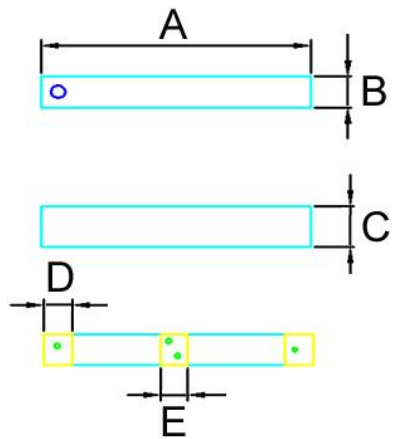


Dimensions in mm

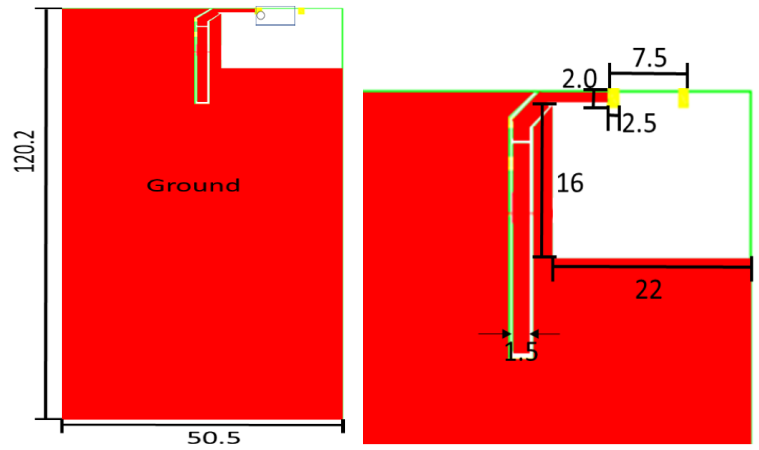
TYPE	FIG	A	B	C
BTPA0038084G0D1A01	1	38	8	3

Shapes and Dimensions

FIG 2



Recommend PC Board Pattern



Dimensions in mm

TYPE	FIG	A	B	C	D	E
BTPA0070200G8D1A01	2	7±0.3	2±0.3	1.2±0.3	0.85±0.2	0.75±0.2

PCB Chip Antenna BTPA Series

Electrical Characteristics

Part Number	Frequency Range (MHz)	Impedance (Ω)	Return Loss (dB)	Efficiency	Termination
BTPA0038084G0D1A01	698~2690	50	<-3	698~824MHz >20% 824~960MHz >40% 1710~2170MHz >50% 2170~2690MHz >40%	Ag (Environmentally-Friendly Pb)

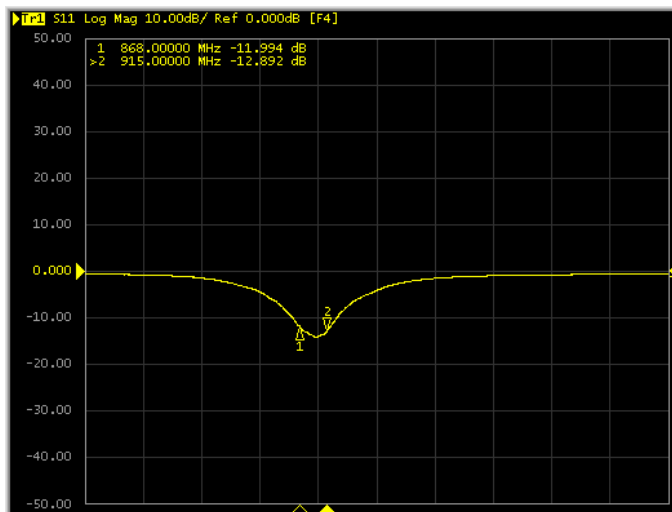
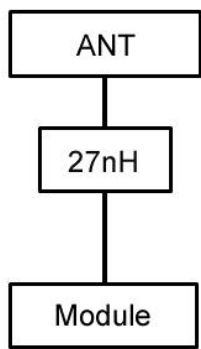
- Operating temperature range - 40°C ~ +80°C
- Storage temperature range - 45°C ~ +85°C

Part Number	Impedance (Ω)	Test Frequency (GHz)	Bandwidth* (MHz)	Peak Gain* (dB)	VSWR (Max)	Polarization
BTPA0070200G8D1A01	50	868~915	37	0~2	2	Linear

- Operating temperature range - 25°C ~ +125°C
- Storage temperature range 20°C ~ 25°C

Test Instruments :

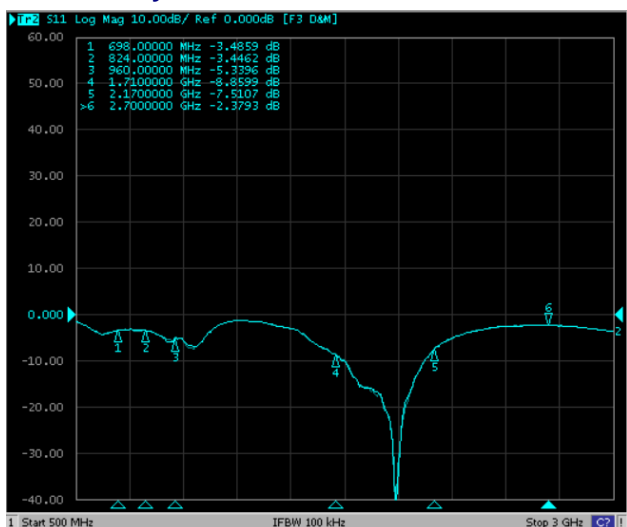
BTPA0070200G8D1A01



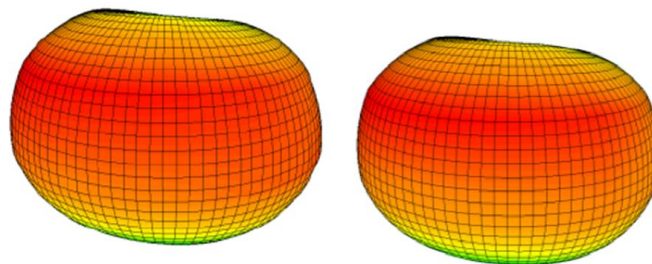
Please be sure to request approval specifications that provide further details of the products. Kindly note that the content of these specifications are subject to change or may be discontinued without prior notice. This product may not be designed/used in medical or high risk applications without Chilisin approval. Please contact our sales department before ordering.

BTPA0038084G0D1A01

Network Analyzer Test



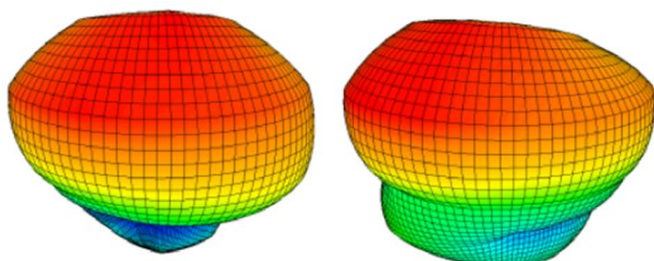
Peak Gain and Efficiency



824 MHz

960MHz

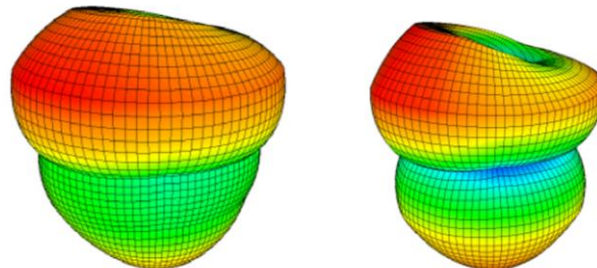
Layer	824(MHz)	915(MHz)	960(MHz)
Peak Gain(dB)	-0.52	0.12	-0.31
Efficiency(%)	54.12	58.13	52.37



1710MHz

2170MHz

Layer	1710MHz	1809MHz	1908MHz	2170MHz
Peak Gain(dB)	1.03	1.15	1.13	1.07
Efficiency(%)	68.56	71.12	70.91	69.32



2100MHz

2700MHz

Layer	2100(MHz)	2500(MHz)	2700(MHz)
Peak Gain(dB)	2.13	1.35	1.16
Efficiency(%)	77.71	45.14	43.5

Please be sure to request approval specifications that provide further details of the products. Kindly note that the content of these specifications are subject to change or may be discontinued without prior notice. This product may not be designed/used in medical or high risk applications without Chilisin approval. Please contact our sales department before ordering.

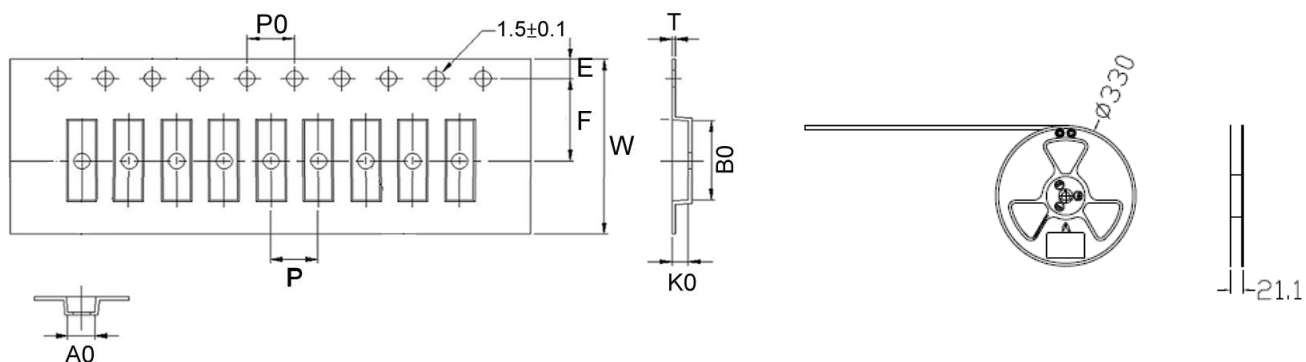
PCB Chip Series Antenna – BTPA Series

Packaging Specifications

Tape Dimensions

Reel Dimensions

FIG 1



Dimensions in mm

TYPE	FIG	Tape Dimensions										Packing Specification		Quantity
		A0	B0	T	E	W	P	P0	F	K0	Bundle	PE Bag	PCS / REEL	
BTPA003808	-	-	-	-	-	-	-	-	-	-	-	25	100	-
BTPA007020	1	1.2	8.2	0.3	1.75	16	4	4	7.5	1.45	-	-	10000	