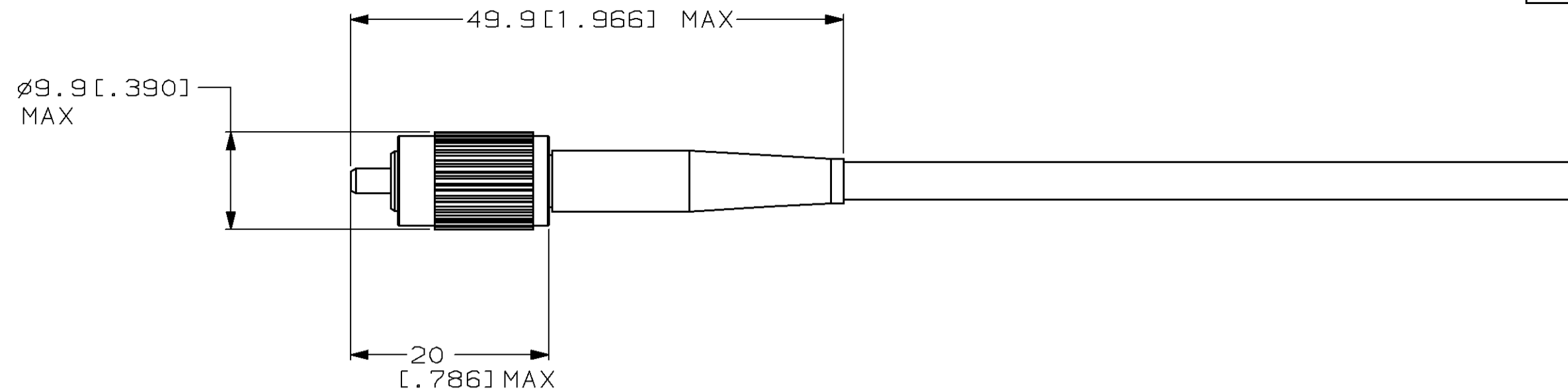


THIS DRAWING IS UNPUBLISHED. RELEASED FOR PUBLICATION
 BY AMP INCORPORATED. ALL RIGHTS RESERVED.

LOC	DIST	REVISIONS			
P	LTR	DESCRIPTION	DATE	DWN	APVD
CE	16				
	0	RELEASE PER NPR 96-003	3-12-96	BB	BP

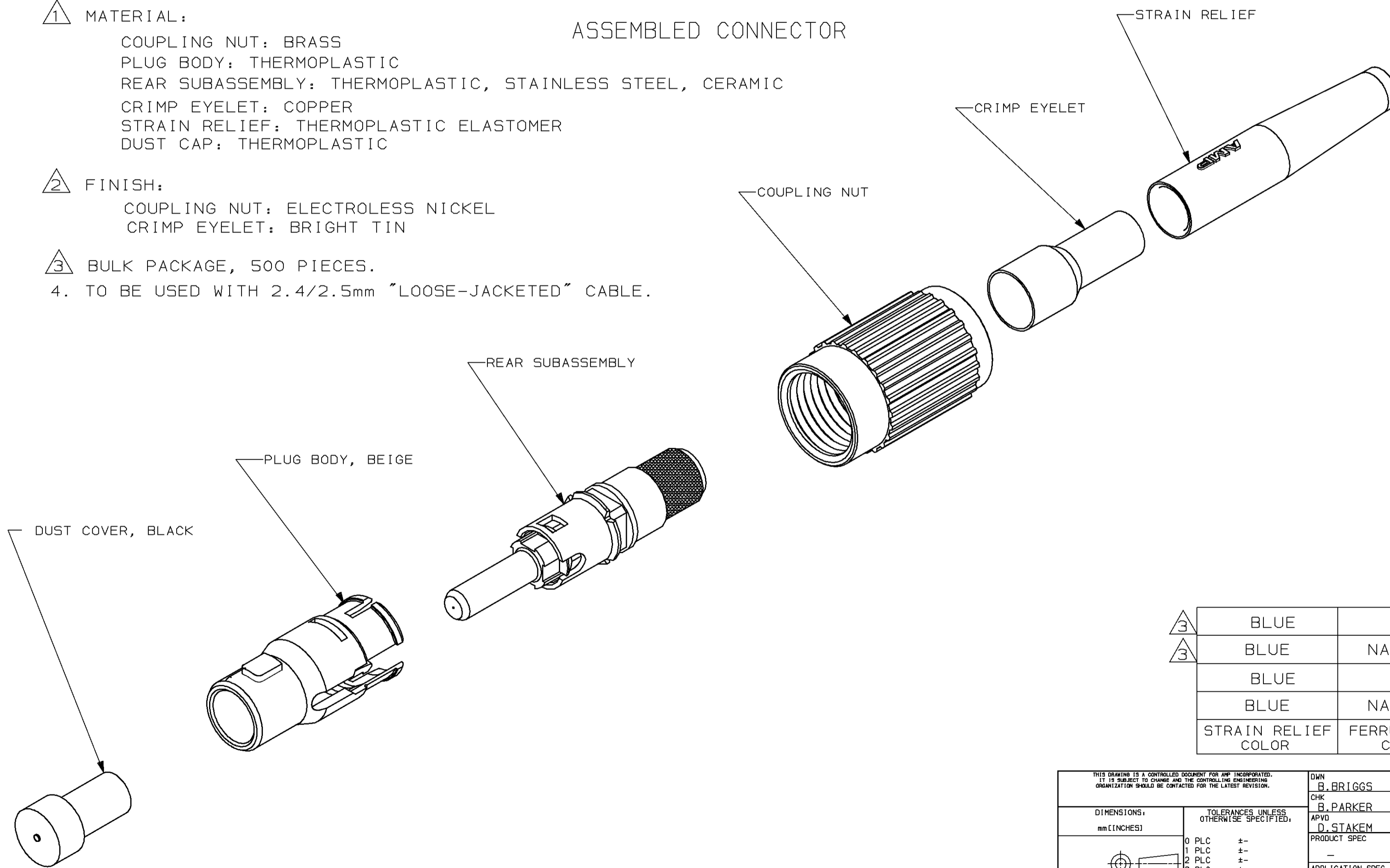


- 1 MATERIAL:
 COUPLING NUT: BRASS
 PLUG BODY: THERMOPLASTIC
 REAR SUBASSEMBLY: THERMOPLASTIC, STAINLESS STEEL, CERAMIC
 CRIMP EYELET: COPPER
 STRAIN RELIEF: THERMOPLASTIC ELASTOMER
 DUST CAP: THERMOPLASTIC

- 2 FINISH:
 COUPLING NUT: ELECTROLESS NICKEL
 CRIMP EYELET: BRIGHT TIN

- 3 BULK PACKAGE, 500 PIECES.
 4. TO BE USED WITH 2.4/2.5mm "LOOSE-JACKETED" CABLE.

ASSEMBLED CONNECTOR



3	BLUE	BLUE	126 ⁺¹ / ₋₀ μm	504916-4
3	BLUE	NATURAL	125 ⁺¹ / ₋₀ μm	504916-3
	BLUE	BLUE	126 ⁺¹ / ₋₀ μm	504916-2
	BLUE	NATURAL	125 ⁺¹ / ₋₀ μm	504916-1
	STRAIN RELIEF COLOR	FERRULE BASE COLOR	FERRULE HOLE SIZE	PART NUMBER

THIS DRAWING IS A CONTROLLED DOCUMENT FOR AMP INCORPORATED. IT IS SUBJECT TO CHANGE AND THE CONTROLLING ENGINEERING ORGANIZATION SHOULD BE CONTACTED FOR THE LATEST REVISION.

DIMENSIONS: mm (INCHES)	TOLERANCES UNLESS OTHERWISE SPECIFIED: 0 PLC ±- 1 PLC ±- 2 PLC ±- 3 PLC ±- 4 PLC ±- ANGLES ±- FINISH	DWN B. BRIGGS 3-12-96 CHK B. PARKER 3-12-96 APVD D. STAKEM 3-12-96	AMP Incorporated Harrisburg, PA 17105-3608
MATERIAL 1	FINISH 2	PRODUCT SPEC - APPLICATION SPEC - WEIGHT -	NAME CONNECTOR KIT, SINGLEMODE, FC, TUNABLE, 2.4/2.5mm
CUSTOMER DRAWING		SIZE A2 CAGE CODE 00779 DRAWING NO C-504916	SCALE NTS SHEET 1 OF 1 REV 0

504916

- [Home](#)
- [Part Number Search](#)
- [Text Search](#)
- [Alternate Part Search](#)
- [Multiple Part Comparison](#)
- [Alphabetical Search](#)
- [Brand Search](#)
- [Industry Product Search](#)
- [Product Type Search](#)
- [Product Family Search](#)
- [Competitor Cross Reference](#)
- [Document Number Search](#)
- [Lead Free Solutions](#)
- [Help/Glossary](#)

Current Brand View

AMP

[View All Tyco Electronics Brands](#)

Click to activate links to all other products

Fiber Optic Products

FC Type and D4 Connectors

AMP

504916-1 -- 5 of 9 products

Active

[Active](#)

(Tyco Electronics P/N: 504916-1)

Previous	Next	Sales Information	AMP ACES	Step Search Screen
			Related Documents	General Information
			Pricing	Product Availability

Please use the customer drawing for all design activity.

- **Customer Drawing: 504916**, Rev. O
Document Title: CONNECTOR KIT, SINGLEMODE, FC, TUNABLE, 2.4/2.5mm

[172488.pdf](#) [172488.pdf](#) (48K)

The photographs and/or line drawings below are representative images of a product for viewing purposes only.

[Product Photo](#)

Searchable Features:

Brand:	AMP
Product Type:	Connector
Product Style:	FC
Mode:	Singlemode
Fiber Size (Micron):	125
Panel Attachment:	No
Hole Size:	125 µm

Other Properties:

Boot Type:	Long
-------------------	------

Cable Diameter (mm [in]):	2.50 [.098]
Connector Style:	Multi-piece/Tunable

[Copyright](#) and [Privacy Statement](#)

Visit [Tyco International, Ltd.](#)

[Products](#) | [Brands](#) | [Industries](#) | [Customer Service](#) | [About](#) | [Home](#)