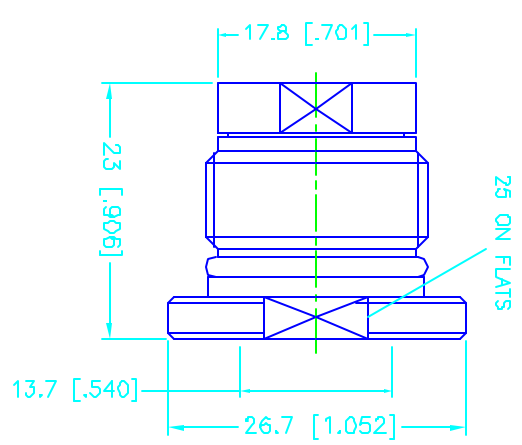
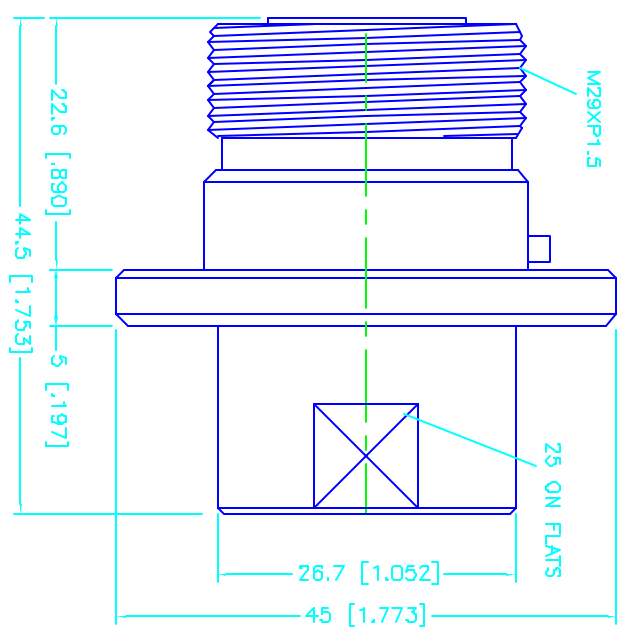
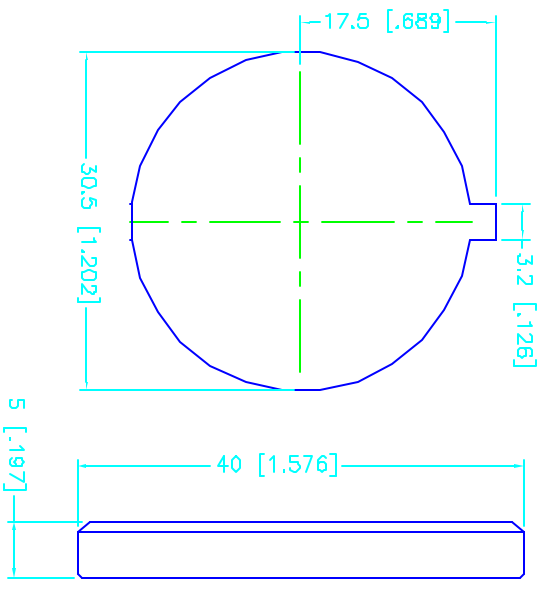
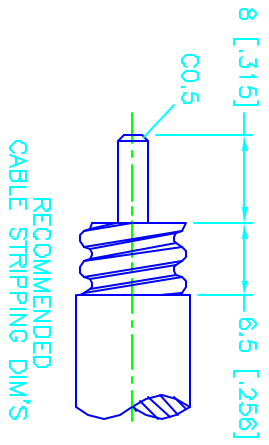


REV.	DATE	DESCRIPTION
NC	08/31/99	INITIAL RELEASE



- NOTES: FINISH (PLATING THICKNESS IN MICRO-INCHES)
1. BRASS PER QQ-B-626
 2. SILVER PL. 120 MIN. THICK OVER COPPER STRIKE
 3. BERYLLIUM COPPER PER QQ-C-530.
 4. SILVER PL. 200 MIN. THICK OVER COPPER STRIKE
 5. TEFLON MIL-P-1946B

DESCRIPTION	MATERIAL	FINISH	UNLESS OTHERWISE SPECIFIED DIMENSIONS IN [] ARE IN INCHES DIMENSIONS ARE IN MILLIMETERS FOR CUSTOMER REFERENCE ONLY	APPROVALS	DATE	TITLE			
1 BODY	BRASS	SILVER	UNLESS OTHERWISE SPECIFIED DIMENSIONS IN [] ARE IN INCHES DIMENSIONS ARE IN MILLIMETERS FOR CUSTOMER REFERENCE ONLY UNLESS OTHERWISE SPECIFIED TOLERANCES FOR MILLIMETERS ARE: 0.5-6 = ± 0.2 6-30 = ± 0.4 30-120 = ± 0.6 120-375 = ± 1 375-1000 = ± 1.6 1000-2000 = ± 2.4	DRAWN	G.R.S.	08/31/99	Comnecx Connector Corporation 7/16 BULKHEAD CLAMP JACK (FOR ANDREW 1/2" FSJ4-50B SUPERFLEX CABLE)		
2 INSULATOR	TEFLON	NATURAL		CHECKED					
3 CONTACT PIN	BER. COPPER	SILVER		ISSUED					
4 NUT	BRASS	SILVER							
5									
6									
7									
8									
DO NOT SCALE DRAWING				SCALE	NA	PART NO.	272161	SHEET	1 OF 1