

7451, LS51, S51 Gates

'51, 'S51 Dual 2-Wide 2-Input AND-OR-Invert Gate
'LS51 Dual 2-Wide 3-Input, 2-Wide 2-Input AND-OR-Invert Gate
Product Specification

Logic Products

FUNCTION TABLE '51, 'S51, 1/2 'LS51

INPUTS				OUTPUT
A	B	C	D	Y
H	H	X	X	L
X	X	H	H	L
All other combinations				H

'LS51

INPUTS						OUTPUT
A	B	C	D	E	F	Y
H	H	H	X	X	X	L
X	X	X	H	H	H	L
All other combinations						H

H = HIGH voltage level
L = LOW voltage level
X = Don't care

TYPE	TYPICAL PROPAGATION DELAY	TYPICAL SUPPLY CURRENT (TOTAL)
7451	11ns	5.7mA
74LS51	12ns	1.1mA
74S51	3.5ns	11mA

ORDERING CODE

PACKAGES	COMMERCIAL RANGE $V_{CC} = 5V \pm 5\%$; $T_A = 0^\circ C$ to $+70^\circ C$
Plastic DIP	N7451N, N74LS51N, N74S51N
Plastic SO	N74LS51D, N74S51D

NOTE:

For information regarding devices processed to Military Specifications, see the Signetics Military Products Data Manual.

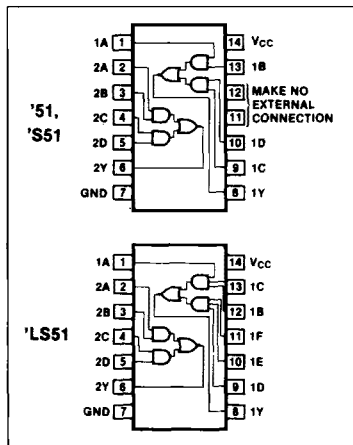
INPUT AND OUTPUT LOADING AND FAN-OUT TABLE

PINS	DESCRIPTION	74	74S	74LS
All	Inputs	1ul	1Sul	1LSul
Y	Output	10ul	10Sul	10LSul

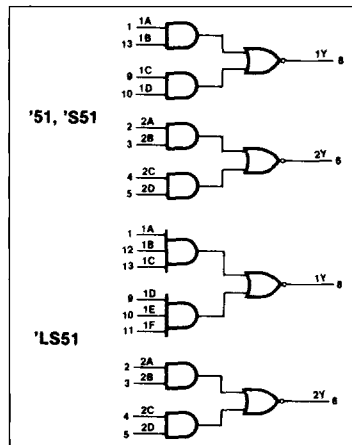
NOTE:

Where a 74 unit load (ul) is understood to be $40\mu A I_{IH}$ and $-1.6mA I_{IL}$, a 74S unit load (Sul) is $50\mu A I_{IH}$ and $-2.0mA I_{IL}$, and 74LS unit load (LSul) is $20\mu A I_{IH}$ and $-0.4mA I_{IL}$.

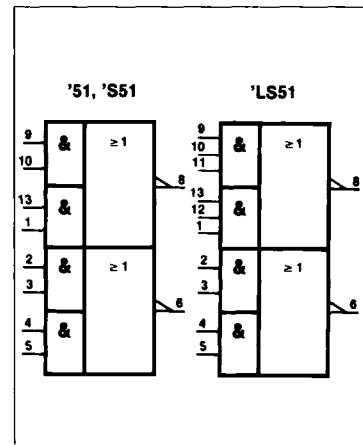
PIN CONFIGURATION



LOGIC SYMBOL



LOGIC SYMBOL (IEEE/IEC)



Gates

7451, LS51, S51

ABSOLUTE MAXIMUM RATINGS (Over operating free-air temperature range unless otherwise noted.)

PARAMETER	74	74LS	74S	UNIT
V _{CC} Supply voltage	7.0	7.0	7.0	V
V _{IN} Input voltage	-0.5 to +5.5	-0.5 to +7.0	-0.5 to +5.5	V
I _{IN} Input current	-30 to +5	-30 to +1	-30 to +5	mA
V _{OUT} Voltage applied to output in HIGH output state	-0.5 to +V _{CC}	-0.5 to +V _{CC}	-0.5 to +V _{CC}	V
T _A Operating free-air temperature range	0 to 70			°C

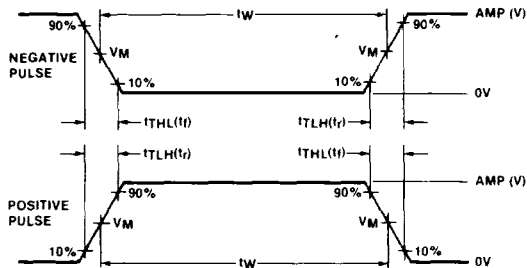
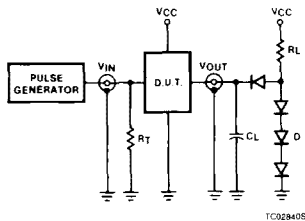
RECOMMENDED OPERATING CONDITIONS

PARAMETER	74			74LS			74S			UNIT
	Min	Nom	Max	Min	Nom	Max	Min	Nom	Max	
V _{CC} Supply voltage	4.75	5.0	5.25	4.75	5.0	5.25	4.75	5.0	5.25	V
V _{IH} HIGH-level input voltage	2.0			2.0			2.0			V
V _{IL} LOW-level input voltage			+0.8			+0.8			+0.8	V
I _{IK} Input clamp current			-12			-18			-18	mA
I _{OH} HIGH-level output current			-400			-400			-1000	μA
I _{OL} LOW-level output current			16			8			20	mA
T _A Operating free-air temperature	0	70		0	70		0	70		°C

NOTE:

V_{IL} = +0.7V MAX for 54S at T_A = +125°C only.

TEST CIRCUITS AND WAVEFORMS



V_M = 1.3V for 74LS; V_M = 1.5V for all other TTL families.

Test Circuit For 74 Totem-Pole Outputs

DEFINITIONS

R_L = Load resistor to V_{CC}; see AC CHARACTERISTICS for value.

C_L = Load capacitance includes jig and probe capacitance; see AC CHARACTERISTICS for value.

R_T = Termination resistance should be equal to Z_{OUT} of Pulse Generators.

D = Diodes are 1N916, 1N3064, or equivalent.

t_{TLH}, t_{THL} Values should be less than or equal to the table entries.

Input Pulse Definition

FAMILY	INPUT PULSE REQUIREMENTS				
	Amplitude	Rep. Rate	Pulse Width	t _{TLH}	t _{THL}
74	3.0V	1MHz	500ns	7ns	7ns
74LS	3.0V	1MHz	500ns	15ns	6ns
74S	3.0V	1MHz	500ns	2.5ns	2.5ns

Gates

7451, LS51, S51

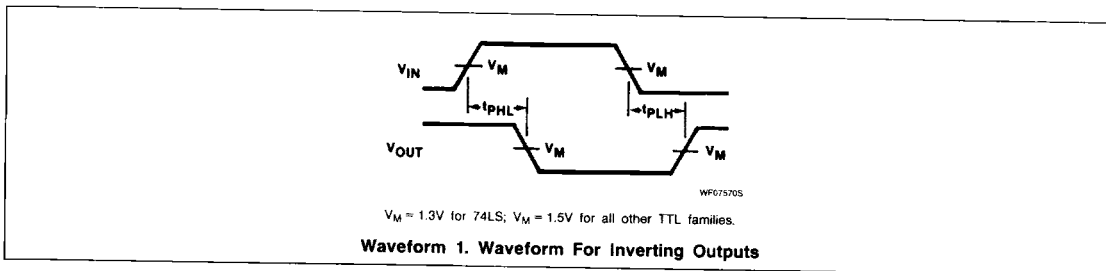
DC ELECTRICAL CHARACTERISTICS (Over recommended operating free-air temperature range unless otherwise noted.)

PARAMETER	TEST CONDITIONS ¹	7451			74LS51			74S51			UNIT	
		Min	Typ ²	Max	Min	Typ ²	Max	Min	Typ ²	Max		
V _{OH} HIGH-level output voltage	V _{CC} = MIN, V _{IL} = MAX, I _{OH} = MAX	2.4	3.4		2.7	3.4		2.7	3.4		V	
V _{OL} LOW-level output voltage	V _{CC} = MIN, V _{IH} = MIN	I _{OL} = MAX		0.2	0.4		0.35	0.5		0.5	V	
		I _{OL} = 4mA (74LS)					0.25	0.4			V	
V _{IK} Input clamp voltage	V _{CC} = MIN, I _I = I _{IK}			-1.5			-1.5			-1.2	V	
I _I Input current at maximum input voltage	V _{CC} = MAX	V _I = 5.5V			1.0					1.0	mA	
		V _I = 7.0V					0.1				mA	
I _{IH} HIGH-level input current	V _{CC} = MAX	V _I = 2.4V			40						μA	
		V _I = 2.7V					20			50	μA	
I _{IL} LOW-level input current	V _{CC} = MAX	V _I = 0.4V			-1.6			-0.4			mA	
		V _I = 0.5V								-2.0	mA	
I _{OS} Short-circuit output current ³	V _{CC} = MAX	-18		-55	-20		-100	-40		-100	mA	
I _{CC} Supply current (total)	V _{CC} = MAX	I _{CCH} Outputs HIGH		4	8		0.8	1.6		8.2	17.8	mA
		I _{CCL} Outputs LOW		7.4	14		1.4	2.8		13.6	22	mA

NOTES:

1. For conditions shown as MIN or MAX, use the appropriate value specified under recommended operating conditions for the applicable type.
2. All typical values are at V_{CC} = 5V, T_A = 25°C.
3. I_{OS} is tested with V_{OUT} = +0.5V and V_{CC} = V_{CC} MAX + 0.5V. Not more than one output should be shorted at a time and duration of the short circuit should not exceed one second.

AC WAVEFORM



AC ELECTRICAL CHARACTERISTICS T_A = 25°C, V_{CC} = 5.0V

PARAMETER	TEST CONDITIONS	74		74LS		74S		UNIT
		C _L = 15pF, R _L = 400Ω		C _L = 15pF, R _L = 2kΩ		C _L = 15pF, R _L = 280Ω		
		Min	Max	Min	Max	Min	Max	
t _{PLH} t _{PHL} Propagation delay	Waveform 1		22 15		20 20		5.5 5.5	ns