

SUBMINIATURE WATERTIGHT SEALED

P6-3
LIMIT SWITCHES

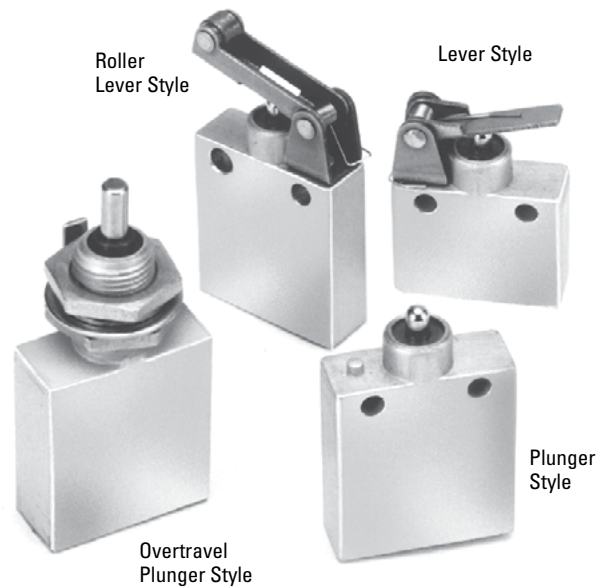
FEATURING OTTO B5 SERIES BASIC SWITCHES

These subminiature sealed switches are contained in a rugged aluminum housing with choice of lever, roller or plunger. Featuring the B5 series basic switch, the P6-3 series is able to switch up to 10 amps. The high contact pressure and superior wiping action of the OTTO design also makes the P6-3 series an excellent choice when switching logic level loads.

Sealing against water and other liquids is per MIL-PRF-8805. Wire leaded models feature potted leads. The solder terminals are epoxy sealed.

Features:

- Compact design
- Watertight to MIL-PRF-8805
- Choice of four actuator styles
- Choice of wire lead or solder termination styles
- Up to 10 amps switching capability
- High contact pressure for low levels
- Precision operating points
- Reach compliant



LIMIT SWITCHES

| Standard Characteristics/Ratings: | | | | | | | | |
|-----------------------------------|---|--------------------|-----------------------------|--------------------|-----------------------------|--------------------|-----------------------------|--------------------|
| ELECTRICAL RATINGS: | Sea Level @ 28VDC | | | | 50,000 feet @ 28VDC | | | |
| | Single Circuit N.O. or N.C. | 2 Circuit Per Pole | Single Circuit N.O. or N.C. | 2 Circuit Per Pole | Single Circuit N.O. or N.C. | 2 Circuit Per Pole | Single Circuit N.O. or N.C. | 2 Circuit Per Pole |
| Load | | | | | | | | |
| Resistive | 10A | 10A | 10A | 10A | 10A | 10A | 10A | 10A |
| Inductive | 7.5A | 5A | 3.5A | 2A | 3.5A | 2A | 3.5A | 2A |
| Motor | 4A | 2A | N/A | N/A | N/A | N/A | N/A | N/A |
| DVV | 1000Vrms | | | | 500Vrms | | | |
| Electrical Life: | 50,000 cycles | | | | | | | |
| Mechanical Life: | 50,000 cycles | | | | | | | |
| OPERATIONAL: | P6-31 | P6-32 | P6-33 | P6-34 | P6-35 | P6-36 | P6-37 | P6-38 |
| Operating Force: | 16 oz max | 40 oz max | 20 oz max | 40 oz max | 32 oz max | 60 oz max | 20 oz max | 48 oz max |
| Release Force: | 4 oz min | 8 oz min | 4 oz min | 8 oz min | 4 oz min | 24 oz min | 4 oz min | 8 oz min |
| Movement Differential: | 0.060" max | 0.020" max | 0.060" max | 0.020" max | 0.080" max | 0.035" max | 0.080" max | 0.040" max |
| Pretravel: | 0.125" max | 0.050" max | 0.125" max | 0.070" max | 0.125" max | 0.050" max | 0.125" max | 0.070" max |
| Overtravel: | 0.025" min | 0.012" min | 0.025" min | 0.187" min | 0.025" min | 0.012" min | 0.025" min | 0.187" min |
| Strength of Actuator: | 10.0 lbs. | 25.0 lbs. | 10.0 lbs. | 25.0 lbs. | 10.0 lbs. | 25.0 lbs. | 10.0 lbs. | 25.0 lbs. |
| Temperature Range: | -55°C to +85°C | | | | | | | |
| Seal: | Enclosure Design 3, watertight per MIL-PRF-8805 | | | | | | | |
| MATERIALS: | | | | | | | | |
| Plunger: | Corrosion resistant steel | | | | | | | |
| Lever: | Corrosion resistant steel (where applicable) | | | | | | | |
| Mounting Hardware: | None provided | | | | | | | |

SUBMINIATURE WATERTIGHT SEALED

P6-3
LIMIT SWITCHES

FEATURING OTTO B5 SERIES BASIC SWITCHES

P6-3 PART NUMBER CODE

Double Pole

P6-3 X X X X X X

Actuator Style

- 5. Lever
- 6. Plunger
- 7. Roller Lever
- 8. Overtravel Plunger

Terminal Style

- 1. Solder Terminals
- 2. Taper Tab, Quick Disconnect
- 3. 1' Potted Leads
- 4. 3' Potted Leads
- 5. 6' Potted Leads

Circuitry

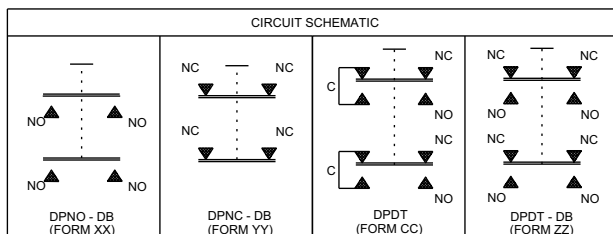
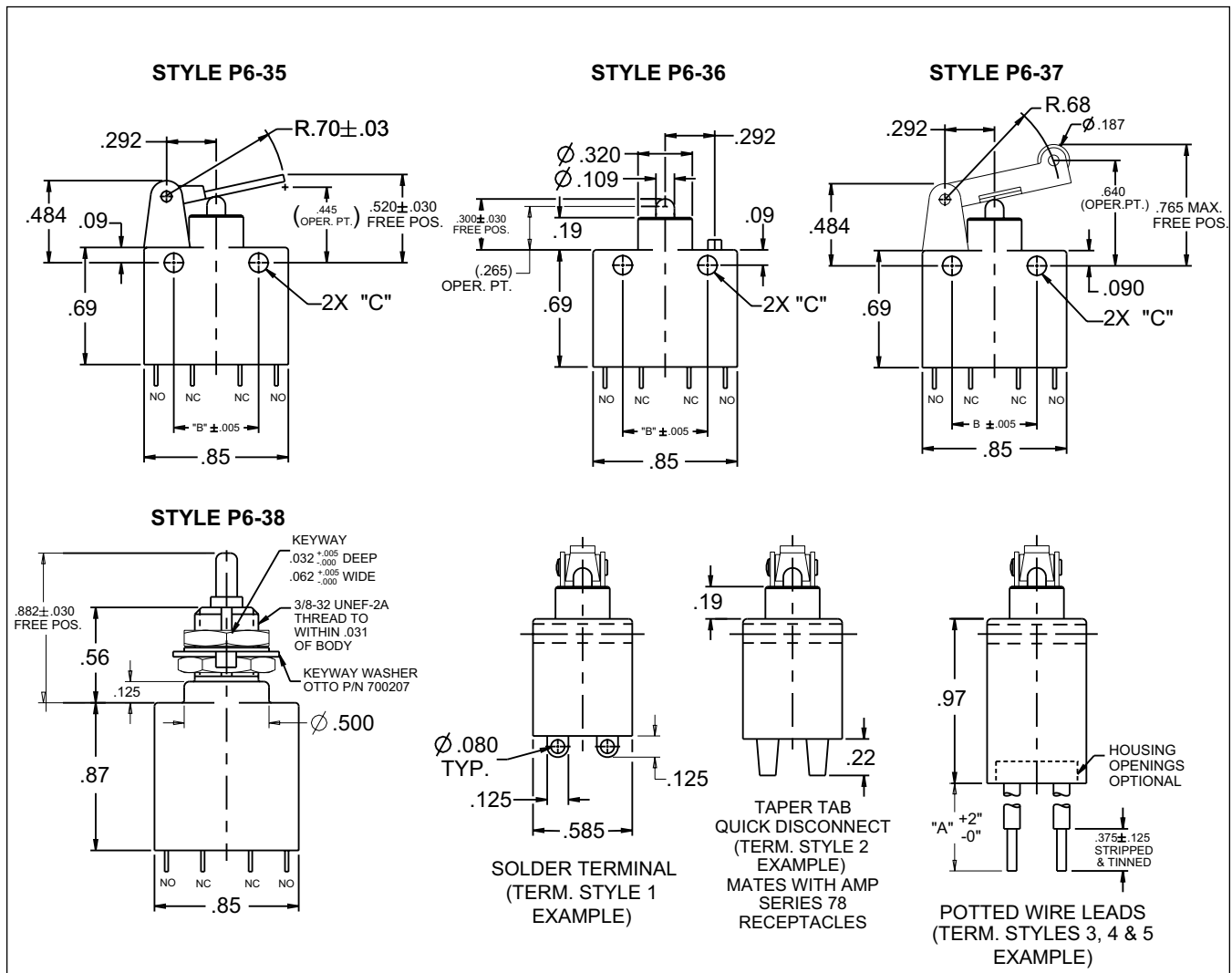
- 1. DPNO-DB, Form XX
- 2. DPNC-DB, Form YY
- 3. DPDT, Form CC
- 4. DPDT-DB, Form ZZ

Mounting Holes (See drawing below.)

- 1. No Holes
- 2. 1/2" Centers for #4-40 Screws
- 4. 3/8" Centers for #2-56 Screws

Serial Digit

- 0. 0 Except for Specials



| POTTED WIRE LEADS | | MOUNTING HOLES: | |
|-------------------|---------|------------------------|------------------------|
| STYLE | DIM "A" | CODE 2 FOR 4-40 SCREWS | CODE 4 FOR 2-56 SCREWS |
| 3 | 12" | .500 | Ø.112 ± .003 |
| 4 | 36" | .375 | Ø.089 ± .003 |
| 5 | 72" | | |

LIMIT SWITCHES