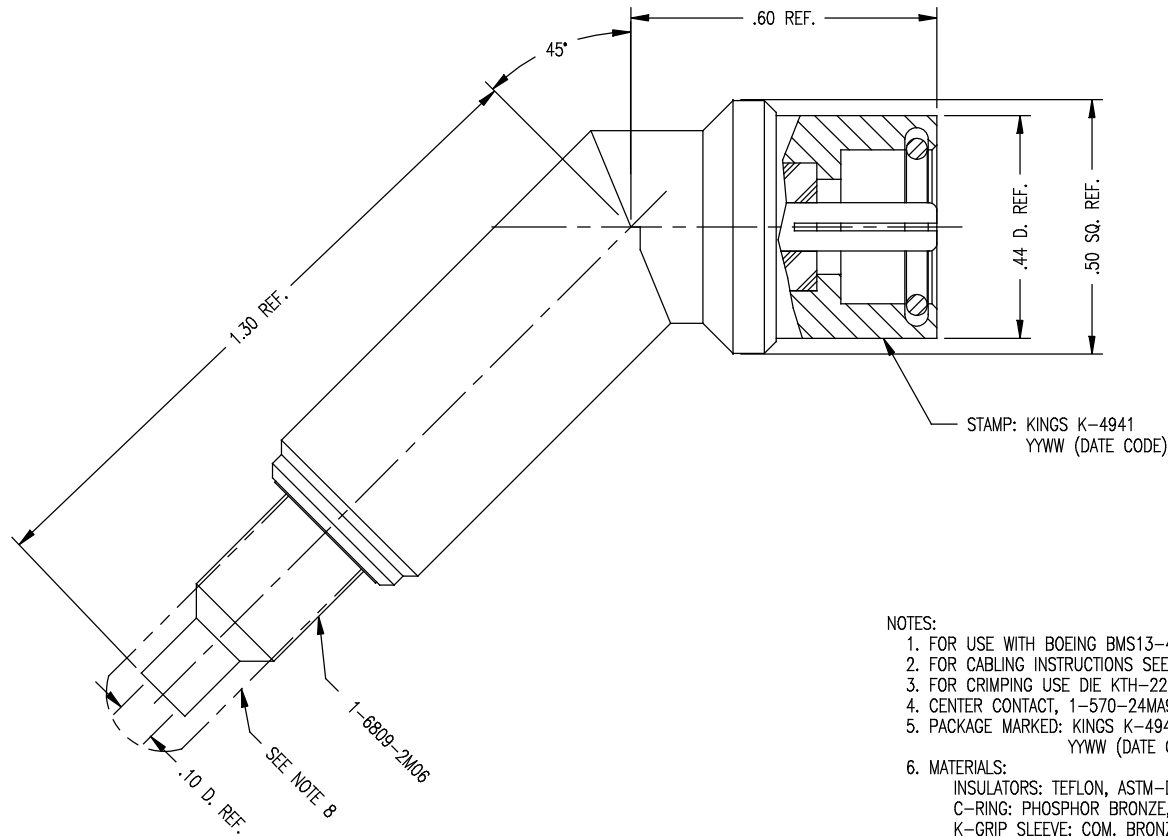


GSD

K-4941



STAMP: KINGS K-4941  
YYWW (DATE CODE)

NOTES:

1. FOR USE WITH BOEING BMS13-48 (E/W48/X II/1-20) CABLE.
2. FOR CABLING INSTRUCTIONS SEE 3-558.
3. FOR CRIMPING USE DIE KTH-2223.
4. CENTER CONTACT, 1-570-24MA9, SUPPLIED UNASSEMBLED.
5. PACKAGE MARKED: KINGS K-4941  
YYWW (DATE CODE)
6. MATERIALS:  
INSULATORS: TEFLON, ASTM-D-1457  
C-RING: PHOSPHOR BRONZE, QQ-B-750  
K-GRIP SLEEVE: COM. BRONZE TUBE, ALLOY 220  
CONTACT F: BER. COPPER, ASTM-B-196  
ALL OTHER METAL PARTS: BRASS, ASTM-B16
7. FINISHES:  
CENTER CONTACTS: HARD GOLD PLATE, PER MIL-G-45204  
ALL OTHER METAL PARTS: KINGS TARNISH RESISTANT FINISH (TR-5)
8. PROTECTIVE CAP TO BE SUPPLIED ASSEMBLED.

REVISIONS

ISSUE	CHANGES
0	ER 34914 JCA 09/07/93
1	CN 36910 B AR 04/08/96
2	CN 37826 A TML 04/20/99

KAM2733

SCALE	4:1		
APPROX SURFACE AREA			
WAS:	E-17926		
USED ON			
REF:			
PL, 45°, SPECIAL			
DRAWN	KH	DATE	04/26/93
DESIGN	CT	DATE	04/27/93
APPR.	JT	DATE	04/28/93

**KINGS**  
ELECTRONICS CO., INC.  
TUCKAHOE, NEW YORK 10707

K-4941

GSD