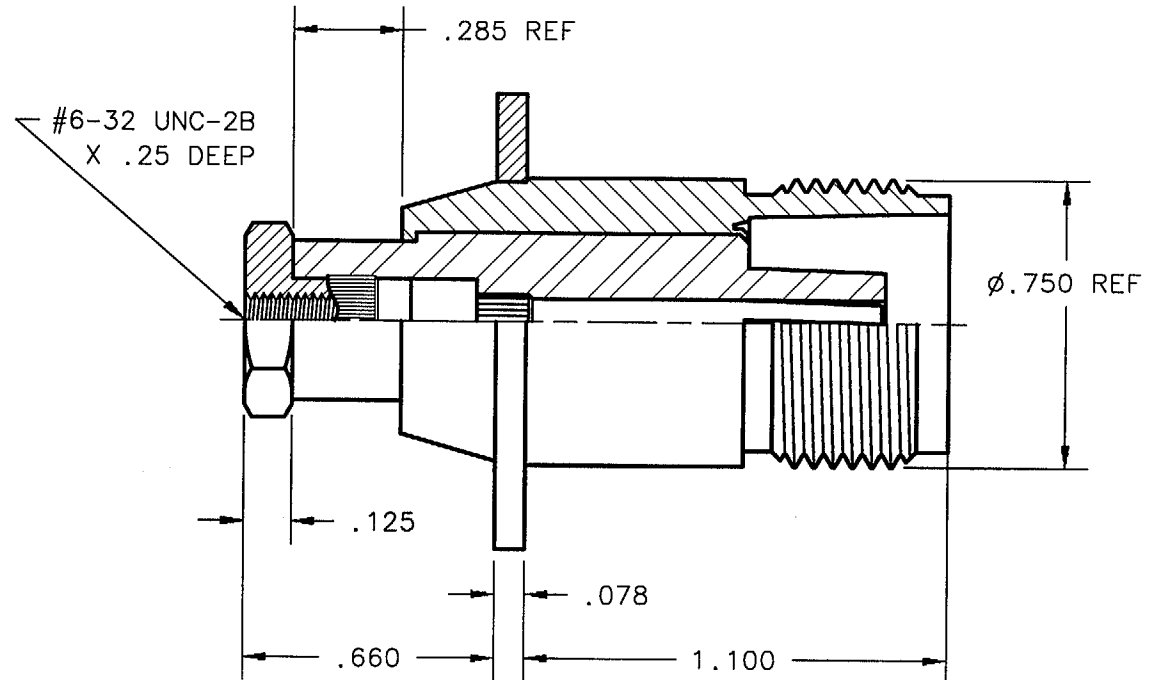
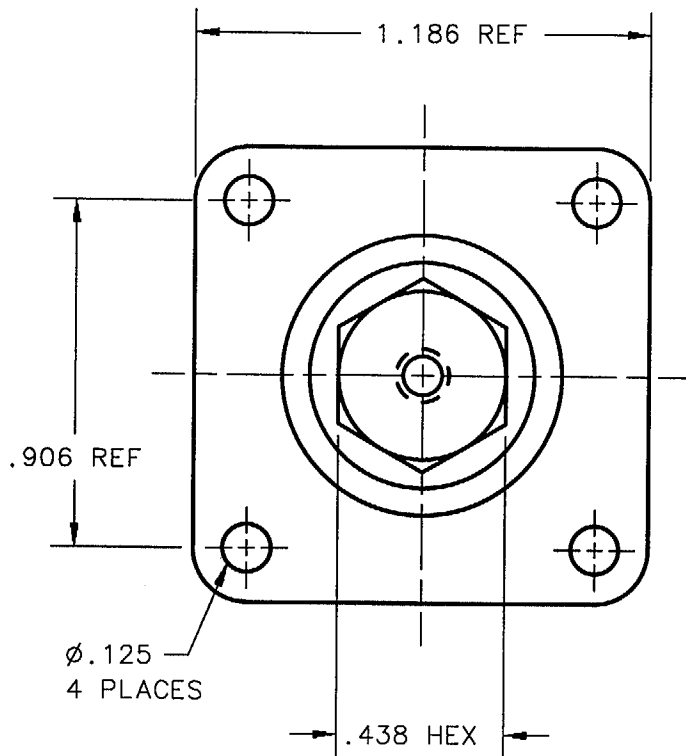


DWG. NO

TRU-8044-SST



MATERIAL

INSULATOR - TEFLON
 FEMALE CONTACT - BERYLLIUM COPPER
 OTHER METAL PARTS - BRASS

FINISH

ALL METAL PARTS - SILVER PLATED



CAGE-92180

TRU-CONNECTOR CORPORATION

245 LYNNFIELD STREET
 PEABODY, MASSACHUSETTS 01960
 phone: 508-532-0775
 fax: 508-531-6993

DESCRIPTION

SERIES "HN"
 RECEPTACLE, PANEL MTG.

DRAWN BY RMK	DATE 12/16/96	SCALE 2/1	CHKD. BY <i>Koch</i>	FILE AS
-----------------	------------------	--------------	-------------------------	---------

REFERENCE AMAT no p/n	DWG. NO. TRU-8044-SST
--------------------------	--------------------------