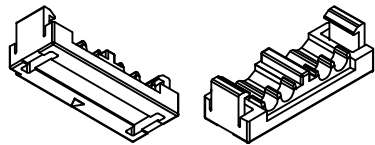


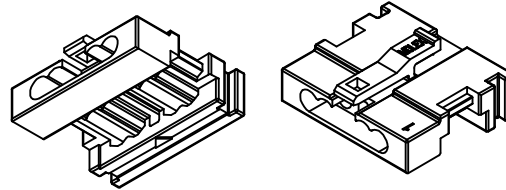
MATERIALS AND FINISHES:

BLOCK: ZYTEL

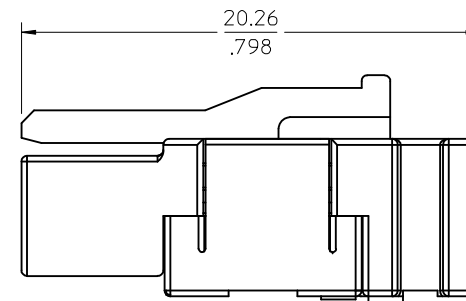
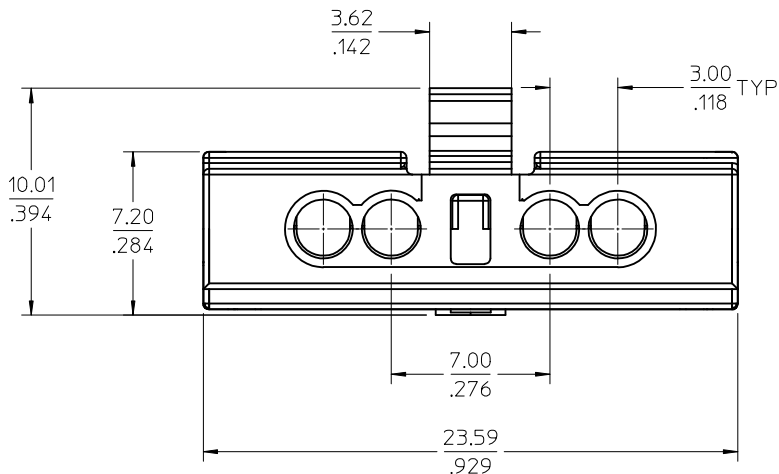
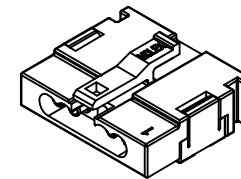
SSMCX PLUG:
SEE SD-73413-610



BLOCK (TOP -- 89527-6300)



BLOCK (BOTTOM -- 89527-6400)

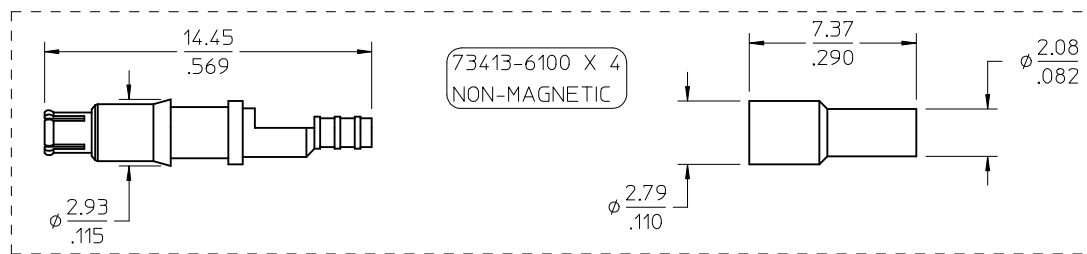


BLOCK DIMENSIONS SHOWN AFTER ASSEMBLY
NOTE: TOP AND BOTTOM BLOCKS SHIPPED
UNASSEMBLED PER TOP VIEWS

NON MAGNETIC

PART #: 73358-0290

(INCLUDES TOP AND BOTTOM
BLOCKS AND 4 CONNECTORS)



73413-6100 X 4
NON-MAGNETIC

REFERENCE SD-73413-610
FOR CABLE ASSEMBLY INSTRUCTIONS.

REFERENCE SD-73358-023 FOR
INSTRUCTIONS ON ASSEMBLING
CONNECTORS INTO BLOCKS

PS-89675-3600	SSMCX GANG PERF SPEC
SPECIFICATION	DESCRIPTION

CHG: INITIAL
EC NO: URF2010-0079
DRWN: JWIENER 2009/08/06
CHKD: SSHAH 2009/08/06
APPR: JWIENER 2009/08/06

QUALITY SYMBOLS
▽=0
▽=0

GENERAL TOLERANCES (UNLESS SPECIFIED)

	mm	INCH
4 PLACES	± .005	± .0002
3 PLACES	± .005	± .0002
2 PLACES	± .005	± .0002
1 PLACE	± .005	± .0002

ANGULAR ± 2°

DRAFT WHERE APPLICABLE
MUST REMAIN
WITHIN DIMENSIONS

DIMENSION STYLE
MM/IN

DRAWN BY	DATE
JDW	2009/08/03
CHECKED BY	DATE
SSS	2009/08/03
APPROVED BY	DATE
JDW	2009/08/03

MATERIAL NO.
SEE TABLE

SIZE
C

SCALE
DESIGN UNITS
METRIC

THIRD ANGLE PROJECTION

TITLE
**SSMCX PLUG GANG NON-MAG
1.20MM/1.18MM CAB 50 OHM
SSMCX-PC, EWR-4156**

MOLEX INCORPORATED

DOCUMENT NO.
SD-73358-029

SHEET NO.
1 OF 1

THIS DRAWING CONTAINS INFORMATION THAT IS PROPRIETARY TO MOLEX
INCORPORATED AND SHOULD NOT BE USED WITHOUT WRITTEN PERMISSION