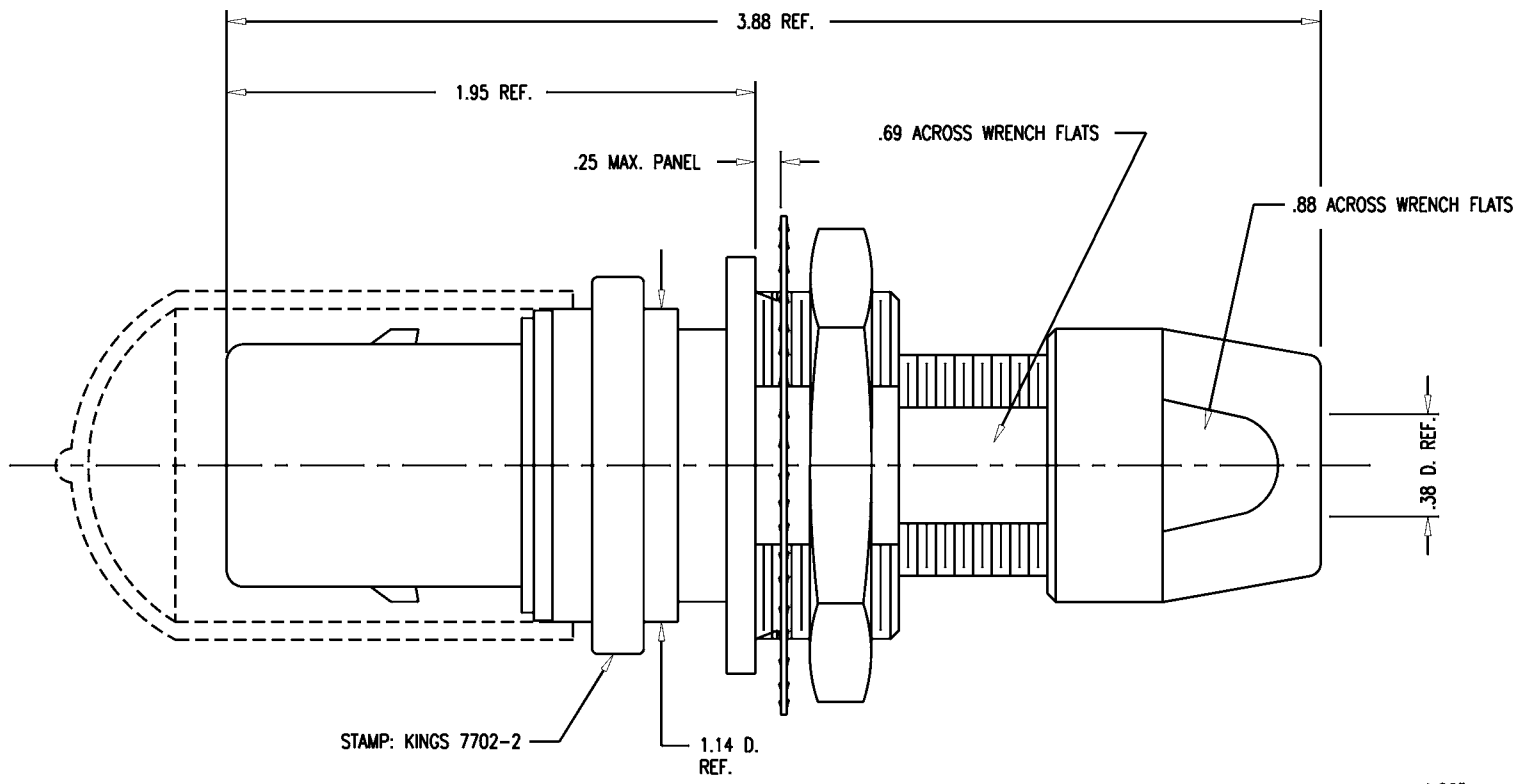


GSD

7702-2

REVISIONS

ISSUE	CHANGES
0	ER 35428 KH 04/13/95



GSD

KAM5549

SCALE 2:1

APPROX SURFACE AREA

USED ON

REF: KP-8012-737-400

PLUG, BULKHEAD, TRI-LOC

SERIAL DIGITAL

DRAWN KH DATE 04/13/95

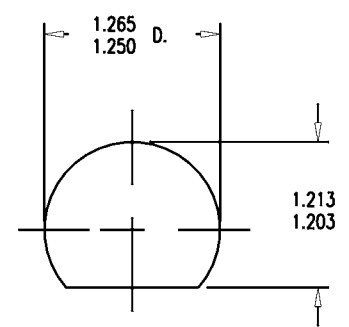
DESIGN DW DATE 04/17/95

APPR. DATE

KINGS

ELECTRONICS CO., INC.
TUCKAHOE, NEW YORK 10707

7702-2



NOTES:

1. FOR USE WITH 730 CABLE GROUPS.
2. FOR CABLING INSTRUCTIONS SEE KAI-8010.
3. FOR CABLE TRIMMING USE KTJ-303 AND KTD-303.
4. FOR CRIMPING USE DIE KTH-2002.

5. MATERIALS:

INSULATORS-TEFLON, ASTM-D-4894
 LOCKWASHER-SPRING STEEL, PER ASTM A682
 CONDUCTIVE GASKET-CONSIL C 87-10004, 60-70 DUROMETER
 GASKETS-SILICONE RUBBER, ZZ-R-765
 CAP-VINYL
 K-GRIP SLEEVE-COMMERCIAL BRONZE, ASTM-B-135
 OUTER CONTACT-PHOSPHOR BRONZE, ASTM-B-103
 BODY-BER. COP., ASTM-B-196
 ALL OTHER METAL PARTS-BRASS, ASTM-B16

6. FINISHES:

CENTER CONTACT-GOLD PLATE PER MIL-G-45204
 LOCKWASHER
 NUTS
 COLLET
 OUTER BODIES
 BODY RING
 ALL OTHER METAL PARTS-SILVER PLATE PER QQ-S-365

} KINGS TARNISH RESISTANT NICKEL FINISH (TR-5)

7. ELECTRICAL CHARACTERISTICS:

NOMINAL IMPEDANCE: 75 OHMS
 FREQUENCY RANGE: DC-500 MHZ
 VOLTAGE BREAKDOWN: CENTER CONDUCTOR/INNER GROUND: 1500 VRMS
 INNER GROUND/OUTER GROUND: 500 VRMS