

MATERIALS AND FINISHES

BODY: BRASS
PLATING: GOLD

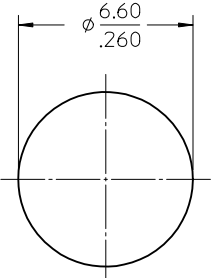
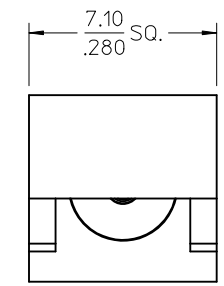
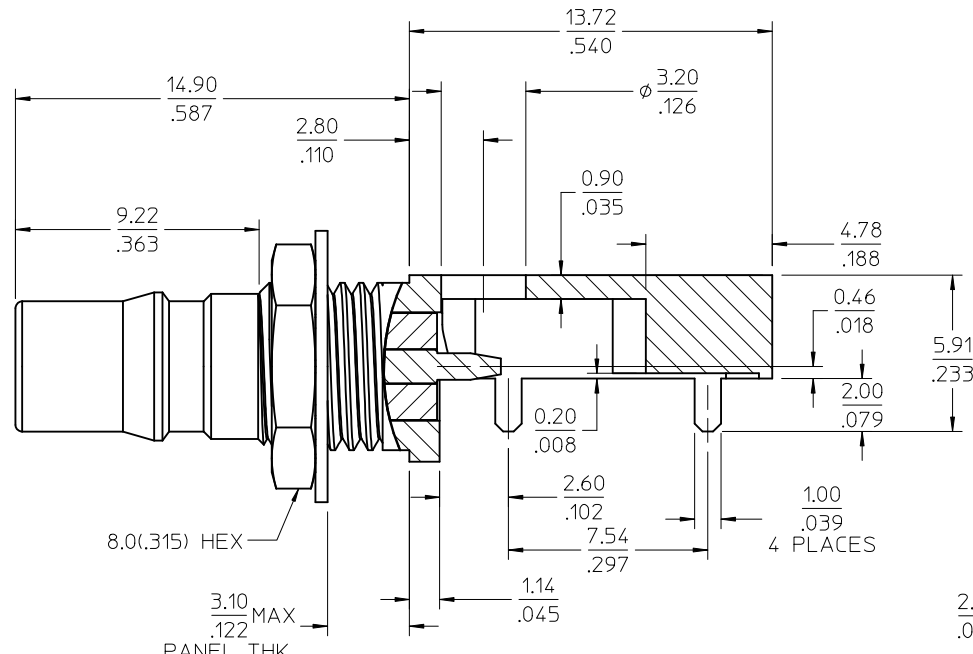
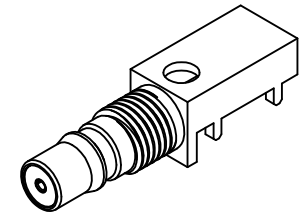
CENTER CONTACT: BRASS
PLATED: GOLD

JAMNUT: BRASS
PLATED: GOLD

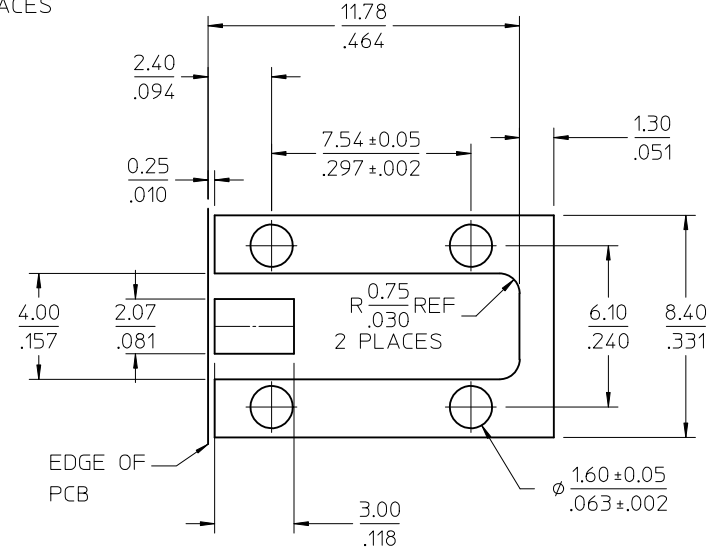
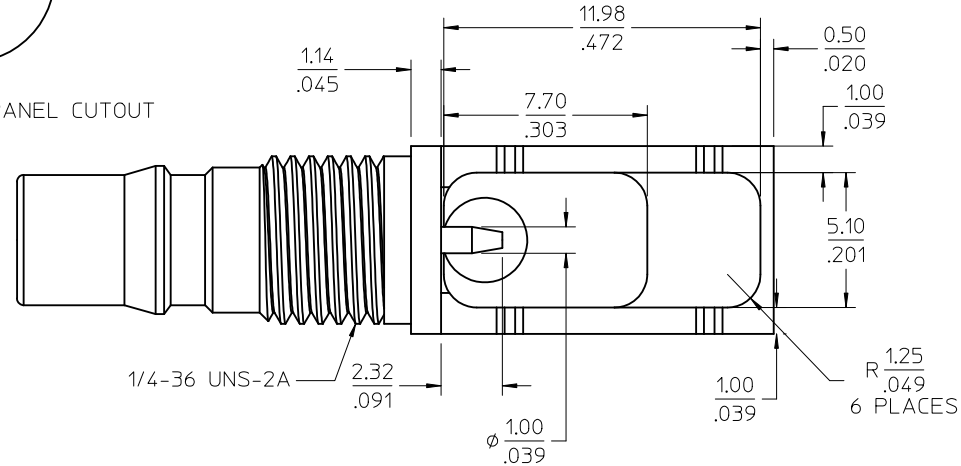
INSULATOR: TEFLON

LOCKWASHER: PHOSPHOR BRONZE
PLATED: GOLD

NOTE: NUT AND WASHER
DELIVERED AS LOOSE PARTS



RECOMMENDED PANEL CUTOUT



RECOMMENDED PCB LAYOUT

73254-5011	73254-5010 TAPE AND REEL (500 PER REEL)
73254-5010	TRAY
PART NO.	PACKAGING

CHG: PLATING FOR JAM NUT AND LOCKWASHER WAS NICKEL EC NO: URF2010-0719 DRW: JWIENER 2010/06/11 CHK: SSS 2010/06/11 APPR: JWIENER 2010/06/11	QUALITY SYMBOLS
	▼=0 ▽=0
DESCRIPTION	

GENERAL TOLERANCES (UNLESS SPECIFIED)															
<table border="1"> <tr> <th></th> <th>mm</th> <th>INCH</th> </tr> <tr> <td>4 PLACES</td> <td>± .005</td> <td>± .0002</td> </tr> <tr> <td>3 PLACES</td> <td>± .005</td> <td>± .0002</td> </tr> <tr> <td>2 PLACES</td> <td>± .005</td> <td>± .0002</td> </tr> <tr> <td>1 PLACE</td> <td>± .005</td> <td>± .0002</td> </tr> </table>		mm	INCH	4 PLACES	± .005	± .0002	3 PLACES	± .005	± .0002	2 PLACES	± .005	± .0002	1 PLACE	± .005	± .0002
	mm	INCH													
4 PLACES	± .005	± .0002													
3 PLACES	± .005	± .0002													
2 PLACES	± .005	± .0002													
1 PLACE	± .005	± .0002													
ANGULAR ± 2 °															
DRAFT WHERE APPLICABLE MUST REMAIN WITHIN DIMENSIONS															

DIMENSION STYLE MM/IN	
DRAWN BY SSS	DATE 2009/04/22
CHECKED BY AZR	DATE 2009/04/22
APPROVED BY JWIENER	DATE 2010/06/11
MATERIAL NO.	SEE TABLE

SCALE METRIC	DESIGN UNITS METRIC	THIRD ANGLE PROJECTION
QMA JACK, PCB, BLKHD 50 OHMS, EWR-4063 QMA-J/PCB		
MOLEX INCORPORATED		SHEET NO. 1 OF 1
DOCUMENT NO. SD-73254-501		
THIS DRAWING CONTAINS INFORMATION THAT IS PROPRIETARY TO MOLEX INCORPORATED AND SHOULD NOT BE USED WITHOUT WRITTEN PERMISSION		