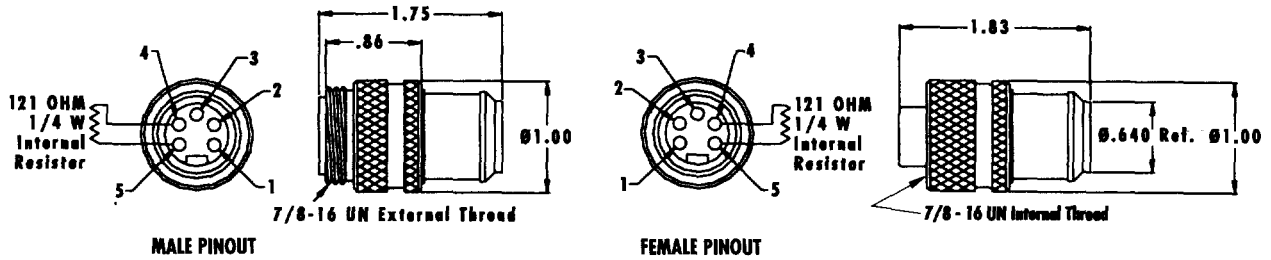
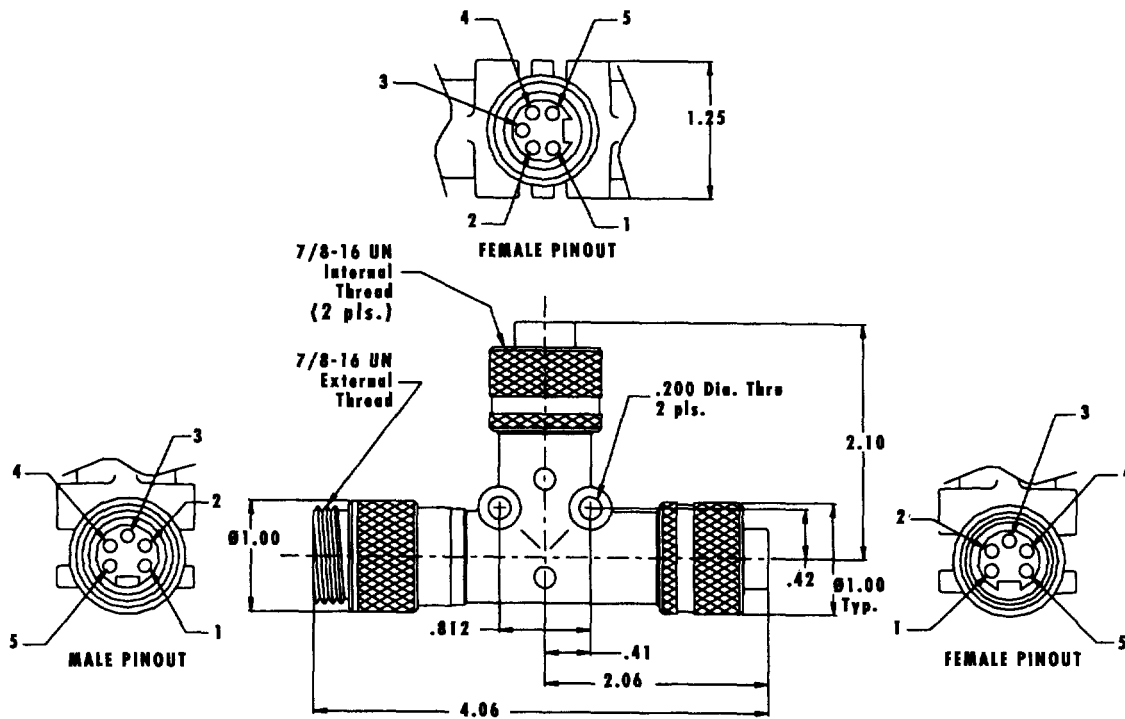


molex® DeviceNet™
MINI-C Terminator
and T-Adaptor
84854



Order No.	Description
84854-9000	Male Terminating Cap
84854-9030	Female Terminating Cap



Order No.	Description
84854-9503	Passive Tee
84854-9504	Diagnostic Tee