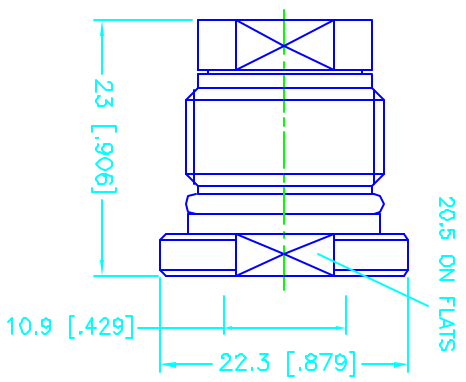
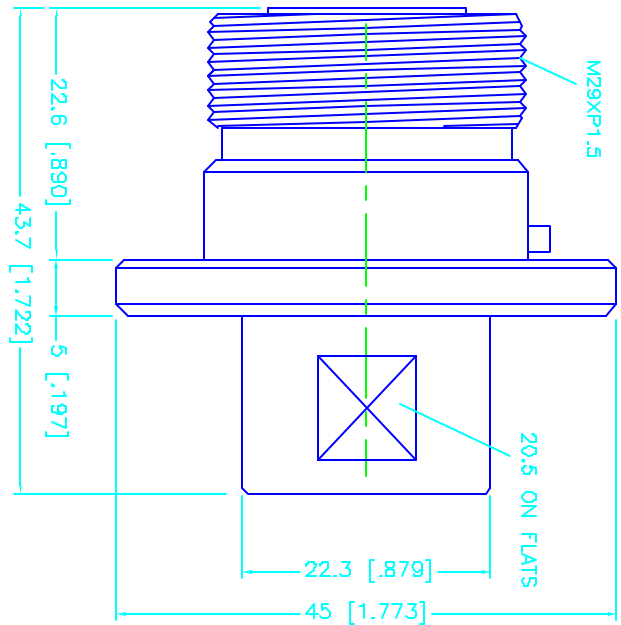
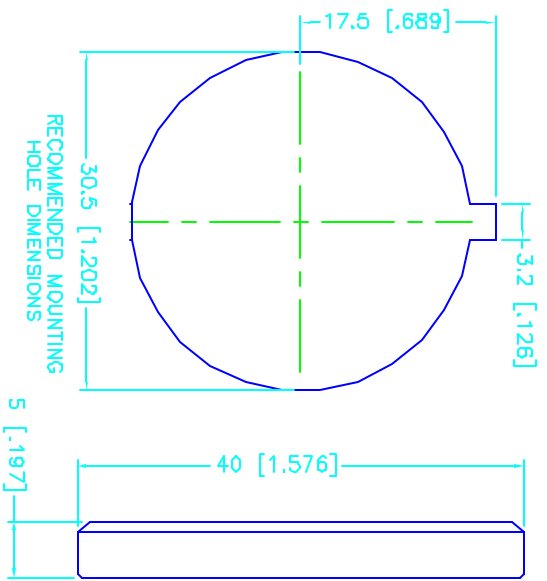
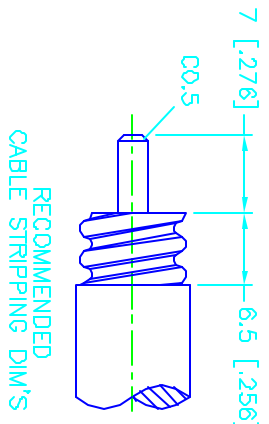


REV.	DATE	DESCRIPTION
NC	08/30/99	INITIAL RELEASE




- NOTES: FINISH (PLATING THICKNESS IN MICRO-INCHES)
1. BRASS PER QQ-B-626
 2. SILVER PL. 120 MIN. THICK OVER COPPER STRIKE
 3. BERYLLIUM COPPER PER QQ-C-530.
 4. SILVER PL. 200 MIN. THICK OVER COPPER STRIKE
 5. TEFLON MIL-P-1946B

DESCRIPTION	MATERIAL	FINISH	UNLESS OTHERWISE SPECIFIED DIMENSIONS IN [] ARE IN INCHES DIMENSIONS ARE IN MILLIMETERS FOR CUSTOMER REFERENCE ONLY	APPROVALS	DATE	TITLE
1 BODY	BRASS	SILVER	UNLESS OTHERWISE SPECIFIED TOLERANCES FOR MILLIMETERS ARE: 0.5-6 = ± 0.2 6-30 = ± 0.4 30-120 = ± 0.6 120-315 = ± 1 315-1000 = ± 1.6 1000-2000 = ± 2.4	DRAWN	G.R.S.	08/30/99
2 INSULATOR	TEFLON	NATURAL		CHECKED		
3 CONTACT PIN	BER. COPPER	SILVER		ISSUED		
4 NUT	BRASS	SILVER				
5						
6						
7						
8						

DO NOT SCALE DRAWING

SCALE	NA	PART NO.	272160	SHEET	1 OF 1
-------	----	----------	--------	-------	--------



Comnex Corporation

7/16 BULKHEAD JACK
(FOR ANDREW 3/8" FSJ2-50 SUPERFLEX CABLE)