

Tous droits strictement réservés. Reproduction ou communication à des tiers interdite sous quelque forme que ce soit sans autorisation écrite du propriétaire. Propriété de c FCI. Droits de reproduction FCI.

All rights strictly reserved. Reproduction or issue to third parties in any form whatever is not permitted without written authority from the proprietor. Property of FCI. Copyright FCI.

PRODUCT NUMBER
25P153

1. PARTS PACKAGED UNASSEMBLED

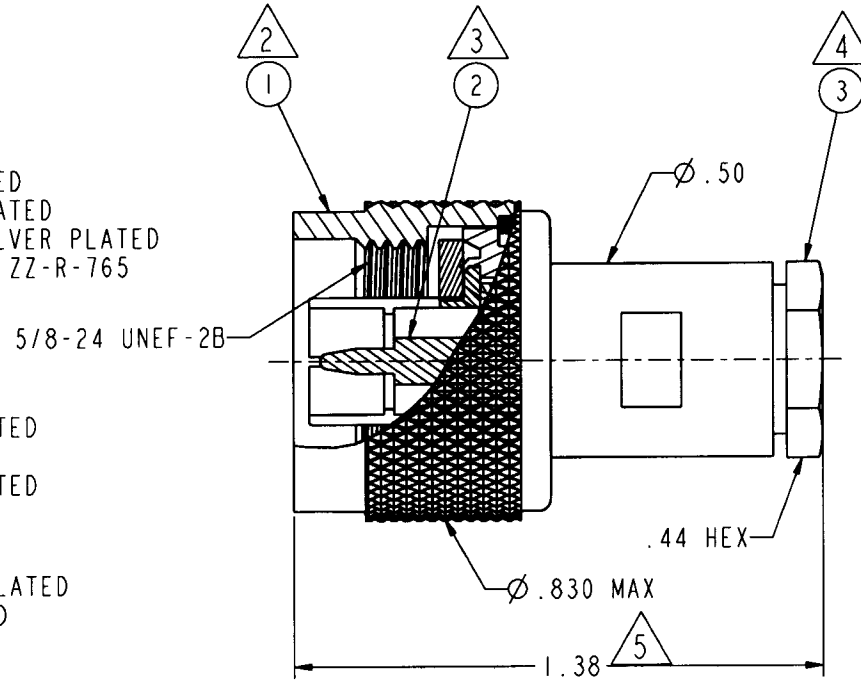
2 BODY ASSEMBLY MATERIALS:
 BODY: BRASS PER ASTM B16, SILVER PLATED
 SLEEVE: BRASS PER ASTM B16, SILVER PLATED
 OUTER CONTACT: BRASS PER ASTM B16, SILVER PLATED
 GASKET: SILICONE RUBBER PER MIL. SPEC ZZ-R-765
 RING: PHOSPHOR BRONZE PER ASTM B103
 INSULATOR: PTFE PER ASTM D1710

3 CONTACT ASSEMBLY MATERIALS:
 CLAMP: BRASS PER ASTM B16, SILVER PLATED
 INSULATOR: PTFE PER ASTM D1710
 CONTACT: BRASS PER ASTM B16, GOLD PLATED

4 NUT ASSEMBLY MATERIALS:
 BUSHING: BRASS PER ASTM B16, SILVER PLATED
 NUT: BRASS PER ASTM B16, SILVER PLATED

5 DIMENSION WHEN FULLY ASSEMBLED

6. ASSEMBLY INSTRUCTION AI-55



OBSOLETE				25P153-6
RD316, RD188, RD179, RD174	NUT ASSEMBLY	CONTACT ASSEMBLY	BODY ASSEMBLY	25P153-5
RG174, RG179, RG316	NUT ASSEMBLY	CONTACT ASSEMBLY	BODY ASSEMBLY	25P153-4
OBSOLETE				25P153-3
RG174, RG179, RG316	NUT ASSEMBLY	CONTACT ASSEMBLY	BODY ASSEMBLY	25P153-2
RG178, RG196	NUT ASSEMBLY	CONTACT ASSEMBLY	BODY ASSEMBLY	25P153-1
CABLE SIZE	QTY = 1	3 QTY = 1	2 QTY = 1	1 PART NUMBER

mat'l code				tolerances unless otherwise specified		CUSTOMER		FCI ELECTRONICS www.fciconnect.com	
lfr	ecr no.	dr	date	linear	.XX ± .02	COPY		title N PLUG STRAIGHT CUT FOR SMALL CABLES	
B	V00688	RS	5/16/00	angles	.XXX ± .005	projection		product family RF, N SERIES code 213	
				dr	.XXXX ± .0005	INCH		size dwg no 25P153 sheet 1 of 1	
				enrg	0° ± 1°	scale 2:1			
				chr	R. SHIREY 5/16/00				
				appd	J. CABARLO 5/16/00				
					J. CABARLO 5/16/00				
					R. FISHER 5/16/00				
sheet index	revision	B							
	sheet	I							

Pro/E

cage code 22526

PDM: Rev:B

STATUS: Released

Printed: Oct 22, 2004