

MATERIALS AND FINISHES

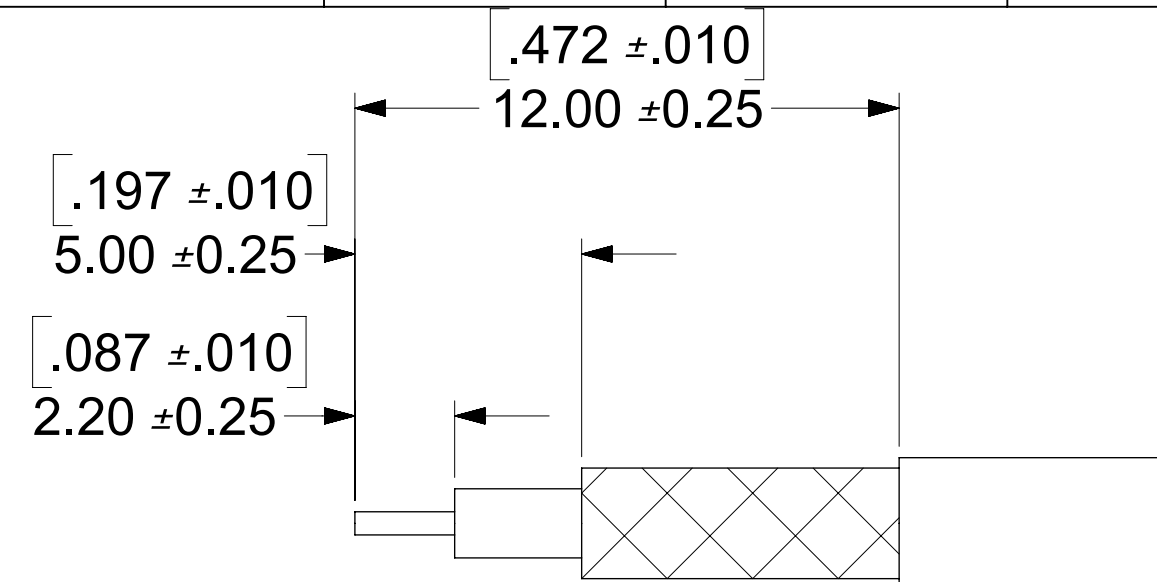
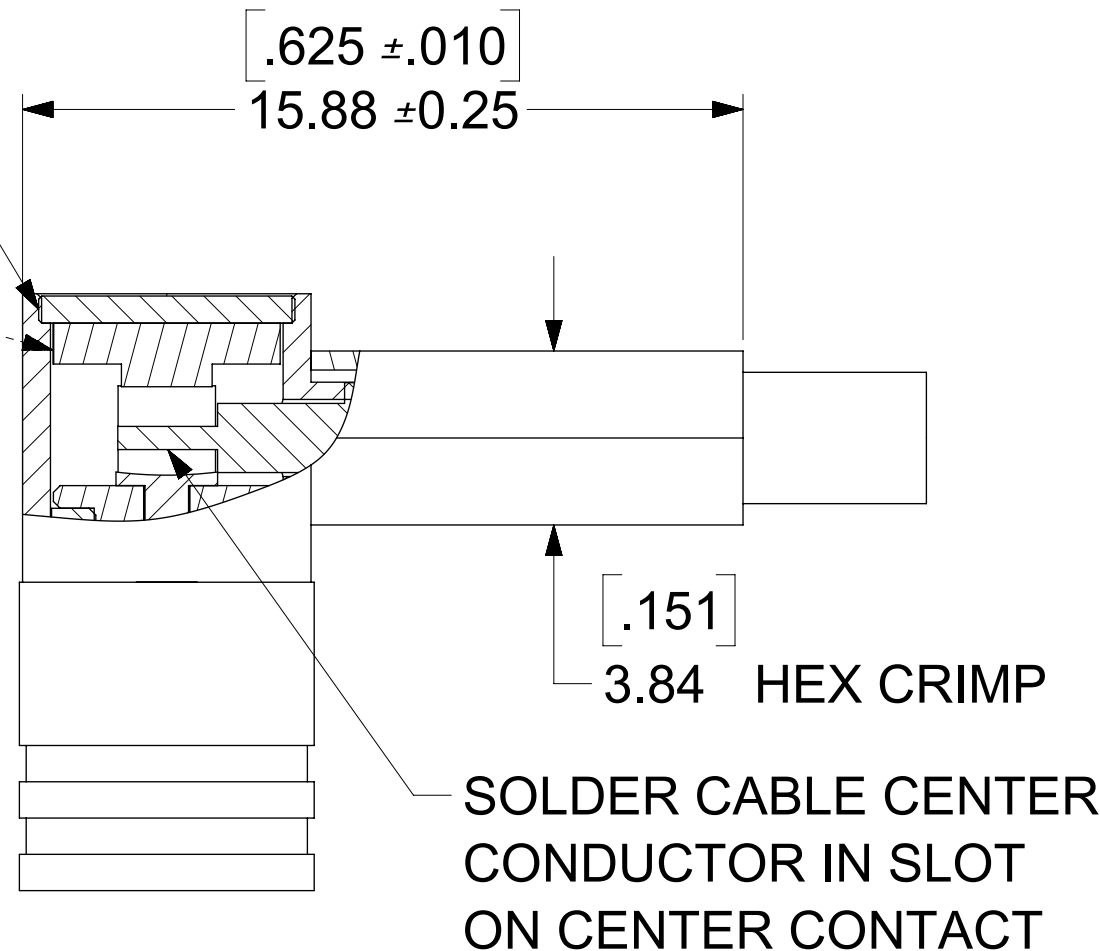
BODY, FERRULE, CAP: BRASS
PLATED: SEE TABLE

CENTER CONTACT: BERYLLIUM COPPER
PLATED: SEE TABLE

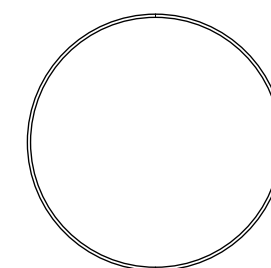
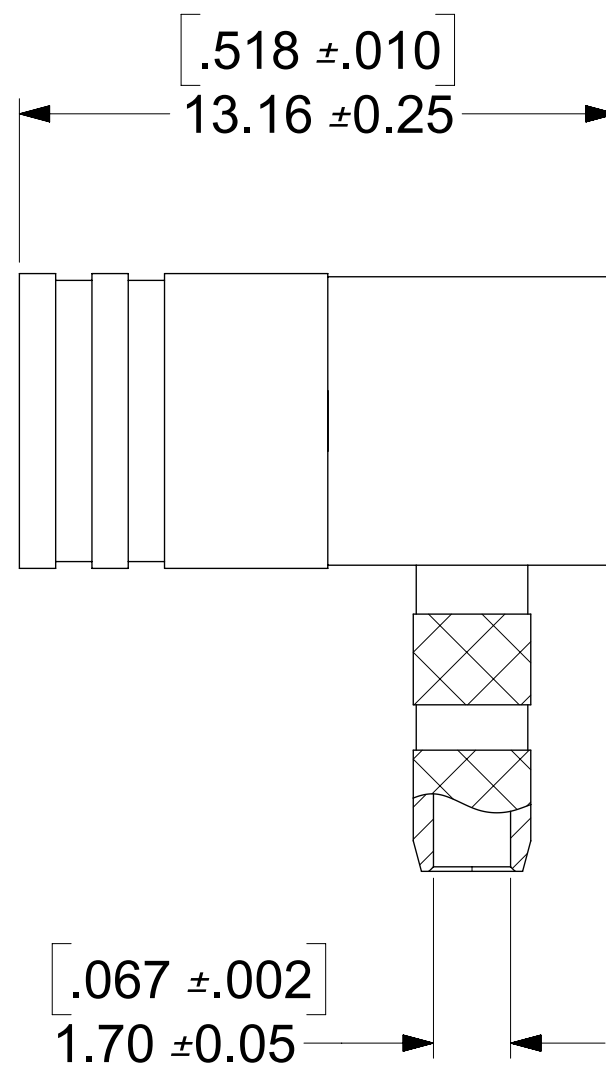
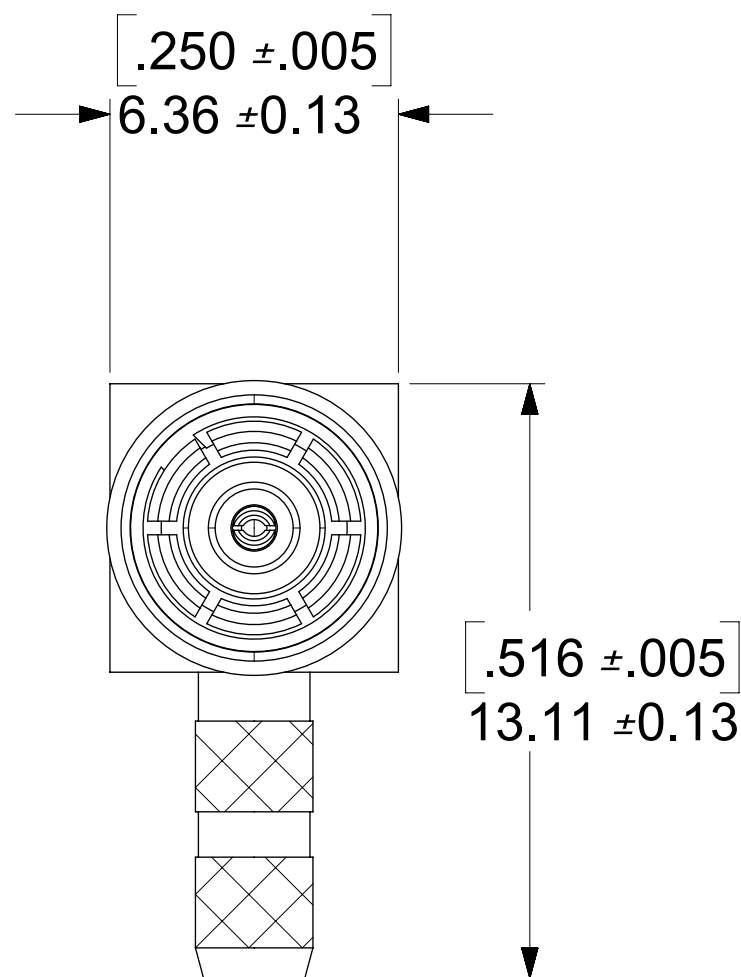
INSULATOR: TEFLON

RETAINING RING: BERYLLIUM COPPER
PLATED: SEE TABLE

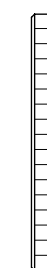
PRESS INSULATOR
AND CAP INTO BODY
AS SHOWN



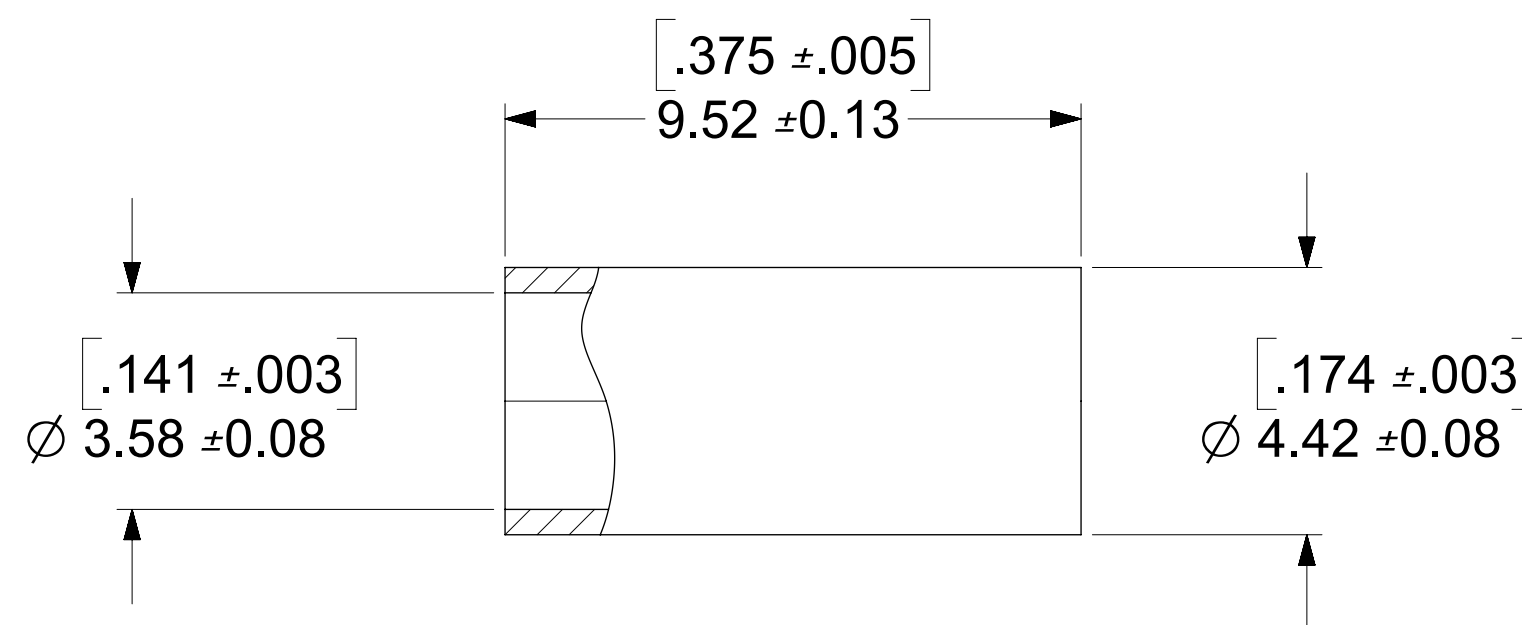
RECOMMENDED STRIP DIMENSIONS



CAP



INSULATOR



FERRULE

| | |
|------------|--|
| 73404-0295 | NICKEL / GOLD OVER NICKEL / NONE |
| 73404-0294 | SAME AS 73404-0292 WITHOUT CAP, INSULATOR, FERRULE |
| 73404-0293 | Au OVER Ni (30 MICROINCH)/Au OVER Ni (30 MICROINCH)/NICKEL |
| 73404-0292 | NICKEL/ GOLD (30 MICROINCH) OVER NICKEL / NICKEL |
| 73404-0291 | GOLD OVER NICKEL / GOLD OVER NICKEL / NONE |
| 73404-0290 | NICKEL / GOLD OVER NICKEL / NONE |
| PART NO. | BODY, FERRULE, CAP/CONTACT/RETAINING RING |

| | |
|---------------|-----------------------|
| PS-89675-3540 | PRODUCT SPECIFICATION |
| SPECIFICATION | DESCRIPTION |

| | | | | | |
|---|---|--|-----------------|------------------------|---|
| QUALITY SYMBOLS ▽ = 0 ▽ = 0 ▽ = 0 ▽ = 0 ▽ = 0 ▽ = 0 ▽ = 0 ▽ = 0 ▽ = 0 ▽ = 0 | THIS DRAWING CONTAINS INFORMATION THAT IS PROPRIETARY TO MOLEX ELECTRONIC TECHNOLOGIES, LLC AND SHOULD NOT BE USED WITHOUT WRITTEN PERMISSION | GENERAL TOLERANCES (UNLESS SPECIFIED) | DIMENSION UNITS | SCALE | molex |
| | | | MM | | |
| PDR16112358 EC NO: 111523 DRWN: JSU18 CHKD: YCHENG REV / APPR: YCHENG | 2016/11/08 2017/05/08 | ANGULAR TOL ± | DRWN BY | DATE | SMB PLUG RA RD316 50 OHMS EWR-2444 SMB-PC/RA |
| | | 4 PLACES ± | AROBERTSON | 2012/05/23 | |
| A9 | A9 | 3 PLACES ± | CHKD BY | DATE | PRODUCT CUSTOMER DRAWING |
| | | 2 PLACES ± | | | |
| | | 1 PLACE ± | APPR BY | DATE | SERIES |
| | | 0 PLACES ± | JWIENER | 2012/05/23 | 73404 |
| | | DRAFT WHERE APPLICABLE MUST REMAIN WITHIN DIMENSIONS | DRAWING SIZE | THIRD ANGLE PROJECTION | MATERIAL NUMBER |
| | | | C | | GENERAL MARKET |
| | | | | | DOCUMENT NUMBER |
| | | | | | SD-73404-029 |
| | | | | | DOC TYPE |
| | | | | | PSD |
| | | | | | DOC PART |
| | | | | | 000 |
| | | | | | SHEET NUMBER |
| | | | | | 1 OF 1 |