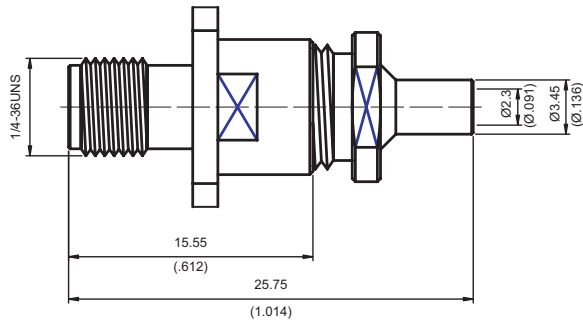
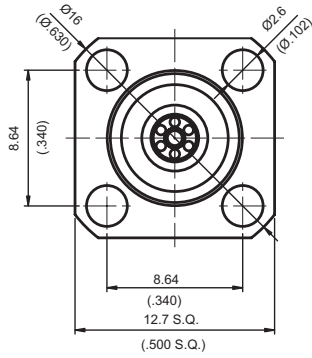
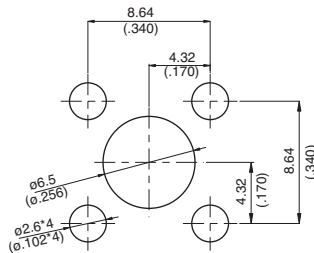


K8346-0085

K Jack Solder Clamp For Panel Receptacle 50Ω



MOUNTING HOLE:



Parts	Material	Plating (Micro-inch)
Nut	Stainless Steel	Passivated
Solder Type	Brass	Gold 5 over Nickel 50 over Copper 50
Ferrule	Stainless Steel	Passivated
Contact Pin	Beryllium Copper	Gold 20 over Nickel 50 over Copper 50
Insulator	P.P	
Body	Stainless Steel	Passivated

Weight: 4.11 g

Suitable Cables: Semi-rigid.0085

This part number complies with RoHS.

Notice: JYEBAO reserves the right to make modifications deemed appropriate.

